



Madan Technologies
 Maagan Michael
 D. N. Menashe
 3780500 Israel

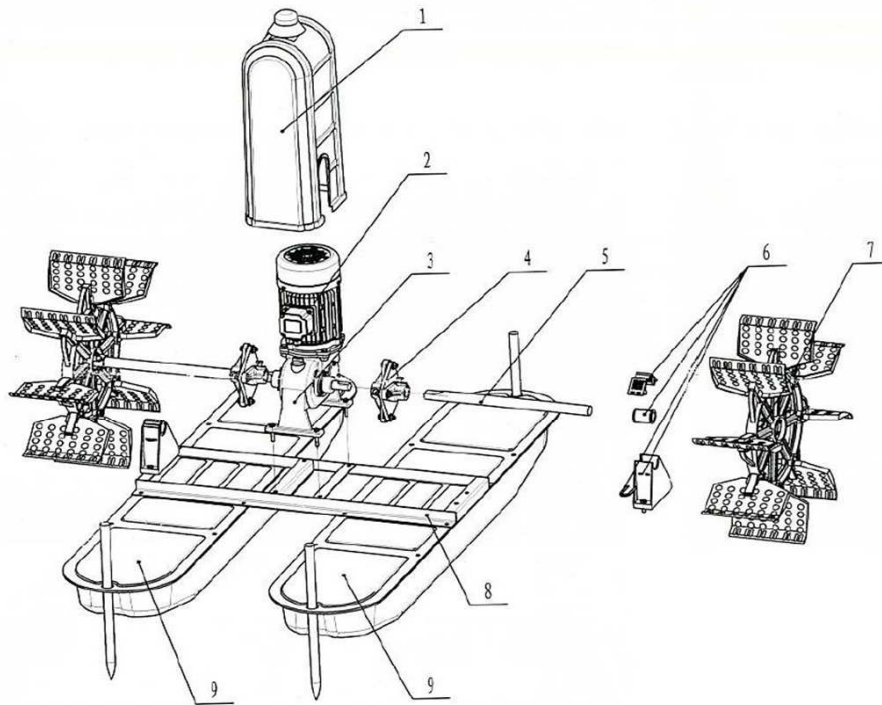
Tel: +972-4-6243353
 Fax: +972-4-6243366
 sales@madantec.com
 www.madantec.com



Paddlewheel Aerators						
MODEL	Rated Power	Phase	Voltage	Rated Frequency:	Speed (rpm)	Length (cm)
1HP PADDLEWHEEL -2 IMP	0.75Kw	1PH / 3PH	110V/220V/240V 440V/460V/480V	50Hz/60Hz	1420 Rpm/1750 Rpm	155 cm



PART LIST	UNIT PER AERATOR
MOTOR	1
GEARBOX	1
PLASTIC MOTOR COVER	1
FLOAT	2
FRAME for 2 IMP'	1
SS SHAFT 2 IMP'	2
SHAFT CONNECTOR	2
IMPELLER	2
BEARING & SHAFT SUPPORT	2
BOLT&NUT SET	1



1. MOTOR COVER
2. MOTOR
3. REDUCER
4. MOVABLE JOINT
5. SHAFT
6. PLASTIC BEARING
7. IMPELLER+BOSS
8. FRAME
9. FLOATER