



Madan Technologies
 Maagan Michael
 D. N. Menashe
 3780500 Israel

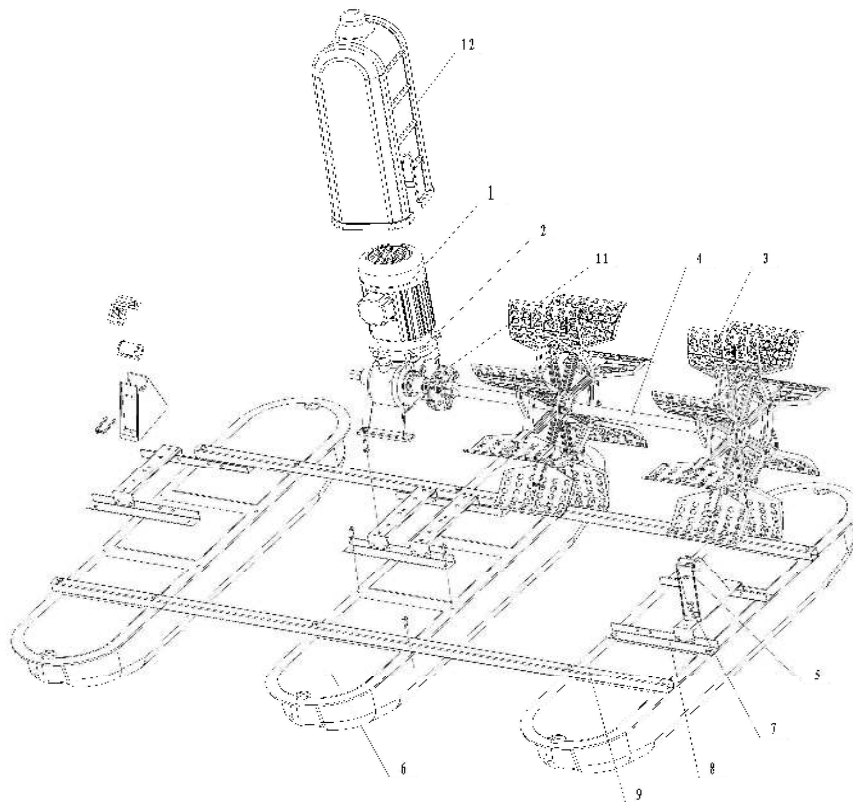
Tel: +972-4-6243353
 Fax: +972-4-6243366
 sales@madantec.com
 www.madantec.com



Paddlewheel Aerators						
MODEL	Rated Power	Phase	Voltage	Speed (rpm)	Hz	Length (cm)
2HP PADDLEWHEEL - 4 IMP	1.5Kw / 2HP	3PH	220V/240V/380V/440V/460V	1420 Rpm	50Hz/60Hz	200 cm



PART LIST	UNIT PER AERATOR
MOTOR	1
GEARBOX	1
PLASTIC MOTOR COVER	1
FLOAT	3
FRAME SET for 4 IMP	1
SS SHAFT 4 IMP	2
SHAFT CONNECTOR	2
IMPELLER	4
BEARING & SHAFT SUPPORT	2
BOLT&NUT SET	1



1. MOTOR
2. REDUCER
3. IMPELLER
4. SHAFT
5. PLASTIC BEARING
6. FLOAT
7. SCREWS
8. FRAME
9. SQUARE PIPE
11. MOVABLE JOINT
12. MOTOR COVER