



Madan Technologies
Maagan Michael
D. N. Menashe
3780500 Israel

Tel: +972-4-6243353
Fax: +972-4-6243366
sales@madantec.com
www.madantec.com



PADDLEWHEEL AERATOR						
MODEL	POTENCIA	PHASES	VOLTAGE	FRECUENCIA	RPM	DOBLE VOLTAGE
SPLASH AERATOR	1.1Kw/1.5Kw	3PH	220V/240V/380V/440V/460V	50Hz/60Hz	1700Rpm	no

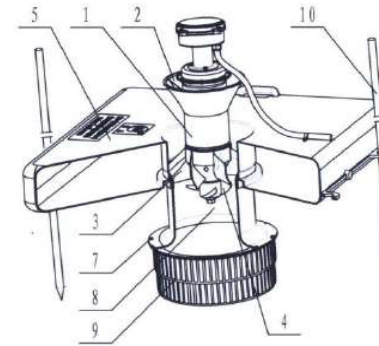
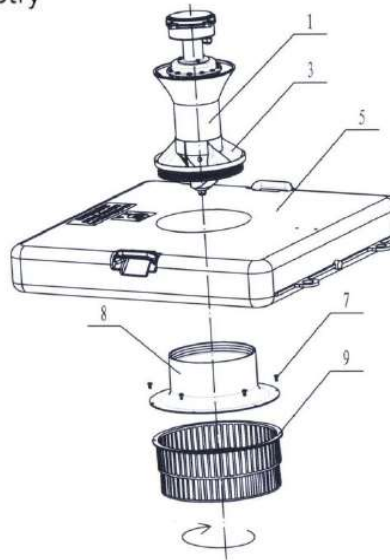
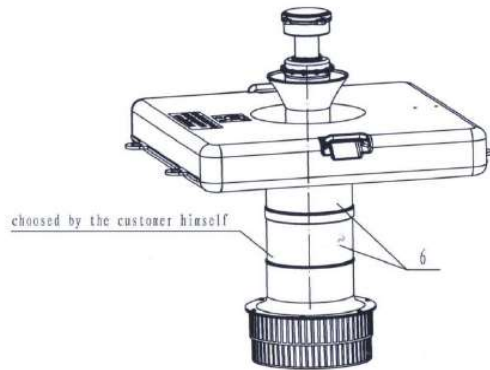
LISTA DE PARTES	UNIDAD POR AIREADOR
MOTOR WITH SS304 HOUSING	1
JET PLASTIC COMPONENT	1
HDPE FLOAT-SQUARE	1
PLASTIC WATER SPREADER	1
PLASTIC IMPELLER	1
PLASTIC BUGLE PIPE	1
PLASTIC GRID	1
BOLT SETS	1



Madan Technologies
Maagan Michael
D. N. Menashe
3780500 Israel

Tel: +972-4-6243353
Fax: +972-4-6243366
sales@madantec.com
www.madantec.com

SPLASH AERATOR



1. Connect the bugle pipe(8) and grid(9) firstly,then insert the motor to the float and tight them by the assembled bugle pipe and grid.
2. Please install the whole set aerator on the bank at one time,and connect the cable and earth wire, then put the product into the water, run by electricity. Please pay more attention that the turning way for impeller is clockwise
3. the protector installed inside the motor. It will cut down automaticall to protect the motor from burning once facing the low voltage,lacking one phase for three phase or imbalance phased. It will be resumed automaticaly in one hour.

(No.)	(Name)	(Material)
1	Motor	Stainless steel cover
2	Jet part	Plastic
3	Water spreader	Plastic
4	Impeller	Plastic
5	Float	HDPE
6	Straight pipe(Selected By Customer Himself)	Plastic
7	Bolt	Stainless steel
8	Bugle pipe	Plastic
9	Grid	Plastic
10	Setting bar(Purchase by customer)	Galvanization Steel Tube