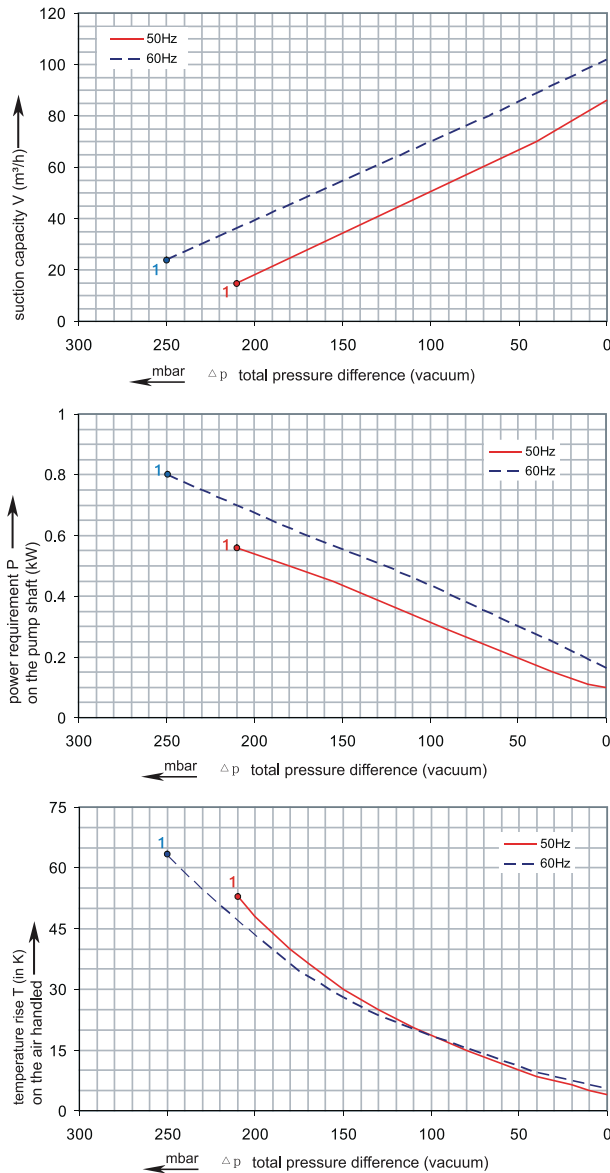


# RENOVA

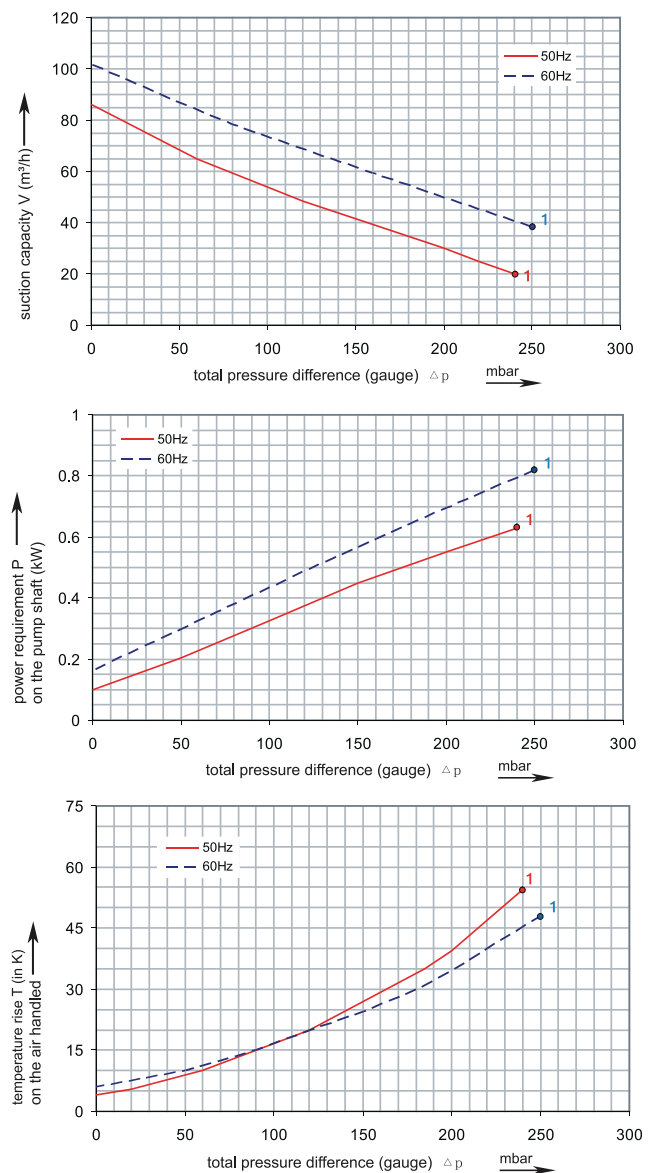
## 2RSC 28-32

Performance curve for Vacuum pump



## 2RSC 28-32

Performance curve for Compressor



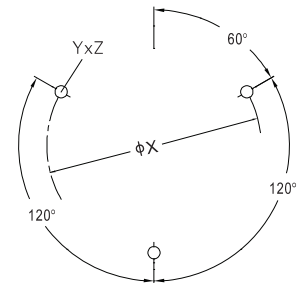
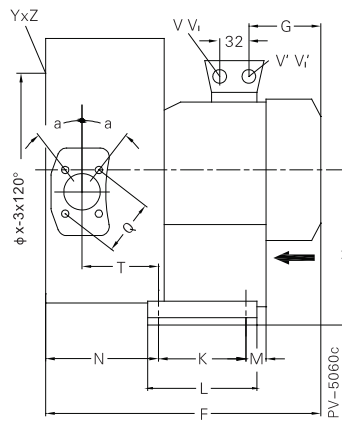
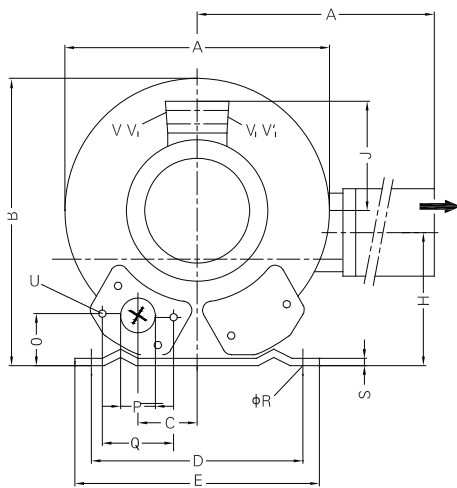
The performance curves are based on air at a temperature of 15 °C and an atmospheric pressure of 1013 mbar with a tolerance of +/- 10%. The total pressure differences are valid for suction and ambient temperatures up to 25 °C. For other conditions please confer with us.

Each RSC type can be applied both as vacuum pump and compressor in continuous operation over the total stated performance curve range. The motors are available as standard for the input voltage range of 50 and 60 Hz and for protection category IP 55.

# RENOVA

## 2RSC 28-32

Curve No.	Model	Freq. (Hz)	Power (KW)	Max. Flow (m3/h)	Max. Vacuum (mbar)	Max. Pressure (mbar)	Voltage (V)	Current (A)	Inlet / Outlet	Noise (dBA)	Weight (Kg)
1	2RSC28/32 0.7T	50	0.70	85	-210	240	220-240Δ / 345-415Y	3.8Δ / 2.2Y	G 1¼"	55	15
		60	0.83	102	-250	250	220-240Δ / 380-480Y	3.7Δ / 2.1Y		61	



Model	A	A'	B	C	D	E	F	G	H	H'	J	K	L	M	N	O	ØP
2RSC28/32 0.7T	284	316	270	45	205	230	316	135	128	106	111	83	108	75	130	39	1¼"