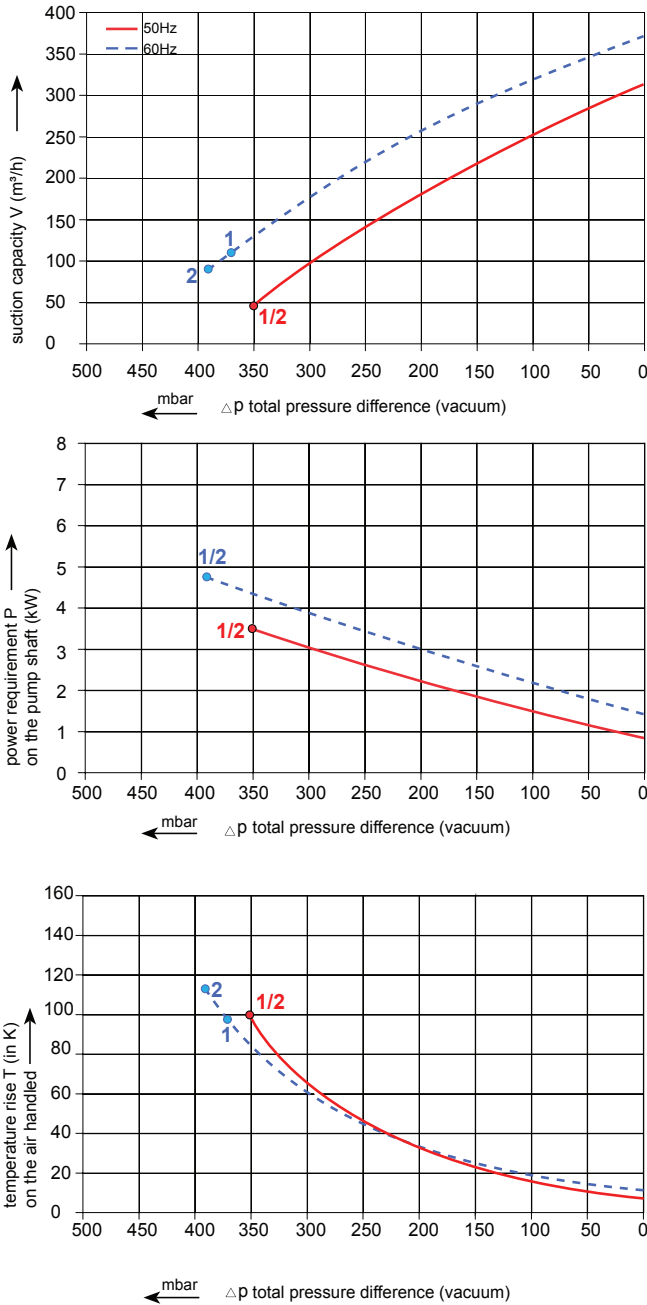


# RENOVA

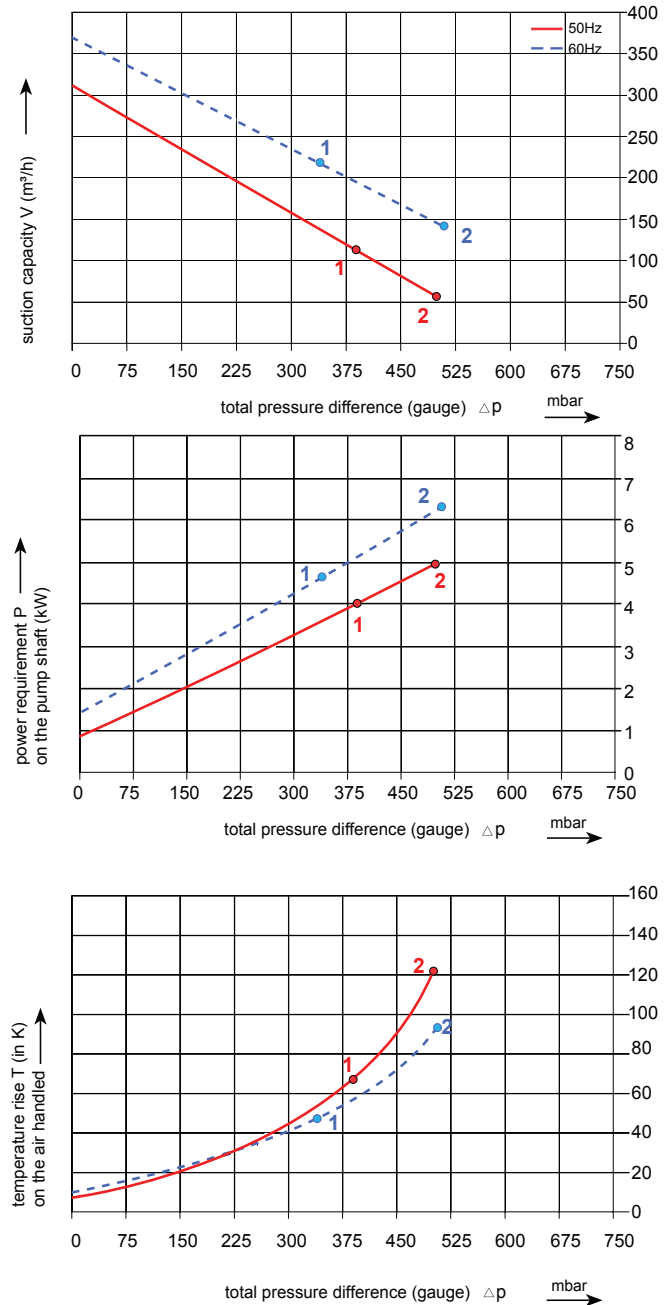
## 3RSC 350-1/65

Performance curve for Vacuum pump



## 3RSC 350-1/65

Performance curve for Compressor



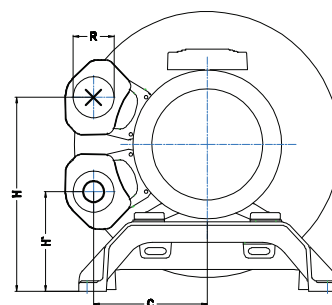
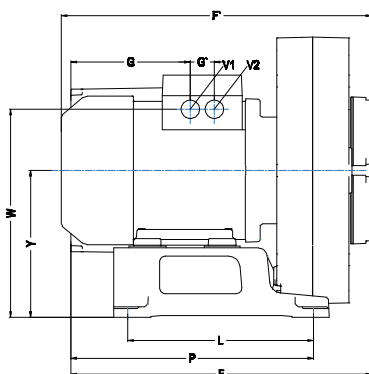
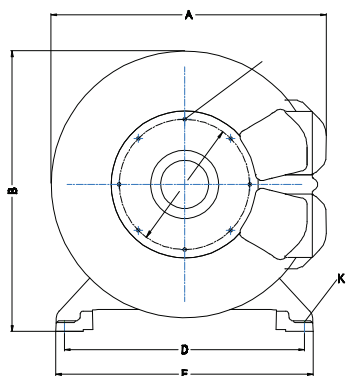
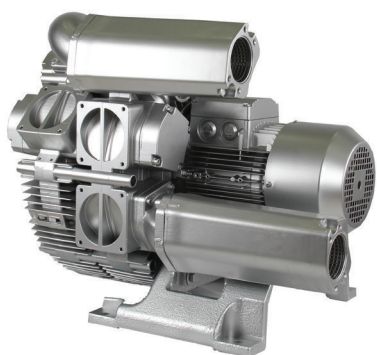
The performance curves are based on air at a temperature of 15 °C and atmospheric pressure of 1013 mbar with a tolerance of +/- 10 %. The total pressure differences are valid for suction and ambient temperatures up to 25 °C. For other conditions please confer with us.

Each 3RSC type can be applied both as vacuum pump and compressor in continuous operation over the total stated performance curve range. The motors are available as standard for the input voltage range of 50 and 60 Hz and for protection category IP 55.

# RENOVA

## 3RSC 350-1/65

Curve No.	Model	Freq. (Hz)	Power (KW)	Max. Flow (m3/h)	Max. Vacuum (mbar)	Max. Pressure (mbar)	Voltage (V)	Current (A)	Inlet / Outlet	Noise (dBA)	Weight (Kg)
1	3RSC350-1/65 4.0T	50	4.0	315	-350	390	350-450Δ / 610-725Y	8.4Δ/ 4.8Y	G 2½"	66	66
		60	4.6	370	-370	340	400-500Δ / 690-725Y	8.2Δ/ 4.7Y		70	
2	3RSC350-1/65 5.5T	50	5.5	320	-350	500	350-450Δ / 610-725Y	11.1Δ/ 6.4Y	G 2½"	70	77
		60	6.3	380	-390	510	400-500Δ / 690-725Y	11.0Δ/ 6.4Y		70	



Model	A	B	C	D	E	F	F'	G	H	H'	ØK	L	P	ØR
3RSC350-1/65 4.0T	481	490	199	420	450	527	559	217	340	175	14.5	325	425	2½"
3RSC350-1/65 5.5T	481	490	199	420	450	527	544	210	340	175	14.5	325	425	2½"