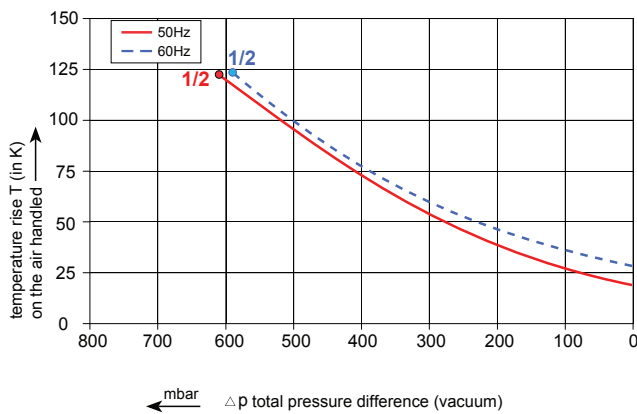
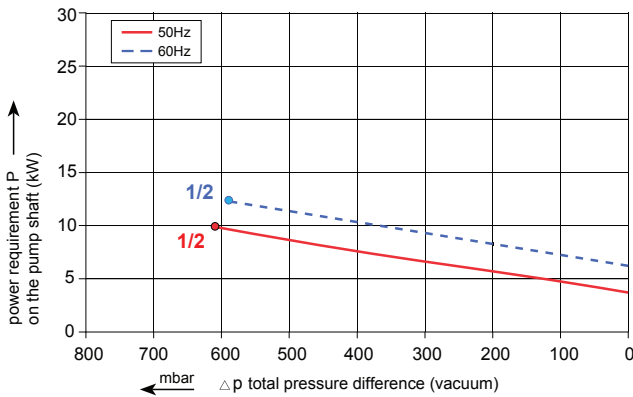
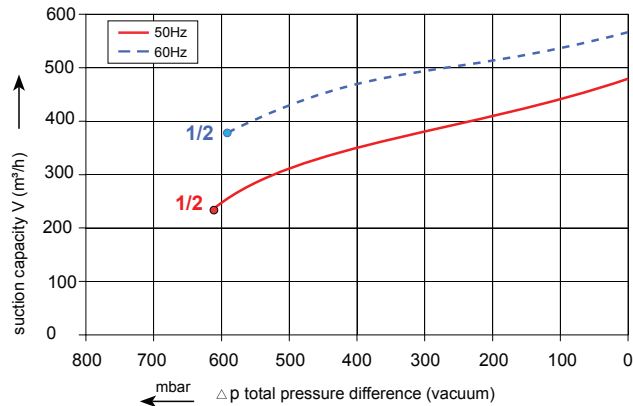




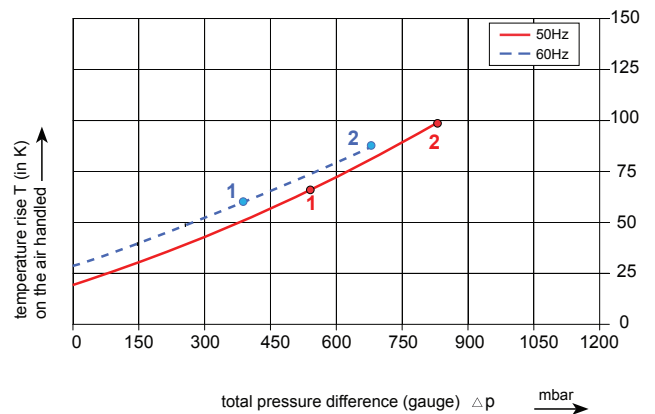
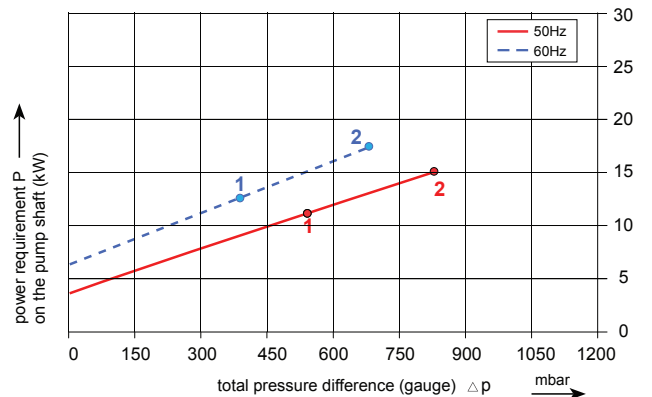
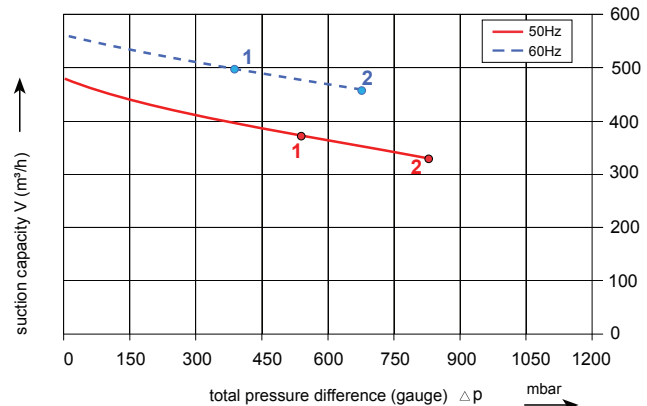
3RSC 550-3/80

Performance curve for Vacuum pump



3RSC 550-3/80

Performance curve for Compressor



The performance curves are based on air at a temperature of 15 °C and atmospheric pressure of 1013 mbar with a tolerance of +/- 10 %. The total pressure differences are valid for suction and ambient temperatures up to 25 °C. For other conditions please confer with us.

Each 3RSC type can be applied both as vacuum pump and compressor in continuous operation over the total stated performance curve range. The motors are available as standard for the input voltage range of 50 and 60 Hz and for protection category IP 55.



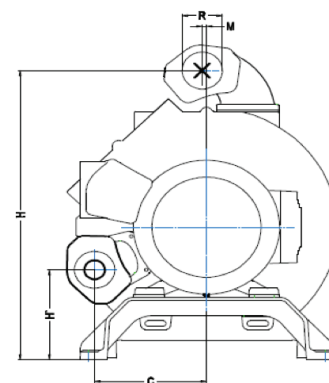
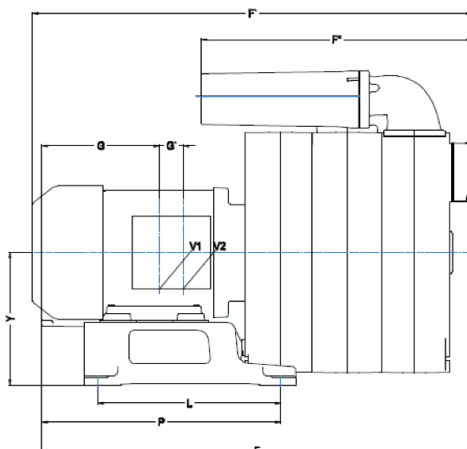
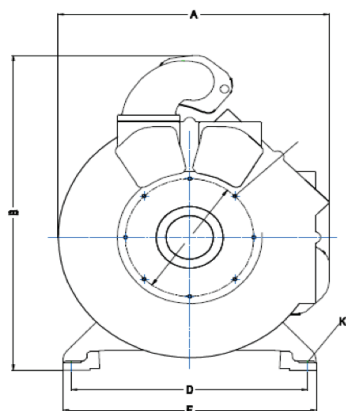
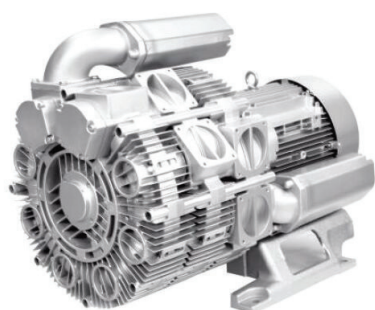
Madan Technologies
Maagan Michael
D. N. Menashe
3780500 Israel

Tel: +972-4-6243353
Fax: +972-4-6243366
sales@madantec.com
www.madantec.com

RENOVA

3RSC 550-3/80

Curve No.	Model	Freq. (Hz)	Power (KW)	Max. Flow (m3/h)	Max. Vacuum (mbar)	Max. Pressure (mbar)	Voltage (V)	Current (A)	Inlet / Outlet	Noise (dBA)	Weight (Kg)
1	3RSC550-3/80 11T	50	11	480	-610	540	350-450Δ / 610-725Y	22.0Δ/ 12.7Y	G 3"	71	167
		60	12.6	580	-590	390	400-500Δ / 690-725Y	22.0Δ/ 12.9Y			
2	3RSC550-3/80 15T	50	15	480	-610	830	350-450Δ / 610-725Y	30.5Δ/ 17.3Y	G 3"	71	188
		60	17.3	580	-590	680	400-500Δ / 690-725Y	29.5Δ/ 17.0Y			



Model	A	B	C	D	E	F	F'	G	H	H'	ØK	L	M	P	ØR
3RSC550-3/80 11T	553	710	228	420	450	894	968	276	651	214	14.5	325	8	518	3"
3RSC550-3/80 15T	553	710	228	420	450	894	968	276	651	214	14.5	325	8	518	3"