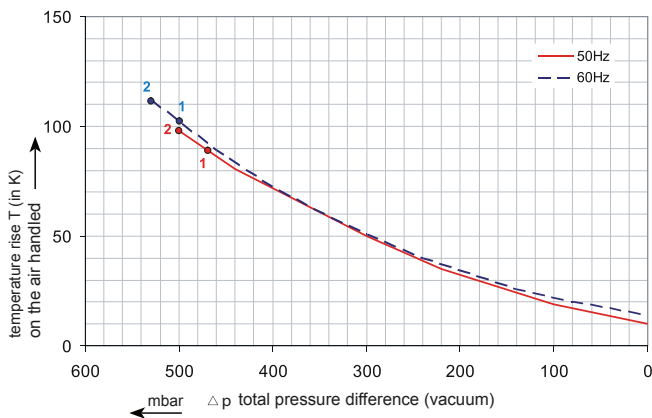
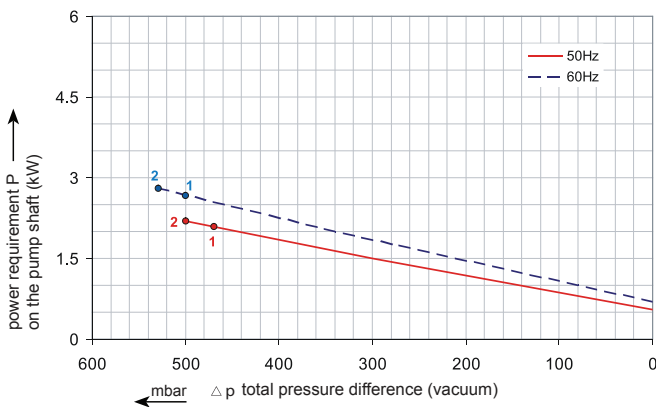
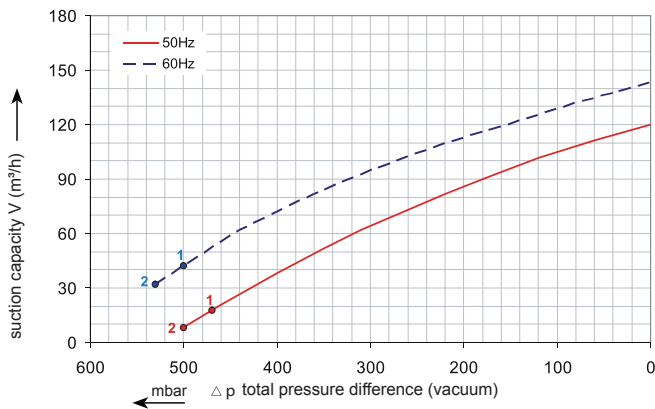


# RENOVA

## 42RSC 39/32

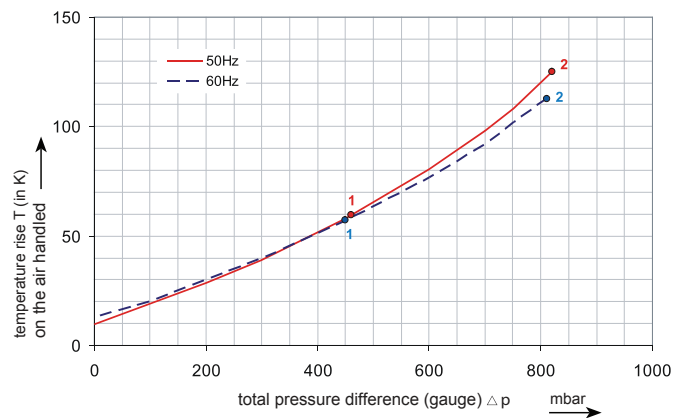
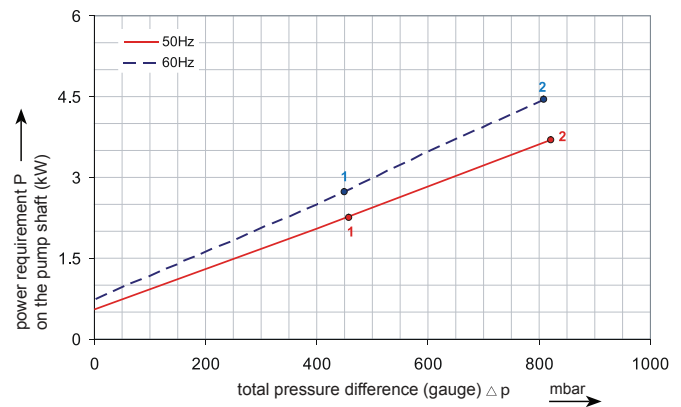
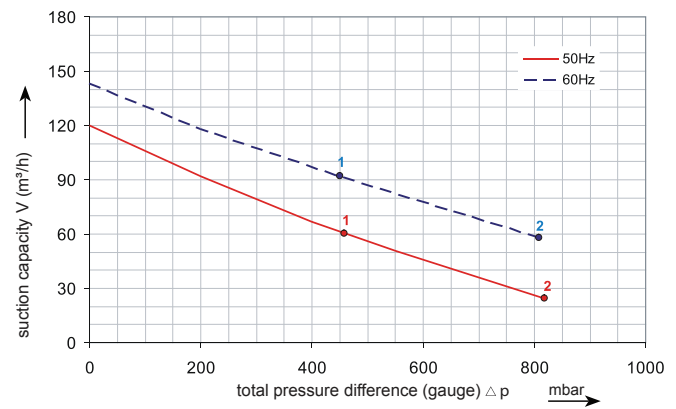
Performance curve for Vacuum pump



The performance curves are based on air at a temperature of 15 °C and an atmospheric pressure of 1013 mbar with a tolerance of +/- 10 %. The total pressure differences are valid for suction and ambient temperatures up to 25 °C. For other conditions please confer with us.

## 42RSC 39/32

Performance curve for Compressor

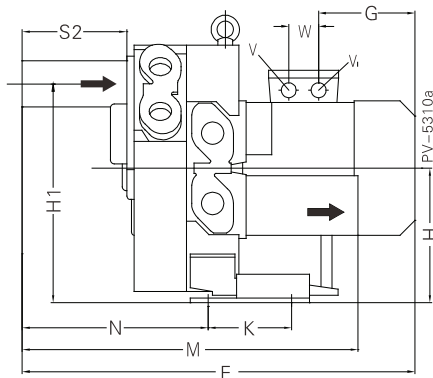
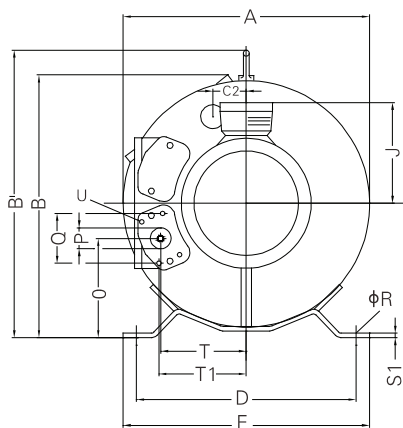
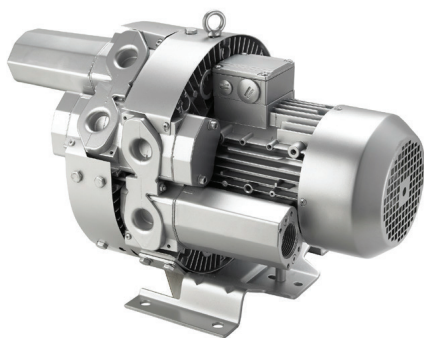


Each 42RSC type can be applied both as vacuum pump and compressor in continuous operation over the total stated performance curve range. The motors are available as standard for the input voltage range of 50 and 60 Hz and for protection category IP 55.

# RENOVA

## 42RSC 39/32

Curve No.	Model	Freq. (Hz)	Power (KW)	Max. Flow (m3/h)	Max. Vacuum (mbar)	Max. Pressure (mbar)	Voltage (V)	Current (A)	Inlet / Outlet	Noise (dBA)	Weight (Kg)
1	42RSC39/32 2.2T	50	2.2	120	-470	460	200-240Δ / 345-415Y	11.4Δ / 6.6Y	G 1¼"	64	40
		60	2.55	145	-500	450	220-275Δ / 380-480Y	11.2Δ / 6.5Y		70	
2	42RSC39/32 4.0T	50	4.0	120	-500	820	345-415Δ	9.0Δ	G 1¼"	65	51
		60	4.5	145	-530	810	380-480Δ	9.5Δ		71	



Model	A	B	C <sup>2</sup>	D	E	F	G	H	H <sup>1</sup>	J	K	M	N	O	ØP
42RSC39/32 2.2T	387	402	57	328	363	549	185	206	343	128	152	453	256	148	1¼"
42RSC39/32 4.0T	387	402	57	328	363	603	211	206	343	148	152	453	256	148	1¼"