



Madan Technologies
 Maagan Michael
 D. N. Menashe
 3780500 Israel

Tel: +972-4-6243353
 Fax: +972-4-6243366
 sales@madantec.com
 www.madantec.com

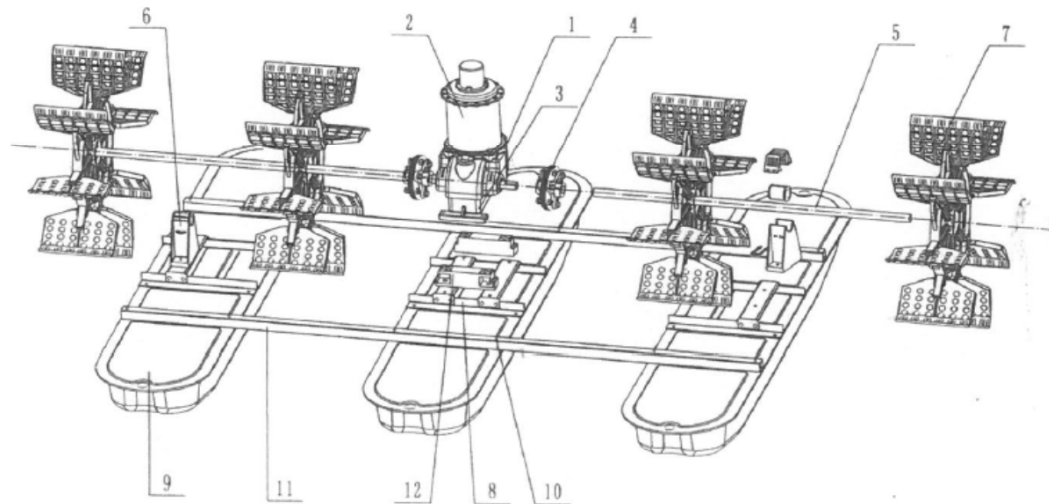


Paddlewheel Aerators						
MODEL	Rated Power	Phase	Voltage	Speed (rpm)	Hz	Length (cm)
SS 2HP PADDLEWHEEL - 4 IMP	2HP	3PH	220V/240V/380V 440V/460V/480V	1420Rpm/1750 Rpm	50/60	200cm



PART LIST	UNIT PER AERATOR
SS MOTOR	1
GEARBOX WITH PLASTIC COVER	1
FLOAT	3
FRAME SET for 4 IMP	1
SS SHAFT 4 IMP	2
SHAFT CONNECTOR	2
IMPELLER	4
BEARING & SHAFT SUPPORT	2
BOLT&NUT SET	1

S. S. SC-1.5 PADDLEWHEEL AERATOR



1. REDUCER COVER
2. S. S MOTOR
3. REDUCER
4. MOVABLE JOINT
5. SHAFT
6. PLASTIC BEARING
7. IMPELLER+BOSS
8. SHORT FRAME
9. FLOATER
10. SCREWS
11. SQUARE PIPE
12. PEDESTAL