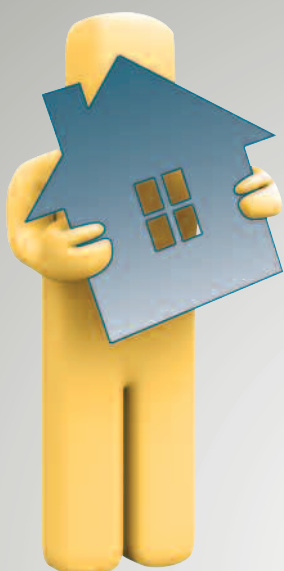




EBARA

JESX - JEX
SELF-PRIMING ELECTRIC PUMPS

60 Hz



JESX - JEX

SELF-PRIMING ELECTRIC PUMPS

in AISI 304



Self-priming electric pumps in AISI 304 stainless steel.

APPLICATIONS

- Supply of drinking water
- Domestic pressure boosting
- Small-scale garden irrigation
- Emptying reservoirs and swimming pools
- Moving clean water in general

TECHNICAL DETAILS

- Practical
- Easy to transport
- Light

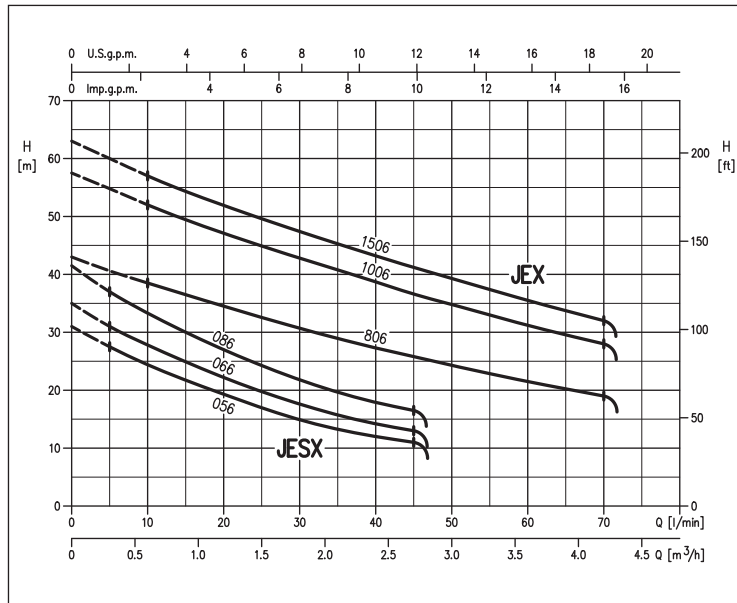
TECHNICAL DATA

- Maximum working pressure: 6 bar for JESX, 8 bar for JEX
- Maximum temperature of the liquid: 45°C
- Maximum suction depth: 8 m
- Self-ventilated 2 pole asynchronous motor
- Class of insulation F
- Protection rating IP54 (on request IP55)
- 110-115V ±6%, 60Hz single phase voltage, 220-230V ±6%, 60Hz single phase voltage, 220/380V -6%+10%, 60Hz three phase voltage
- Permanent capacitor inserted and thermo-amperometric protection with automatic rearm incorporated for the single phase motor
- Protection under user's responsibility for the three phase version
- G1 suction connection for JESX, G1¼ for JEX
- G1 discharge connection

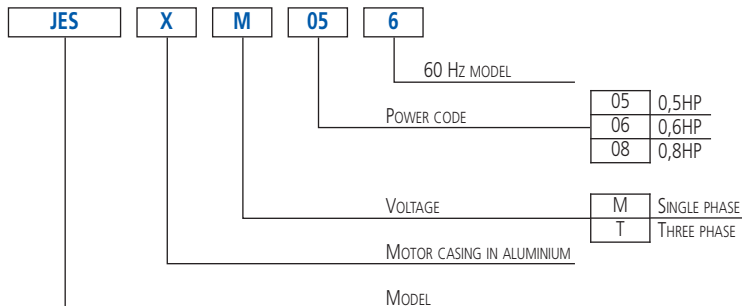
MATERIALS

- Pump body and seal housing disc in AISI 304
- Shaft in AISI 303 (part in contact with the liquid)
- Impeller in AISI 304 for JEX, in PPE+PS reinforced with fibreglass for JESX
- Mechanical seal in Carbon/Ceramic/NBR
- Support and motor casing in aluminium

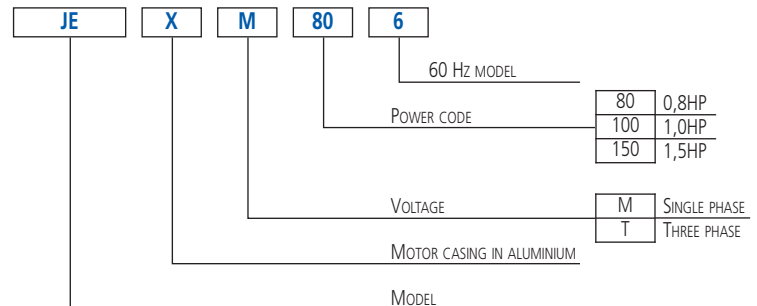
PERFORMANCE CURVES (according to ISO 9906 Attachment A)



JESX IDENTIFICATION CODE



JEX IDENTIFICATION CODE



JESX - JEX

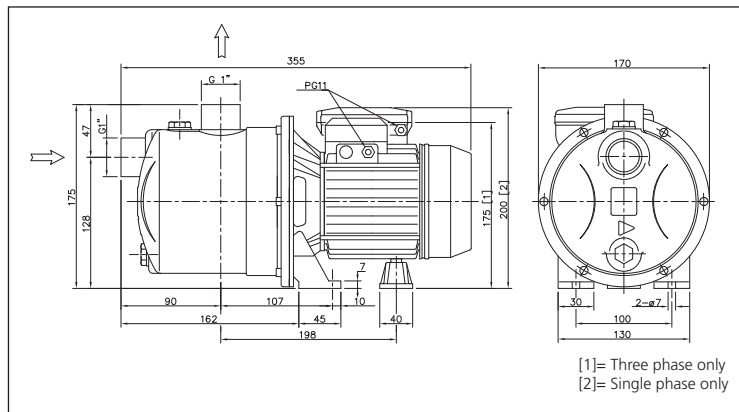
SELF-PRIMING ELECTRIC PUMPS

in AISI 304

JESX PERFORMANCE TABLE

Single phase 110-115/220-230V	Model Three phase 220/380V	P ₂		l/min m ³ /h	Q=Flow rate						
		[HP]	[kW]		5	10	20	30	40	45	
						H=Head [m]					
JESXM 056	JESX 056	0,5	0,37	27,5	24,4	19,3	14,9	12,0	11,0		
JESXM 066	JESX 066	0,6	0,44	31,0	27,8	22,2	17,6	14,2	13,0		
JESXM 086	JESX 086	0,8	0,6	37,0	33,3	27,0	21,8	17,9	16,5		

JESX DIMENSIONS

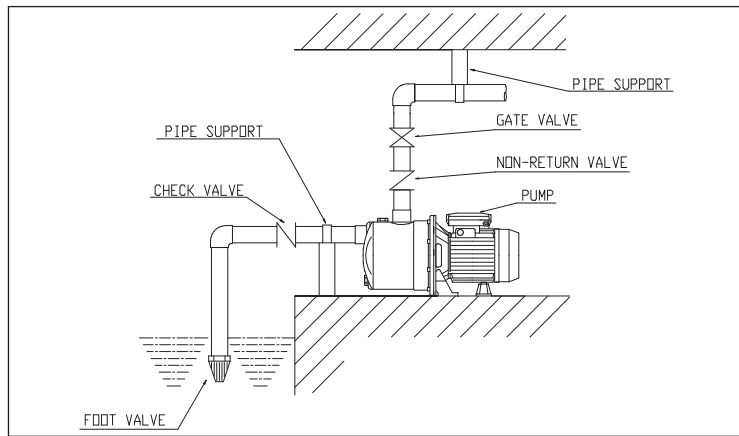


DIMENSIONAL TABLE

Model	Weight [kg]	
	[2]	[1]
JESX(M) 056	5,2	5,0
JESX(M) 066	5,5	5,1
JESX(M) 086	6,0	6,0

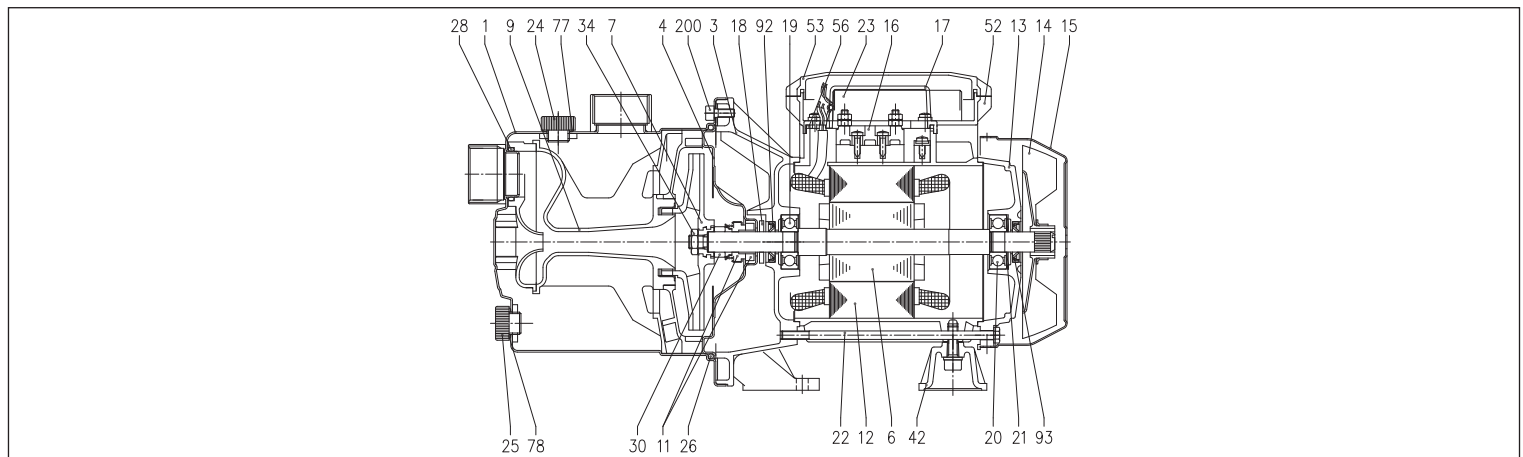
[1]= Three phase only
[2]= Single phase only

INSTALLATION



For correct installation of the system, it is recommended to fit a foot valve on the suction and support/anchorage for the piping.

JESX SECTIONAL VIEW



SELF-PRIMING ELECTRIC PUMPS

in AISI 304

MATERIALS TABLE

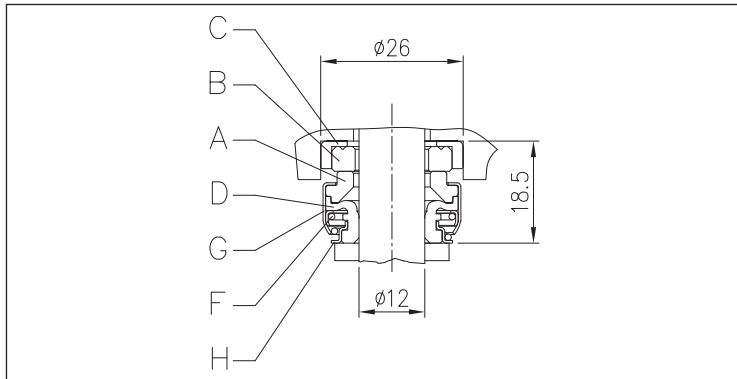
Ref.	Name	Material	Ref.	Name	Material
1	Pump body	AISI 304	22	Tie-rod	Galvanised Fe 42
3	Motor support	Aluminium	23	Capacitor [2]	-
4	Seal housing disc	AISI 304	24	Filler cap	PA6
6	Rotor shaft	AISI 303 (Part in contact with the liquid)	25	Drain plug	PA6
7	Impeller	PPE+PS reinforced with fibreglass	26	O-Ring	NBR
9	Venturi Unit + nozzle	PPE+PS reinforced with fibreglass	28	O-Ring	NBR
11	Mechanical seal	Carbon/Ceramic/NBR	30	Mechanical seal spacer	Brass
12	Motor case	-	34	Impeller nut [1]	AISI 304
13	Motor cover	Aluminium	42	Foot	Aluminium
14	Fan	PA6	52	Capacitor-holder box [2]	ABS
15	Fan cover	Galvanised Fe P04	53	Cover gasket [2]	ABS+NBR
16	Terminal box	-	56	Terminal box cover gasket	NBR
17	Terminal box cover [1]	Aluminium	77	O-Ring	NBR
18	Spray protector washer	NBR	78	O-Ring	NBR
19	Bearing (pump side)	-	92	Sealing ring [3]	-
20	Bearing (motor side)	-	93	Sealing ring [3]	-
21	Adjusting ring	Steel C70	200	Screw (pump body)	A2 UNI7323 stainless steel

[1]= For three phase only

[2]= For single phase only

[3]= For IP55 only

JESX MECHANICAL SEAL



MATERIALS TABLE

Ref.	Name	Material
A	Rotating part	Carbon
B	Fixed part	Ceramic
C	Gasket	NBR
D	Bellows	NBR
F	Spring	AISI 304
G	Structure/frame	AISI 304
H	Retainer ring	AISI 304

JESX ELECTRIC DATA TABLE

Model		P ₂		Capacitor Single phase				P ₁		Absorbed Current [A]			
Single phase 110-115V/220-230V	Three phase 220/380V	[HP]	[kW]	110-115V		220-230V		Single phase [kW]	Three phase [kW]	Single phase		Three phase	
				μF	V _c	μF	V _c			110-115V	220-230V	220V	380V
JESXM 056	JESX 056	0,5	0,37	31,5	250	8	450	0,4	0,37	3,6	2,0	1,3	0,7
JESXM 066	JESX 066	0,6	0,44	30	250	8	450	0,46	0,4	4,1	2,2	1,4	0,8
JESXM 086	JESX 086	0,8	0,6	50	250	10	450	0,54	0,47	4,9	2,5	1,6	0,9

SELF-PRIMING ELECTRIC PUMPS

in AISI 304

MATERIALS TABLE

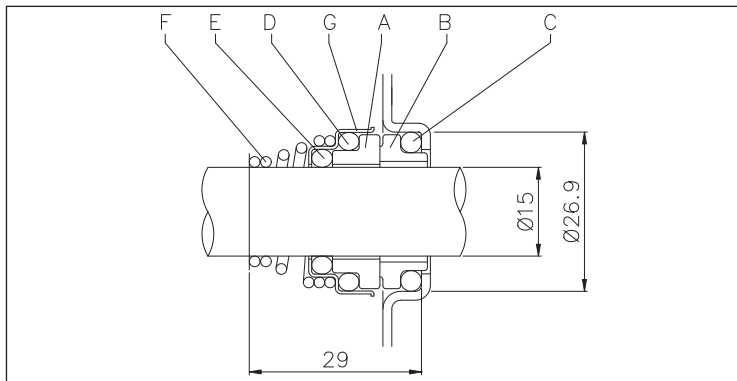
Ref.	Name	Material	Ref.	Name	Material
1	Pump body	AISI 304	24	Filler cap	PA6
3	Motor support	Aluminium	25	Drain plug	PA6
4	Seal housing disc	AISI 304	26	O-Ring	NBR
6	Rotor shaft	AISI 303 (Part in contact with the liquid)	28	O-Ring	NBR
7	Impeller	AISI 304	32	Key	AISI 304
9	Venturi Unit + nozzle	PPE+PS reinforced with fibreglass	34	Impeller nut	AISI 304
11	Mechanical seal	Carbon/Ceramic/NBR	42	Foot	Aluminium
12	Motor case	-	43	Nozzle spacer	PPE+PS reinforced with fibreglass
13	Motor cover	Aluminium	52	Capacitor-holder box [2]	ABS
14	Fan	PA6	53	Cover gasket [2]	ABS
15	Fan cover	Galvanised Fe P04	56	Box gasket	NBR
16	Terminal box	-	77	O-Ring	NBR
17	Terminal box cover [1]	Aluminium	78	O-Ring	NBR
18	Spray protector washer	NBR	90	Terminal box cover gasket [2]	NBR
19	Bearing (pump side)	-	92	Sealing ring [3]	-
20	Bearing (motor side)	-	93	Sealing ring [3]	-
21	Adjusting ring	Steel C70	110	Motorprotector [2]	-
22	Tie-rod	Galvanised Fe 42	200	Screw (pump body)	A2 UNI7323 stainless steel
23	Capacitor [2]	-			

[1]= For three phase only

[2]= For single phase only

[3]= For IP55 only

JEX MECHANICAL SEAL



MATERIALS TABLE

Ref.	Name	Material
A	Rotating part	Ceramic
B	Fixed part	Carbon
C	O-Ring	NBR
D	O-Ring	NBR
E	O-Ring	NBR
F	Spring	AISI 316
G	Structure/frame	AISI 304

JEX ELECTRIC DATA TABLE

Model	Single phase 110-115V/220-230V	Three phase 220/380V	P ₂		Capacitor Single phase				P ₁		Absorbed Current [A]			
			[HP]	[kW]	110-115V		220-230V		Single phase [kW]	Three phase [kW]	Single phase		Three phase	
					μF	V _c	μF	V _c			110-115V	220-230V	220V	380V
JEXM 806	JEX 806		0,8	0,6	60	250	14	450	1,0	0,87	9,2	4,9	2,8	1,6
JEXM 1006	JEX 1006		1	0,75	70	250	20	450	1,5	1,00	13,3	7,2	2,9	1,7
JEXM 1506	JEX 1506		1,5	1,1	-	-	25	450	1,7	1,50	-	8,1	3,8	2,2

EBARA Pumps Europe network

HEAD OFFICE

EBARA Pumps Europe S.p.A.

Via Pacinotti, 32
36040 Brendola (VI), Italy
Phone +39 0444 706811 - Fax +39 0444 405811

Italian sales:
e-mail: ordini@ebaraeurope.com

Export sales:
e-mail: exportsales@ebaraeurope.com

Technical Customer Service (TCS):
e-mail: technical_customer_service@ebaraeurope.com
Phone +39 0444 706902/923

Marketing & Marketing Communication:
e-mail: marketing@ebaraeurope.com

ITALIAN SALES NETWORK

NORTH Region:

(Valle d'Aosta, Piemonte, Lombardia, Liguria, Trentino
Alto Adige, Veneto, Friuli Venezia Giulia, Emilia Romagna)
Regional Manager cell.: +39 348 8732512
e-mail: nord@ebaraeurope.com
Phone +39 0444 706811 - Fax +39 0444 405811

CENTRAL Region:

(Toscana, Umbria, Marche, Lazio, Abruzzo, Molise)
Regional Manager cell.: +39 335 6423286
e-mail: centro@ebaraeurope.com
Phone +39 0444 706811 - Fax +39 0444 405811

SOUTH Region:

(Campania, Basilicata, Puglia, Calabria, Sicilia)
Regional Manager cell.: +39 335 6423316
e-mail: sud@ebaraeurope.com
Phone +39 0444 706811 - Fax +39 0444 405811

INDUSTRIAL Division:

Manager cell.: +39 335 6423302
e-mail: industry@ebaraeurope.com
Phone +39 0444 706811 - Fax +39 0444 405811

WASTEWATER Division:

Manager cell.: +39 335 6423290
e-mail: ses@ebaraeurope.com
Phone +39 0444 706811 - Fax +39 0444 405811

MILANO Branch:

Via Lainate, 62
20017 Rho (MI)
Phone +39 02 93507358 - Fax +39 0444 405975
Branch Manager cell.: +39 335 5327276
e-mail: mktgmi@ebaraeurope.com

CAGLIARI Branch:

Via del Fangario, 29
09122 Cagliari
Phone +39 070 274281 - Fax +39 0444 405960
Branch Manager cell.: +39 335 6423320
e-mail: mktgca@ebaraeurope.com

PALERMO Branch

Via Don L. Sturzo, 181/183
Z.I. - 90044 Carini (PA)
Phone +39 091 8669790 - Fax +39 0444 405980
Branch Manager cell.: +39 335 6423316
e-mail: mktgpa@ebaraeurope.com

EXPORT NETWORK

EBARA Pumps Europe S.p.A. UNITED KINGDOM

Unit 7 - Zodiac Business Park
High Road - Cowley Uxbridge
Middlesex - UB8 2GU, United Kingdom
Phone +44 1895 439027 - Fax +44 1895 439028
e-mail: mktguk@ebaraeurope.com

EBARA ESPAÑA BOMBAS S.A.

C/Cormoranes 6 Y 8
Poligono Ind. La Estación
28320 Pinto (Madrid), Spain
Phone +34 916.923.630 - Fax +34 916.910.818
e-mail: marketing@ebara.es

EBARA Pumps Europe S.p.A. FRANCE

555, Rue Juliette Recamier
69970 Chaponnay, France
Phone +33 4 72769482 - Fax +33 805101071
e-mail: mktgfr@ebaraeurope.com

EBARA Pumps Europe S.p.A. GERMANY

Ferdinand-Porsche-Ring 7
63110 Rodgau-Jügesheim, Germany
Phone +49 (0) 6106-660 99-0
Fax +49 (0) 6106-660 99-45
e-mail: mktgde@ebaraeurope.com

EBARA POMPY POLSKA Sp. z o.o.

ul. Działkowa 115
02-234 Warszawa, Poland
Phone +48 22 3909920 - Fax +48 22 3909929
e-mail: mktgpl@ebaraeurope.com

EBARA Pumps Europe S.p.A. MIDDLE EAST

P.O. Box 54515
Dubai Airport Free Zone
Dubai, United Arab Emirates
Phone +971 4 609 1040 - Fax +971 4 609 1038
e-mail: mktgme@ebaraeurope.com

EBARA Pumps Europe S.p.A INDIA LIAISON OFFICE

Bhumiraj Costarica,
Room No. 1503, Sector -18,
Palm Beach Rd., Sanpada,
Navi Mumbai, Maharashtra, India
Phone +91 22 27812862/63/64
Fax +91 22 27812865
e-mail: mktgind@ebaraeurope.com

EBARA Pumps Europe S.p.A. RUSSIA

Phone +7 985 7672672
e-mail: mktgrus@ebaraeurope.com



EBARA Pumps Europe S.p.A.

Via Pacinotti, 32
36040 Brendola (Vicenza), Italy
Phone +39 0444 706811 - Fax +39 0444 405811
e-mail: marketing@ebaraeurope.com
www.ebaraeurope.com



EBARA Corporation

11-1, Haneda Asahi-cho, Ohta-ku,
Tokyo 144-8510
Japan
Phone +81 3 6275 7598 - Fax +81 3 5736 3193
www.ebara.com