

APS

High head impeller

All product images are indicative only



General characteristics

High head impeller	
motor power	0,9 kW
poles	2
discharge	GAS 1½"-DN32 horizontal
free passage	7 mm
max flow rate	5.2 l/s
max head	20.3 m

Electromechanical assembly

Electromechanical assembly in GJL-250 cast iron, for submerged operation. Seal set comprising 1 (one) silicon carbide mechanical seal and 1 (one) lip seal. Ecological dry motor. Pump body in single casting with motor casing.

Applications

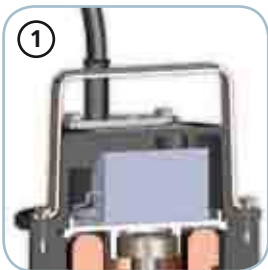
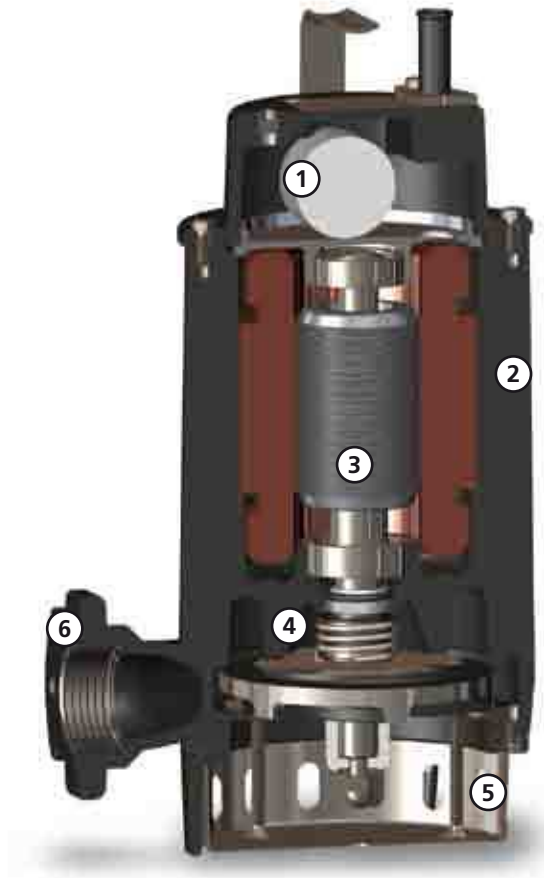
Used for clear wastewater, rainwater and seepage containing small amounts of sand. The considerable manometric head makes these units suitable for irrigation and the fish processing sector.

Construction materials

Case	Cast iron EN-GJL 250
Impeller	Cast iron EN-GJL-250
Nuts and bolts	Stainless steel - Class A2-70
Standard gasket	Rubber - NBR
Shaft	Stainless steel - AISI 420
Paint type	Ecological bicomponent epoxy (medium thickness 80 µm)
Set of standard mechanical seals	One silicon carbide mechanical seal (SiC) and one lip seal

Operating limits

Maximum operating temperature	40 °C
PH of treated fluid	6 ÷ 14
Viscosity of treated fluid	1 mm ² /s
Maximum immersion depth	20 m
Density of treated fluid	1 Kg/dm ³
Maximum acoustic pressure	70 dB
max starts per hour	30



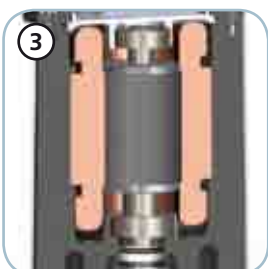
Capacitor/relay

Dry motor with thermal protections. Single-phase models with internal capacitor. Three-phase models with motor protection relay.



Structure

Constructed in GJL-250 cast iron.



Motor

Ecological dry motor with thermal protections.



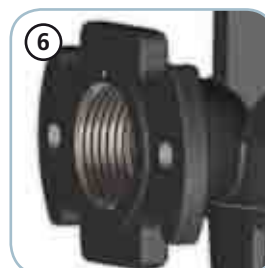
Mechanical seals

One mechanical seal in silicon carbide (SiC) and one lip seal.



Intake strainer

Intake strainer in stainless steel.



Discharge

Threaded, flanged discharge for the maximum ease of installation.

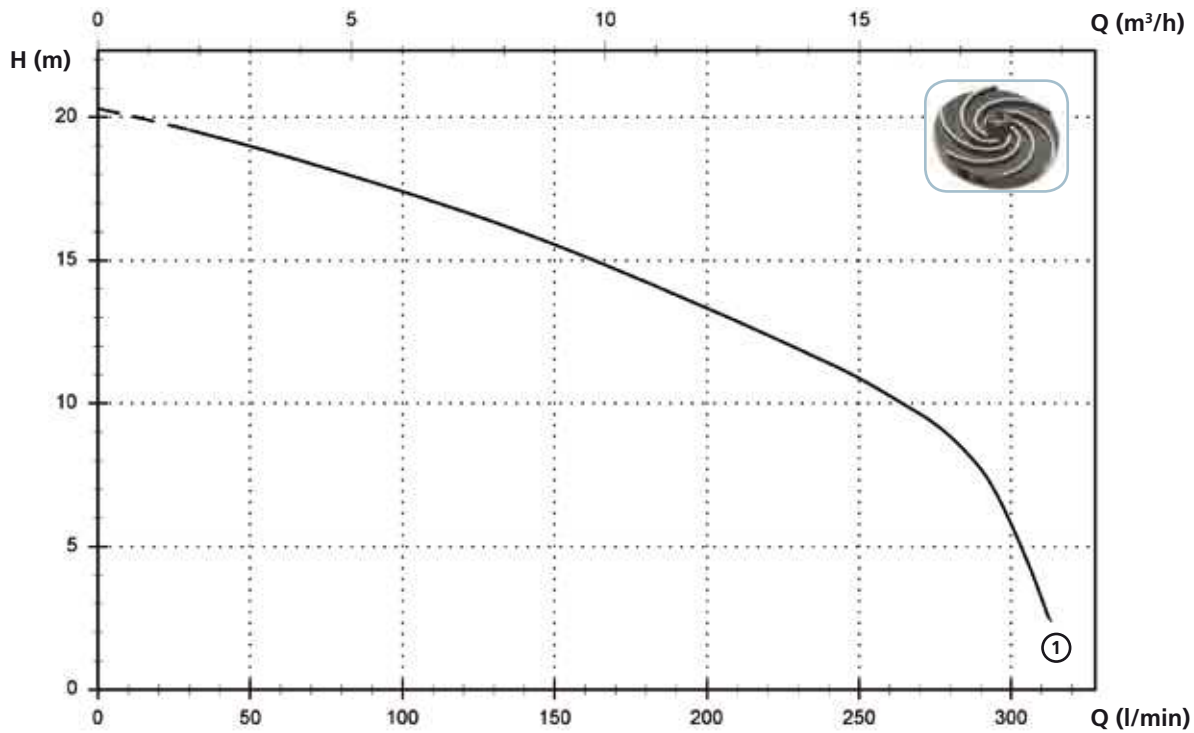
APS

Models with horizontal GAS 1½" threaded - DN32 PN6 flanged discharge - 2 poles

Performances

l/s	0	1	2	3	4	5
l/min	0	60	120	180	240	300
m ³ /h	0	3.6	7.2	10.8	14.4	18.0

① APS 100/2/G40H A0CM(T)/50	20.3	18.7	16.7	14.2	11.4	5.8
-----------------------------	------	------	------	------	------	-----



Technical data

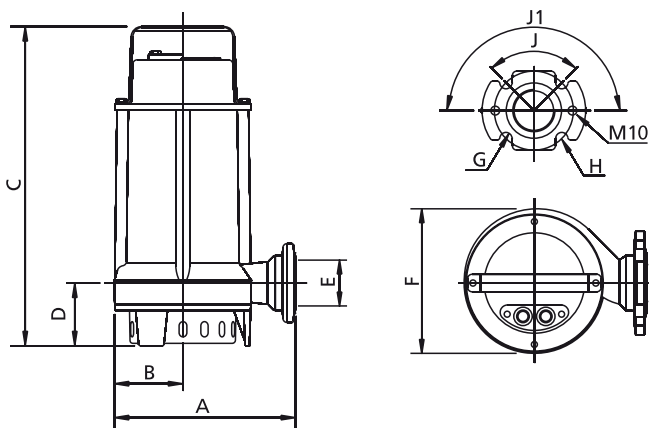
	V	Phases	P1 (kW)	P2 (kW)	A	Rpm	Start	Ø	Free passage
① APS 100/2/G40H A0CM/50	230	1	-	0.9	6.6	2900	Dir	G 1½"- DN32 PN6	7 mm
	V	Phases	P1 (kW)	P2 (kW)	A	Rpm	Start	Ø	Free passage
① APS 100/2/G40H A0CT/50	400	3	-	0.9	2.3	2900	Dir	G 1½"- DN32 PN6	7 mm

Versions available

(Key to versions on page 16)

	Electrical variants										Cooling				Mechanical seals				
	N A E	T C	T C D	T C D T	T C D G T	T C G	T C S T	T C S G T	T S	T R	T R G	N	CC CCE	FT	C G F T	2SIC	SICM	SICAL	2SICAL
APS 100/2/G40H A0CM/50		●				●					●						●		
APS 100/2/G40H A0CT/50									●	●	●						●		

Overall dimensions and weights



	A	B	C	D	E	F	G	H	J	J1	kg
APS 100/2/G40H A0CM(T)/50	210	80	370	80	G 1½"-DN32	165	14	90	90°	180°	20

Dimensions in mm

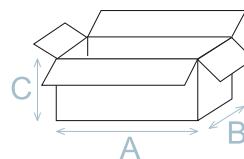
All weights and dimensions are indicative only

Packaging dimension

	A	B	C
APS 100/2/G40H A0CM(T)/50	385	225	245

Dimension in mm

All weights and dimensions are indicative only



Installations available

