

DGE

Set-back vortex impeller

All product images are indicative only



General characteristics

| | |
|--------------------------|---|
| set-back vortex impeller | |
| motor power | 0,37 ÷ 1,5 kW |
| poles | 2 |
| discharge | GAS 2" vertical GAS 2" - DN50 horizontal |
| free passage | max 50 mm |
| max flow rate | 11.6 l/s |
| max head | 15.7 m |

Electromechanical assembly

Electromechanical assembly in GJL-250 cast iron, for submerged operation. Seal set comprising 1 (one) silicon carbide mechanical seal and 1 (one) lip seal. Ecological dry motor.

Applications

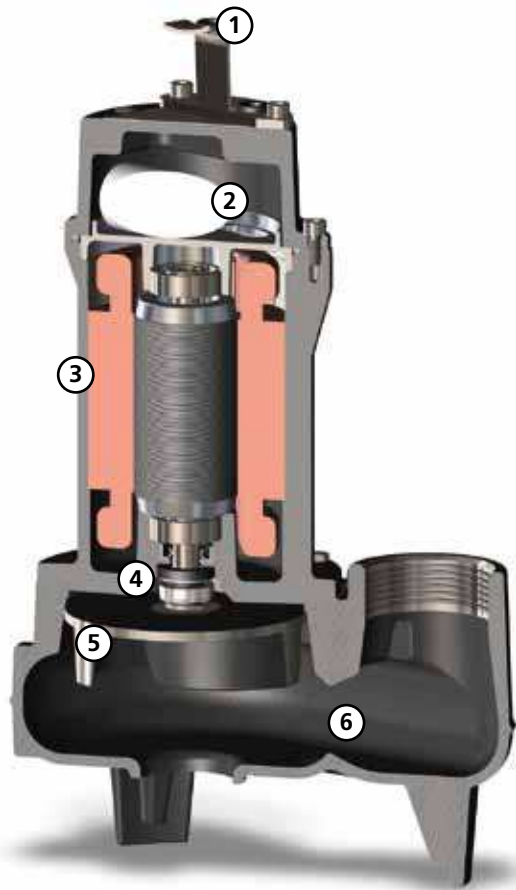
Suitable with slightly soiled biological wastewaters and sewage. Suitable for domestic and residential use.

Construction materials

| | |
|----------------------------------|--|
| Case | Cast iron EN-GJL 250 |
| Impeller | Cast iron EN-GJL-250 |
| Nuts and bolts | Stainless steel - Class A2-70 |
| Standard gasket | Rubber - NBR |
| Shaft | Stainless Steel - AISI 420 |
| Paint type | Ecological bicomponent epoxy (medium thickness 80 µm) |
| Set of standard mechanical seals | One silicon carbide mechanical seal (SiC) and one lip seal |

Operating limits

| | |
|-------------------------------|----------------------|
| Maximum operating temperature | 40 °C |
| PH of treated fluid | 6 ÷ 14 |
| Viscosity of treated fluid | 1 mm ² /s |
| Maximum immersion depth | 20 m |
| Density of treated fluid | 1 Kg/dm ³ |
| Maximum acoustic pressure | 70 dB |
| Max starts per hour | 30 |



Handle
AISI 304 stainless steel lifting and carrying handle



Capacitor/relay
Single-phase models with internal capacitor. Three-phase models with motor protection relay (option)



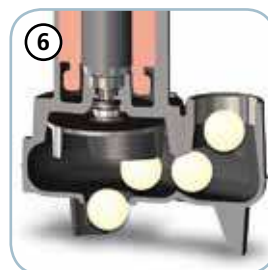
Motor
Ecological dry motor with thermal protections



Mechanical seals
One mechanical seal in silicon carbide (SiC) and one lip seal



Impeller
Cast iron vortex impeller



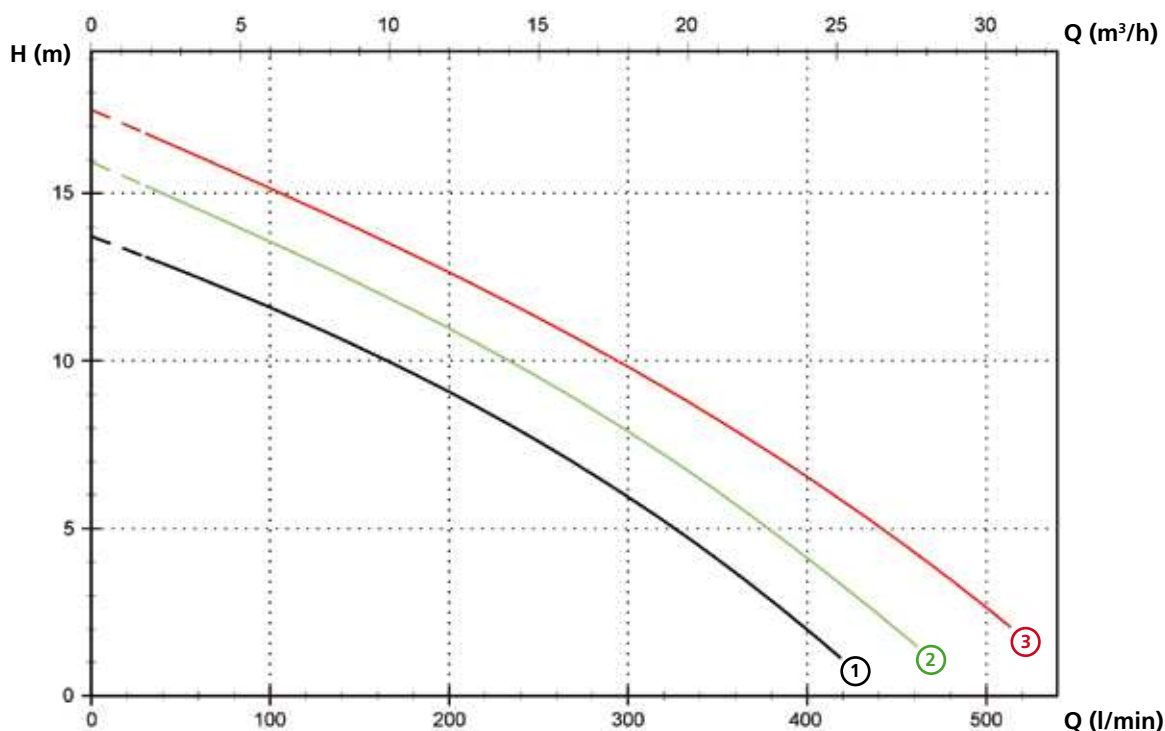
Free passage
Wide free passage allowing the expulsion of solids and preventing fouling of the impeller

DGE

Models with vertical GAS 1½" threaded discharge - 2 poles

Performances

| | l/s | 0 | 2 | 4 | 6 | 8 |
|-----------------------------|-------|------|------|------|------|------|
| | l/min | 0 | 120 | 240 | 360 | 480 |
| | m³/h | 0 | 7.2 | 14.4 | 21.6 | 28.8 |
| ① DGE 100/2/G40V A0CM(T)/50 | | 13.7 | 11.1 | 7.9 | 3.7 | |
| ② DGE 150/2/G40V A0CM(T)/50 | | 15.9 | 13.1 | 9.8 | 5.7 | |
| ③ DGE 200/2/G40V A0CM(T)/50 | | 17.5 | 14.7 | 11.6 | 7.9 | 3.5 |



Technical data

| | V | Phases | P1 (kW) | P2 (kW) | A | Rpm | Start | Ø | Cable (*) | Free passage |
|--------------------------|-----|--------|---------|---------|-----|------|-------|----------|-----------|--------------|
| ① DGE 100/2/G40V A0CM/50 | 230 | 1 | - | 0.88 | 6.0 | 2900 | Dir | G 1 1/2" | A | 40 mm |
| ② DGE 150/2/G40V A0CM/50 | 230 | 1 | - | 1.1 | 7.6 | 2900 | Dir | G 1 1/2" | A | 40 mm |
| ③ DGE 200/2/G40V A0CM/50 | 230 | 1 | - | 1.5 | 8.9 | 2900 | Dir | G 1 1/2" | A | 40 mm |

| | V | Phases | P1 (kW) | P2 (kW) | A | Rpm | Start | Ø | Cable (*) | Free passage |
|--------------------------|-----|--------|---------|---------|------|------|-------|----------|-----------|--------------|
| ① DGE 100/2/G40V A0CT/50 | 400 | 3 | - | 0.88 | 2.0 | 2900 | Dir | G 1 1/2" | B | 40 mm |
| ② DGE 150/2/G40V A0CT/50 | 400 | 3 | - | 1.1 | 2.46 | 2900 | Dir | G 1 1/2" | B | 40 mm |
| ③ DGE 200/2/G40V A0CT/50 | 400 | 3 | - | 1.5 | 3.2 | 2900 | Dir | G 1 1/2" | B | 40 mm |

(*) A = H07RN-F 3G1 - 5 m cable length. Optional 10 m cable length with schuko plug.

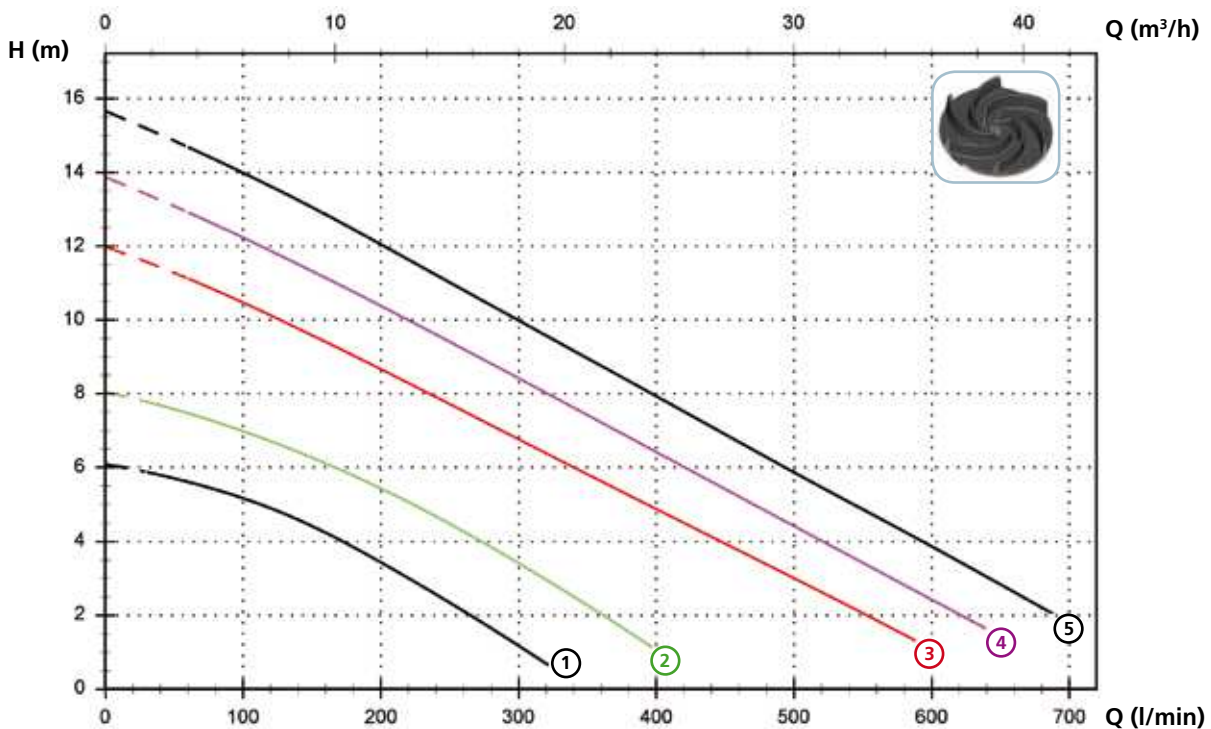
B = H07RN-F 4G1 - 10 m cable length

Attention: Standard EN 60335-2-41 requires the use of a 10 m cable length in outdoor applications

Models with vertical GAS 2" threaded discharge - 2 poles

Performances

| | l/s | 0 | 2 | 4 | 6 | 8 | 10 |
|---|---------------------------|------|------|------|------|------|------|
| | l/min | 0 | 120 | 240 | 360 | 480 | 600 |
| | m ³ /h | 0 | 7.2 | 14.4 | 21.6 | 28.8 | 36.0 |
| ① | DGE 50/2/G50V B0BM(T)/50 | 6.1 | 4.9 | 2.6 | | | |
| ② | DGE 75/2/G50V B0BM(T)/50 | 8.0 | 6.7 | 4.7 | 2.0 | | |
| ③ | DGE 100/2/G50V B0CM(T)/50 | 12.0 | 10.1 | 7.9 | 5.6 | 3.4 | |
| ④ | DGE 150/2/G50V B0CM(T)/50 | 13.9 | 11.9 | 9.6 | 7.2 | 4.8 | 2.4 |
| ⑤ | DGE 200/2/G50V B0CM(T)/50 | 15.7 | 13.6 | 11.2 | 8.8 | 6.3 | 3.9 |



Technical data

| | V | Phases | P1 (kw) | P2 (kw) | A | Rpm | Start | Ø | Cable (*) | Free passage | |
|---|------------------------|--------|---------|---------|------|-----|-------|-----|-----------|--------------|-------|
| ① | DGE 50/2/G50V B0BM/50 | 230 | 1 | - | 0.37 | 2.8 | 2900 | Dir | G 2" | A | 40 mm |
| ② | DGE 75/2/G50V B0BM/50 | 230 | 1 | - | 0.55 | 3.6 | 2900 | Dir | G 2" | A | 40 mm |
| ③ | DGE 100/2/G50V B0CM/50 | 230 | 1 | - | 0.88 | 6.5 | 2900 | Dir | G 2" | A | 50 mm |
| ④ | DGE 150/2/G50V B0CM/50 | 230 | 1 | - | 1.1 | 8.2 | 2900 | Dir | G 2" | A | 50 mm |
| ⑤ | DGE 200/2/G50V B0CM/50 | 230 | 1 | - | 1.5 | 9.4 | 2900 | Dir | G 2" | A | 50 mm |
| | | | | | | | | | | | |
| | V | Phases | P1 (kw) | P2 (kw) | A | Rpm | Start | Ø | Cable (*) | Free passage | |
| ① | DGE 50/2/G50V B0BT/50 | 400 | 3 | - | 0.37 | 1.1 | 2900 | Dir | G 2" | B | 40 mm |
| ② | DGE 75/2/G50V B0BT/50 | 400 | 3 | - | 0.55 | 1.3 | 2900 | Dir | G 2" | B | 40 mm |
| ③ | DGE 100/2/G50V B0CT/50 | 400 | 3 | - | 0.88 | 2.2 | 2900 | Dir | G 2" | B | 50 mm |
| ④ | DGE 150/2/G50V B0CT/50 | 400 | 3 | - | 1.1 | 2.6 | 2900 | Dir | G 2" | B | 50 mm |
| ⑤ | DGE 200/2/G50V B0CT/50 | 400 | 3 | - | 1.5 | 3.6 | 2900 | Dir | G 2" | B | 50 mm |

(*) A = H07RN-F 3G1 - 5 m cable length. Optional 10 m cable length with schuko plug.

B = H07RN-F 4G1 - 10 m cable length

Attention: Standard EN 60335-2-41 requires the use of a 10 m cable length in outdoor applications

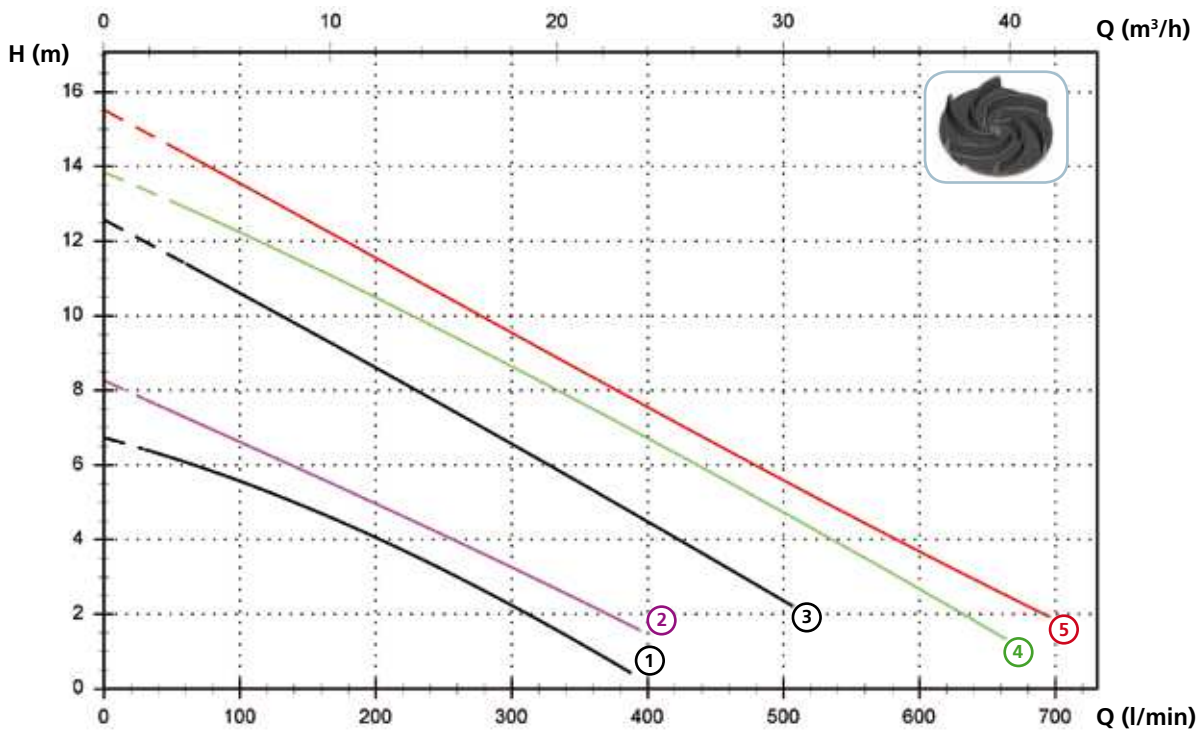


DGE

Models with horizontal GAS 2" threaded - DN50 PN10-16 flanged discharge - 2 poles

Performances

| | l/s | 0 | 2 | 4 | 6 | 8 | 10 |
|---|------------------------|------|------|------|------|------|------|
| | l/min | 0 | 120 | 240 | 360 | 480 | 600 |
| | m ³ /h | 0 | 7.2 | 14.4 | 21.6 | 28.8 | 36.0 |
| ① | DGE 50/2/G50H A1BM/50 | 6.7 | 5.3 | 3.4 | 1.0 | | |
| ② | DGE 75/2/G50H A1BM/50 | 8.3 | 6.3 | 4.3 | 2.2 | | |
| ③ | DGE 100/2/G50H A0CM/50 | 12.6 | 10.2 | 7.8 | 5.3 | 2.8 | |
| ④ | DGE 150/2/G50H A0CM/50 | 13.8 | 11.9 | 9.8 | 7.5 | 5.1 | 2.7 |
| ⑤ | DGE 200/2/G50H A0CM/50 | 15.5 | 13.2 | 10.8 | 8.3 | 6.0 | 3.7 |



Technical data

| | V | Phases | P1 (kw) | P2 (kw) | A | Rpm | Start | Ø | Cable (*) | Free passage | |
|---|------------------------|--------|---------|---------|------|-----|-------|-----|--------------------|--------------|-------|
| ① | DGE 50/2/G50H A1BT/50 | 230 | 1 | - | 0.37 | 2.8 | 2900 | Dir | G2" - DN50 PN10-16 | A | 40 mm |
| ② | DGE 75/2/G50H A1BT/50 | 230 | 1 | - | 0.55 | 3.6 | 2900 | Dir | G2" - DN50 PN10-16 | A | 40 mm |
| ③ | DGE 100/2/G50H A0CT/50 | 230 | 1 | - | 0.88 | 6.5 | 2900 | Dir | G2" - DN50 PN10-16 | A | 50 mm |
| ④ | DGE 150/2/G50H A0CT/50 | 230 | 1 | - | 1.1 | 8.2 | 2900 | Dir | G2" - DN50 PN10-16 | A | 50 mm |
| ⑤ | DGE 200/2/G50H A0CT/50 | 230 | 1 | - | 1.5 | 9.4 | 2900 | Dir | G2" - DN50 PN10-16 | A | 50 mm |
| ① | DGE 50/2/G50H A1BT/50 | 400 | 3 | - | 0.37 | 1.1 | 2900 | Dir | G2" - DN50 PN10-16 | B | 40 mm |
| ② | DGE 75/2/G50H A1BT/50 | 400 | 3 | - | 0.55 | 1.3 | 2900 | Dir | G2" - DN50 PN10-16 | B | 40 mm |
| ③ | DGE 100/2/G50H A0CT/50 | 400 | 3 | - | 0.88 | 2.2 | 2900 | Dir | G2" - DN50 PN10-16 | B | 50 mm |
| ④ | DGE 150/2/G50H A0CT/50 | 400 | 3 | - | 1.1 | 2.6 | 2900 | Dir | G2" - DN50 PN10-16 | B | 50 mm |
| ⑤ | DGE 200/2/G50H A0CT/50 | 400 | 3 | - | 1.5 | 3.6 | 2900 | Dir | G2" - DN50 PN10-16 | B | 50 mm |

(*) A = H07RN-F 3G1 - 5 m cable length. Optional 10 m cable length with schuko plug.
 B = H07RN-F 4G1 - 10 m cable length

Attention: Standard EN 60335-2-41 requires the use of a 10 m cable length in outdoor applications

Versions available

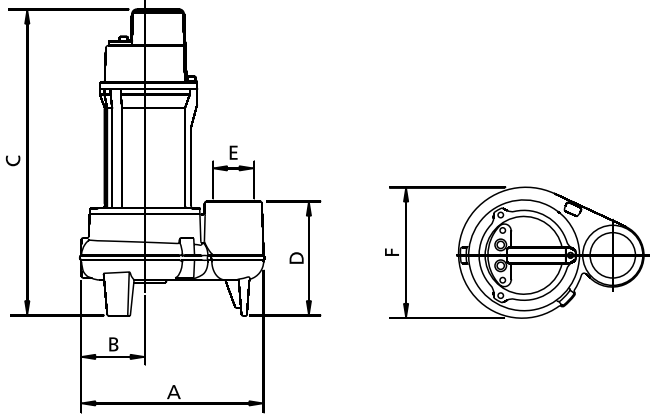
(Key to versions on page 16)

| | Electrical variants | | | | | | | | | | | Cooling | | | | Mechanical seals | | | | |
|------------------------|---------------------|---|--------|-------------|------------------|-----------------------|-------------|------------------|-----------------------|--------|--------|-------------|---|-----------|----|------------------|------|------|-------|--------|
| | N A E | T | T C | T C D | T C D T | T C D G T | T C G | T C S T | T C S G T | T S | T R | T R G | N | CC CCE | FT | C G F T | 2SIC | SICM | SICAL | 2SICAL |
| DGE 100/2/G40V A0CM/50 | | | ● | | | | ● | | | | | | ● | | | | | | ● | |
| DGE 150/2/G40V A0CM/50 | | | ● | | | | ● | | | | | | ● | | | | | | ● | |
| DGE 200/2/G40V A0CM/50 | | | ● | | | | ● | | | | | | ● | | | | | | ● | |
| DGE 100/2/G40V A0CT/50 | ● | | | | | | | | | | | ● | ● | | | | | | ● | |
| DGE 150/2/G40V A0CT/50 | ● | | | | | | | | | | | ● | ● | | | | | | ● | |
| DGE 200/2/G40V A0CT/50 | ● | | | | | | | | | | | ● | ● | | | | | | ● | |
| DGE 50/2/G50V B0BM/50 | | | ● | | | | ● | | | | | | ● | | | | | | ● | |
| DGE 75/2/G50V B0BM/50 | | | ● | | | | ● | | | | | | ● | | | | | | ● | |
| DGE 100/2/G50V B0CM/50 | | | ● | | | | ● | | | | | | ● | | | | | | ● | |
| DGE 150/2/G50V B0CM/50 | | | ● | | | | ● | | | | | | ● | | | | | | ● | |
| DGE 200/2/G50V B0CM/50 | | | ● | | | | ● | | | | | | ● | | | | | | ● | |
| DGE 50/2/G50V B0BT/50 | ● | | | | | | | | | | | ● | ● | | | | | | ● | |
| DGE 75/2/G50V B0BT/50 | ● | | | | | | | | | | | ● | ● | | | | | | ● | |
| DGE 100/2/G50V B0CT/50 | ● | | | | | | | | | | | ● | ● | | | | | | ● | |
| DGE 150/2/G50V B0CT/50 | ● | | | | | | | | | | | ● | ● | | | | | | ● | |
| DGE 200/2/G50V B0CT/50 | ● | | | | | | | | | | | ● | ● | | | | | | ● | |
| DGE 50/2/G50H A1BM/50 | | | ● | | | | ● | | | | | | ● | | | | | | ● | |
| DGE 75/2/G50H A1BM/50 | | | ● | | | | ● | | | | | | ● | | | | | | ● | |
| DGE 100/2/G50H A0CM/50 | | | ● | | | | ● | | | | | | ● | | | | | | ● | |
| DGE 150/2/G50H A0CM/50 | | | ● | | | | ● | | | | | | ● | | | | | | ● | |
| DGE 200/2/G50H A0CM/50 | | | ● | | | | ● | | | | | | ● | | | | | | ● | |
| DGE 50/2/G50H A1BT/50 | ● | | | | | | | | | | | ● | ● | | | | | | ● | |
| DGE 75/2/G50H A1BT/50 | ● | | | | | | | | | | | ● | ● | | | | | | ● | |
| DGE 100/2/G50H A0CT/50 | ● | | | | | | | | | | | ● | ● | | | | | | ● | |
| DGE 150/2/G50H A0CT/50 | ● | | | | | | | | | | | ● | ● | | | | | | ● | |
| DGE 200/2/G50H A0CT/50 | ● | | | | | | | | | | | ● | ● | | | | | | ● | |

DGE

Overall dimensions and weights

Models with vertical discharge

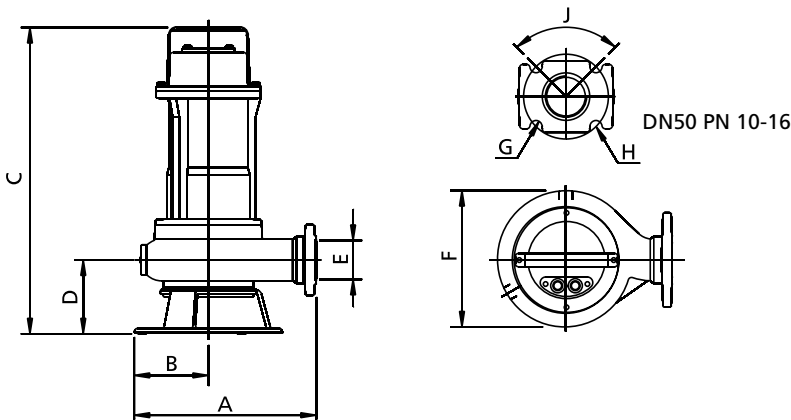


| | A | B | C | D | E | F | kg |
|---------------------------|-----|-----|-----|-----|----------|-----|----|
| DGE 100/2/G40V A0CM(T)/50 | 260 | 100 | 405 | 125 | G 1 1/2" | 205 | 19 |
| DGE 150/2/G40V A0CM(T)/50 | 260 | 100 | 405 | 125 | G 1 1/2" | 205 | 20 |
| DGE 200/2/G40V A0CM(T)/50 | 260 | 100 | 405 | 125 | G 1 1/2" | 205 | 21 |
| DGE 50/2/G50V B0BM(T)/50 | 230 | 80 | 385 | 120 | G 2" | 165 | 12 |
| DGE 75/2/G50V B0BM(T)/50 | 230 | 80 | 385 | 120 | G 2" | 165 | 14 |
| DGE 100/2/G50V B0CM(T)/50 | 270 | 100 | 425 | 130 | G 2" | 205 | 19 |
| DGE 150/2/G50V B0CM(T)/50 | 270 | 100 | 425 | 130 | G 2" | 205 | 20 |
| DGE 200/2/G50V B0CM(T)/50 | 270 | 100 | 425 | 130 | G 2" | 205 | 21 |

Dimensions in mm

All weights and dimensions are indicative only

Models with horizontal discharge



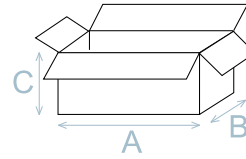
| | A | B | C | D | E | F | G | H | J | kg |
|---------------------------|-----|-----|-----|-----|-----------|-----|----|-----|-----|----|
| DGE 50/2/G50H A1BM(T)/50 | 220 | 80 | 365 | 65 | G 2"-DN50 | 160 | 18 | 125 | 90° | 12 |
| DGE 75/2/G50H A1BM(T)/50 | 220 | 80 | 365 | 65 | G 2"-DN50 | 160 | 18 | 125 | 90° | 14 |
| DGE 100/2/G50H A0CM(T)/50 | 270 | 110 | 455 | 110 | G 2"-DN50 | 205 | 18 | 125 | 90° | 19 |
| DGE 150/2/G50H A0CM(T)/50 | 270 | 110 | 455 | 110 | G 2"-DN50 | 205 | 18 | 125 | 90° | 20 |
| DGE 200/2/G50H A0CM(T)/50 | 270 | 110 | 455 | 110 | G 2"-DN50 | 205 | 18 | 125 | 90° | 21 |

Dimensions in mm

All weights and dimensions are indicative only

Packaging dimension

| | A | B | C |
|---------------------------|-----|-----|-----|
| DGE 100/2/G40V A0CM(T)/50 | 475 | 285 | 235 |
| DGE 150/2/G40V A0CM(T)/50 | 475 | 285 | 235 |
| DGE 200/2/G40V A0CM(T)/50 | 475 | 285 | 235 |
| DGE 50/2/G50V B0BM(T)/50 | 385 | 225 | 245 |
| DGE 75/2/G50V B0BM(T)/50 | 385 | 225 | 245 |
| DGE 100/2/G50V B0CM(T)/50 | 475 | 285 | 235 |
| DGE 150/2/G50V B0CM(T)/50 | 475 | 285 | 235 |
| DGE 200/2/G50V B0CM(T)/50 | 475 | 285 | 235 |
| DGE 50/2/G50H A1BM(T)/50 | 385 | 225 | 245 |
| DGE 75/2/G50H A1BM(T)/50 | 385 | 225 | 245 |
| DGE 100/2/G50H A0CM(T)/50 | 475 | 285 | 235 |
| DGE 150/2/G50H A0CM(T)/50 | 475 | 285 | 235 |
| DGE 200/2/G50H A0CM(T)/50 | 475 | 285 | 235 |



Dimension in mm

All weights and dimensions are indicative only

No. pieces per pallet

For DGE 50-75 models each pallet (EUR 1000X1200 mm) is able to take 48 pieces.
 For DGE 100-150-200 models each pallet (EUR 1000X1200 mm) is able to take 32 pieces.

Installations available

