



Cold water circulation pumps (geothermy), pressure head 7-12 m

KGPA series, KG product group



Technical data

Rate of flow: up to 12.0 m³ / h
 Pressure head: up to 12 m
 Media temperature: -25 °C to 110 °C
 Installation length: 180 mm
 Threaded connection: 1½" and 2"
 Protection class: IP 44
 Insulation class: F
 Nominal pressure: PN 10
 Control: 3-step switch with manual speed selection

Product features

- manual start-up feature
- space-saving axially integrated terminal box
- pump enclosure with KTL coating

Use

The KGPA series circulation pumps are wet rotor circulators designed for use in cold water systems with a flow rate of > 5 m³ / h. They feature an enclosure resistant to corrosion with KTL coating and a sealed motor winding. On request, pumps from the KGPA series are also available with a bronze enclosure (KGPB).

Flow media

- pure, thin, non-aggressive and non-explosive, mineral oil-free media without solid or long-fibre components
- media with a max. viscosity of 10 mm² / s

Materials

Component	Material	Material No.
Pump body	Grey-cast iron	0.6020
Impeller	Polypropylene (PP - GF 30)	
Shaft	Ceramic	
Bearing	Ceramic	
Bearing plate	Brass	2.0401
Can	Stainless steel	1.4301

Temperature range

Ambient temperature: 0 °C to 40 °C
 Temperature class: TF 110
 Media temperature: -25 °C to 110 °C

Motor protection

The motor includes an integrated motor-protective circuit-breaker. External motor protection is not required.

Speed switching

The respective speed is set via a rotary switch integrated in the axial terminal box.

Sound pressure level

The sound pressure level is < 45 dB (A)

Minimum inflow pressure

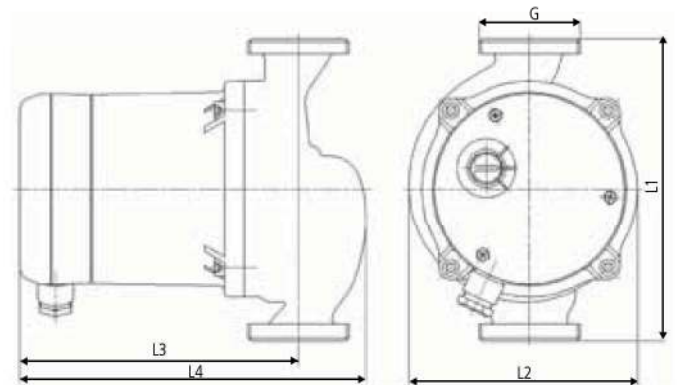
Please determine the minimum inflow pressure for corresponding temperature from the following table.

Media temperature	< 85 °C	90 °C	110 °C
Minimum inflow pressure	0.05 bar	0.3 bar	1.10 bar

Dimensions

Type	L1	L2	L3	L4
KGPA	180	135.5	166	206

Dimension illustration



Cold water circulation pumps (geothermy), pressure head 7-12 m

KGPA series, KG product group



Technical data

Type	Connection pipe	Threaded connection	Installation length (mm)	Voltage (V)	P1 (W)	In (A)	Weight (kg)	Product no.
*KGPA 25-7.0 U 180	1"	1½"	180	230	220 ... 260	1.03 ... 1.13	6.5	0313-51207
*KGPA 25-8.0 U 180	1"	1½"	180	230	260 ... 286	1.23 ... 1.25	6.5	0313-51208
*KGPA 25-10.0 U 180	1"	1½"	180	230	283 ... 357	1.35 ... 1.56	6.5	0313-51210
*KGPA 25-12.0 U 180	1"	1½"	180	230	285 ... 400	1.36 ... 1.73	6.5	0313-51212
*KGPA 30-7.0 U 180	1¼"	2"	180	230	220 ... 260	1.03 ... 1.13	6.6	0314-51207
*KGPA 30-8.0 U 180	1¼"	2"	180	230	260 ... 286	1.23 ... 1.25	6.6	0314-51208
*KGPA 30-10.0 U 180	1¼"	2"	180	230	283 ... 357	1.35 ... 1.56	6.6	0314-51210
*KGPA 30-12.0 U 180	1¼"	2"	180	230	285 ... 400	1.36 ... 1.73	6.6	0314-51212

* Also available with DN 40

