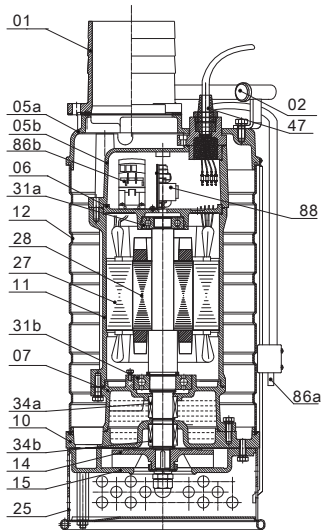
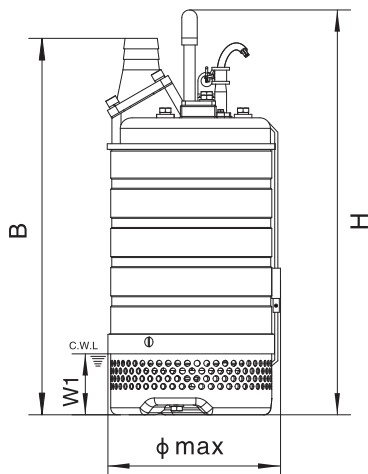


1.5-5.5kW



7.5-11kW



W1: Continuous running water level

Materials of construction

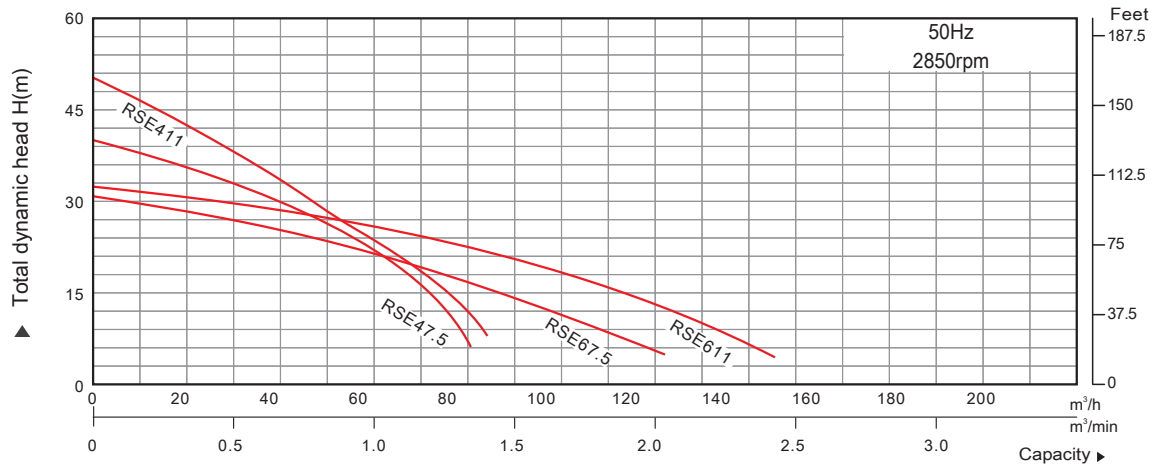
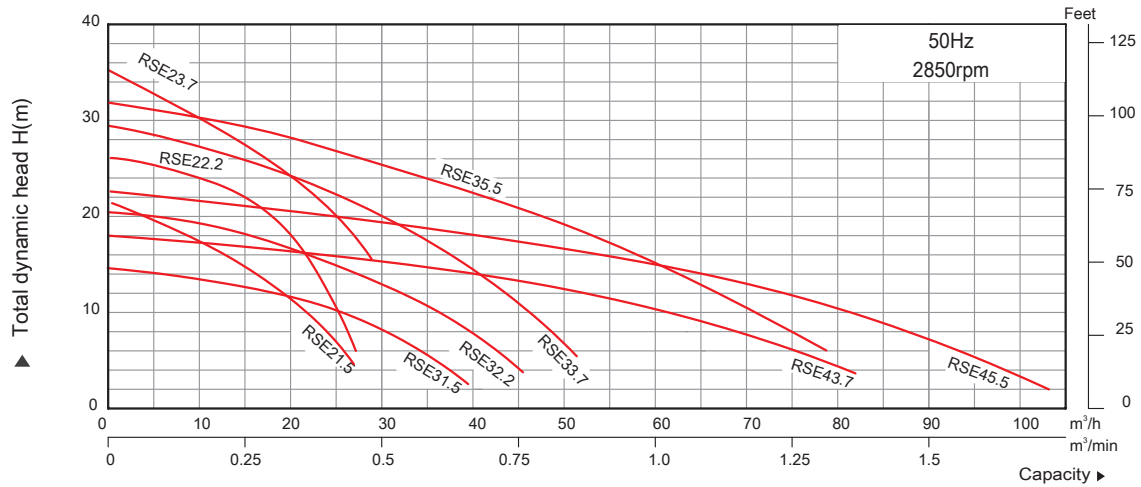
Item No.	Part name	Material
01	Hose coupling	Cast iron
02	Handle	Rubber&steel
05a	Upper cover	Cast iron
05b	Upper cove	Cast iron
06	Up-Bearing house	Cast iron
07	Bearing house	Cast iron
10	Seal bracket	Cast iron
11	Motor casing	AISI304SS
12	outer casing	AISI304SS
14	Impeller	High chrome alloy
15	Diffuser	Ductile iron
25	Strainer	Steel
27	Stator	
28	Rotor	Shaft:AISI420SS
31a	Bearing	
31b	Bearing	
34	Mechanical seal	Sic-Sic/Carbon-sic(≤2.2kW) Sic-Sic/Sic-sic(3.7-5.5kW)
35	Oil seal	
47	Cable	
86a	Water level sensor	
86b	AC Contactor	
88	Controller block	

Optional:AISI304SS

Item No.	Part name	Material
01	Hose coupling	Cast iron
02	Handle	steel
05a	Upper cover	Cast iron
05b	Upper cove	Cast iron
06	Up-Bearing house	Cast iron
07	Bearing house	Cast iron
10	Seal bracket	Cast iron
11	Motor casing	Cast iron
12	outer casing	AISI304SS
14	Impeller	High chrome alloy
15	Diffuser	Ductile iron
25	Strainer	Steel
27	Stator	
28	Rotor	Shaft:AISI420SS
31a	Bearing	
31b	Bearing	
34a	Mechanical seal	Sic-Sic (7.5-11kW)
34b	Mechanical seal	Sic-Tc (7.5-11kW)
47	Cable	
86a	Water level sensor	
86b	AC Contactor	
88	Controller block	

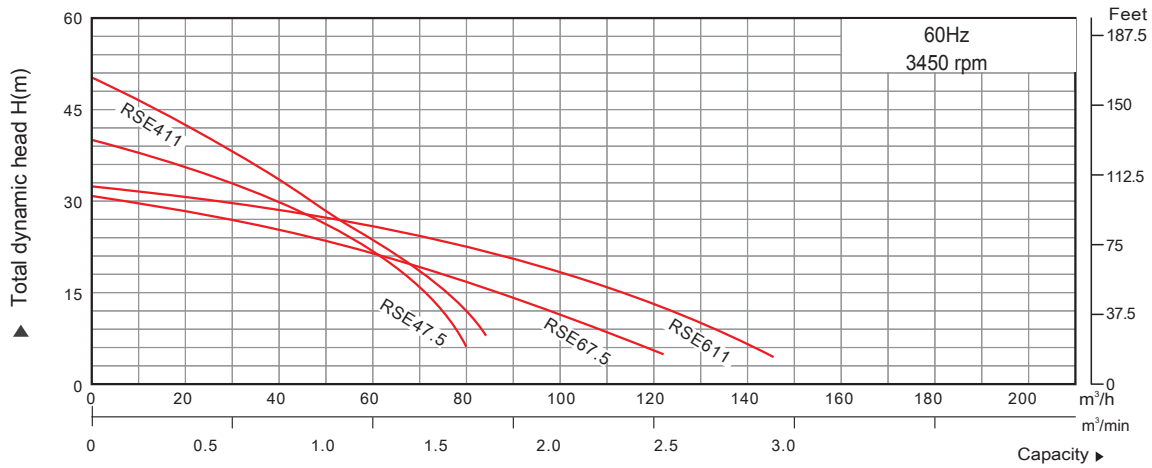
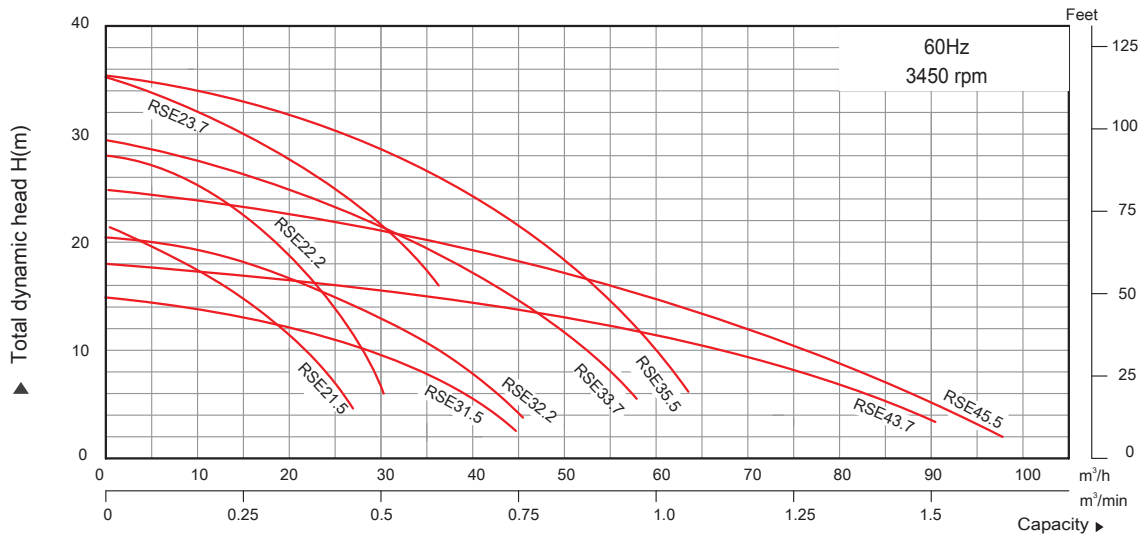
MODEL	H	B	φ max	W1
RSE21.5	615	590	260	87
RSE31.5	615	590	260	87
RSE22.2	615	590	260	87
RSE32.2	615	590	260	87
RSE23.7	565	660	320	76
RSE33.7	565	660	320	76
RSE43.7	565	660	320	76
RSE35.5	605	700	320	76
RSE45.5	605	700	320	76
RSE47.5	772	882	375	142
RSE67.5	772	882	375	142
RSE411	817	927	375	142
RSE611	817	927	375	142

Performance curves



Model(50Hz)	Outlet	Motor power		Max head	Max capacity		Impeller passage	N.W	G.W	Packing dimension
	mm	kW	HP	m	m ³ /h	m ³ /min	mm	Kg	Kg	mm
RSE21.5	50	1.5	2	22	27	0.45	8.5	37	41	690X270X305
RSE31.5	80	1.5	2	14.5	40	0.67	8.5	37	41	690X270X305
RSE22.2	50	2.2	3	26	27	0.45	8.5	39.5	43.5	690X270X305
RSE32.2	80	2.2	5	21	50	0.83	8.5	39.5	43.5	690X270X305
RSE23.7	50	3.7	5	34	29	0.48	8.5	60.5	66.5	730X320X345
RSE33.7	80	3.7	5	29	55	0.92	8.5	60.5	66.5	730X320X345
RSE43.7	100	3.7	5	18	90	1.5	8.5	60.5	66.5	730X320X345
RSE35.5	80	5.5	7.5	32	70	1.17	8.5	67	73	770X320X345
RSE45.5	100	5.5	7.5	23	105	1.75	8.5	67	73	770X320X345
RSE47.5	100	7.5	10	40	84	1.45	11.5	117	127	930X390X460
RSE411	100	11	15	48.5	86.4	1.44	11.5	132	142	990X390X460
RSE67.5	150	7.5	10	31	124.8	2.08	19.5	119	129	930X390X460
RSE611	150	11	15	32	147	2.45	19.5	134	144	990X390X460

Performance curves



Model(60Hz)	Outlet	Motor power		Max head	Max capacity		Impeller passage	N.W	G.W	Packing dimension
	mm	kW	HP	m	m ³ /h	m ³ /min	mm	Kg	Kg	mm
RSE21.5	50	1.5	2	21	25	0.42	8.5	35	39	690X270X305
RSE31.5	80	1.5	2	15	45	0.75	8.5	35	39	690X270X305
RSE22.2	50	2.2	3	28	31	0.52	8.5	37.5	41.5	690X270X305
RSE32.2	80	2.2	3	20.5	47	0.78	8.5	37.5	41.5	690X270X305
RSE23.7	50	3.7	5	34.5	35	0.58	8.5	58.5	64	730X320X345
RSE33.7	80	3.7	5	29	55	0.92	8.5	58.5	64	730X320X345
RSE43.7	100	3.7	5	18	90	1.5	8.5	58.5	64	730X320X345
RSE35.5	80	5.5	7.5	35	62	1.03	8.5	65	70.5	770X320X345
RSE45.5	100	5.5	7.5	24.4	97	1.62	8.5	65	70.5	770X320X345
RSE47.5	100	7.5	10	40	80	1.33	11.5	117	127	930X390X460
RSE411	100	11	15	48	84	1.4	11.5	132	142	990X390X460
RSE67.5	150	7.5	10	31	122	2.03	19.5	119	129	930X390X460
RSE611	150	11	15	32	147	2.45	19.5	134	144	990X390X460