

SME

Single-channel closed impeller

All product images are indicative only



General characteristics

Single-channel closed impeller	
motor power	1,5 kW
poles	2
discharge	GAS 2" - DN80 horizontal
free passage	max 50 mm
max flow rate	16.1 l/s
max head	17.2 m

Electromechanical assembly

Electromechanical assembly in GJL-250 cast iron, for submerged operation. Seal set comprising 1 (one) silicon carbide mechanical seal and 1 (one) lip seal. Ecological dry motor.

Applications

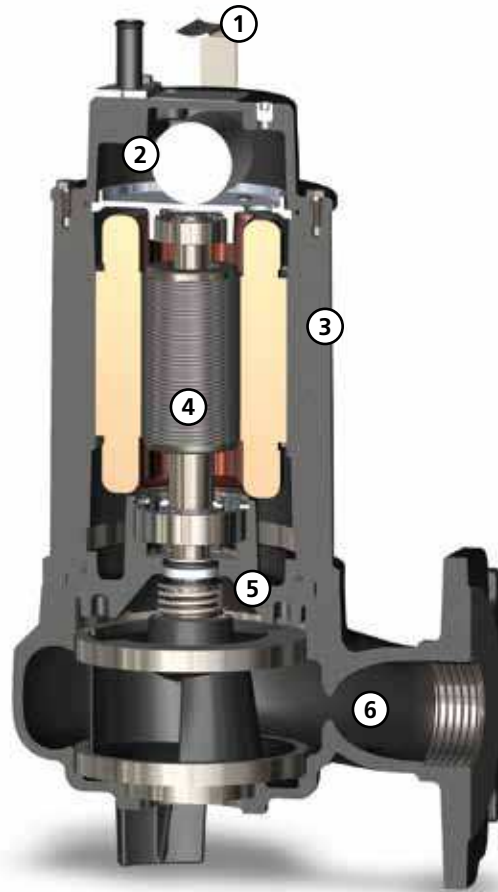
Suitable for pumping wastewater in small sewer systems, livestock farms, the food industry, agriculture and irrigation.

Construction materials

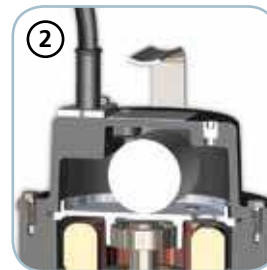
Case	Cast iron EN-GJL 250
Impeller	Cast iron EN-GJL-250
Nuts and bolts	Stainless steel - Class A2-70
Standard gasket	Rubber - NBR
Shaft	Stainless steel - AISI 420
Paint type	Ecological bicomponent epoxy (medium thickness 80 µm)
Set of standard mechanical seals	One silicon carbide mechanical seal (SiC) and one lip seal

Operating limits

Maximum operating temperature	40 °C
PH of treated fluid	6 ÷ 14
Viscosity of treated fluid	1 mm ² /s
Maximum immersion depth	20 m
Density of treated fluid	1 Kg/dm ³
Maximum acoustic pressure	70 dB
max starts per hour	30



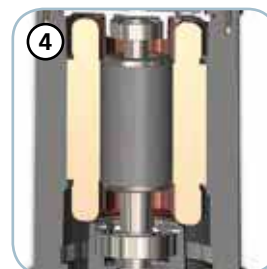
Handle
AISI 304 stainless steel lifting and carrying handle



Capacitor/relay
Single-phase models with internal capacitor. Three-phase models with motor protection relay



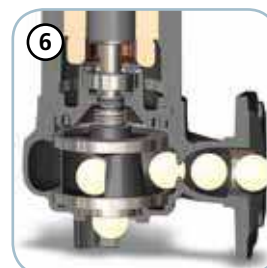
Structure
Constructed in GJL-250 cast iron



Motor
Ecological dry motor with thermal protections



Mechanical seals
One mechanical seal in silicon carbide (SiC) and one lip seal



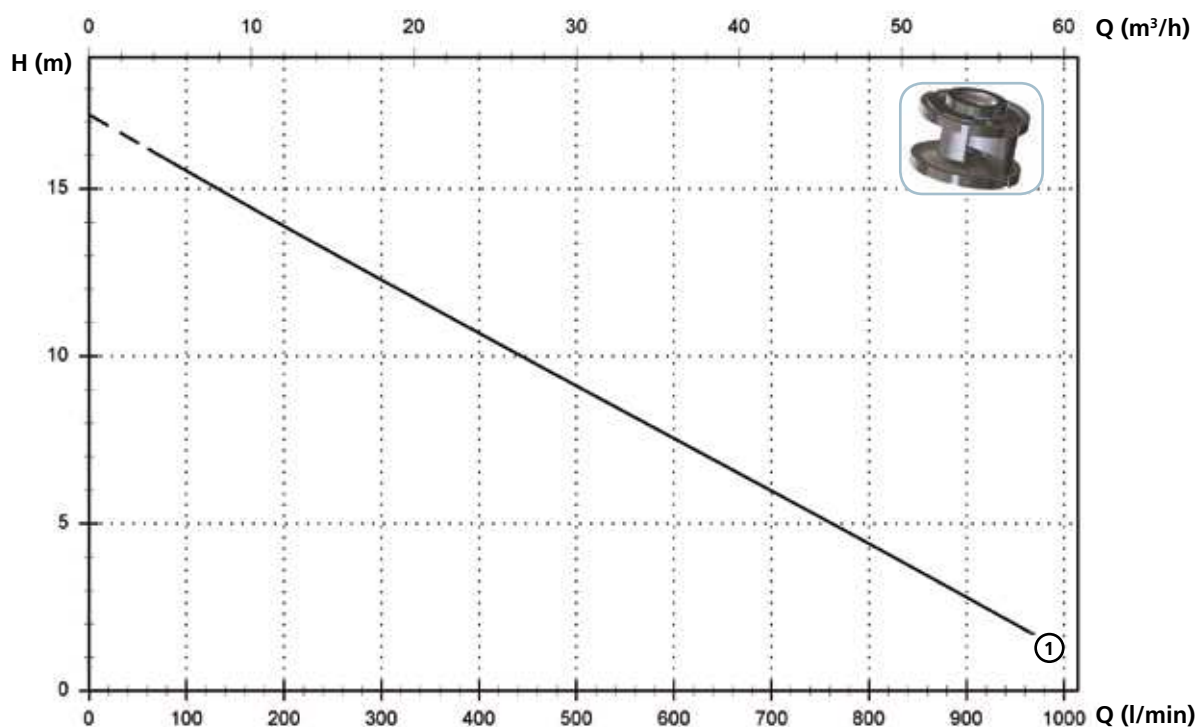
Free passage
Wide free passage allowing the expulsion of solids and preventing fouling of the impeller

SME

Models with horizontal GAS 2" threaded and DN80 PN10 flanged discharge - 2 poles

Performances

	l/s	0	2	4	6	8	10	12	14	16
	l/min	0	120	240	360	480	600	720	840	960
	m ³ /h	0	7.2	14.4	21.6	28.8	36.0	43.2	50.4	57.6
① SME 200/2/G50H A0CM(T)/50		16.8	15.2	13.2	11.3	9.4	7.5	5.7	3.8	1.8



Technical data

	V	Phases	P1 (kW)	P2 (kW)	A	Rpm	Start	Ø	Cable (*)	Free passage
① SME 200/2/G50H A0CM/50	230	1	1.8	1.5	9.3	2900	Dir	G 2"- DN80 PN10	A	50 mm
① SME 200/2/G50H A0CT/50	400	3	2.0	1.5	3.5	2900	Dir	G2"- DN80 PN10	B	50 mm

(*) A = H07RN-F 3G1 - 5 m cable length. Optional 10 m cable length with schuko plug.
 B = H07RN-F 4G1 - 10 m cable length

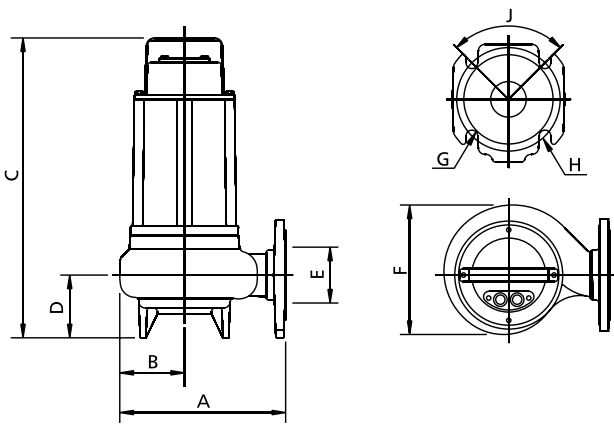
Attention: Standard EN 60335-2-41 requires the use of a 10 m cable length in outdoor applications

Versions available

(Key to versions on page 16)

	Electrical variants										Cooling				Mechanical seals				
	N A E	T C	T C D	T C D T	T C D G T	T C G	T C S T	T C S G T	T S	T R	T R G	N	CC CCE	FT	C G F T	2SIC	SICM	SICAL	2SICAL
SME 200/2/G50H A0CM/50		●				●					●						●		
SME 200/2/G50H A0CT/50									●	●	●						●		

Overall dimensions and weights



	A	B	C	D	E	F	G	H	J	kg
SME 200/2/G50H A0CM(T)/50	255	100	465	95	G 2"	200	18	160	90°	31

Dimensions in mm

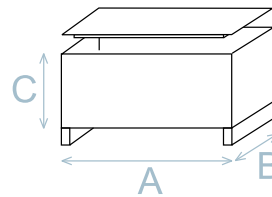
All weights and dimensions are indicative only

Packaging dimension

	A	B	C
SME 200/2/G50H A0CM(T)/50	725	445	415

Dimension in mm

All weights and dimensions are indicative only



Installations available

