

Type ZLND 32125 . . . 300500

TECHNICAL DATA

Flow:	max. 1800 m ³ /h
Head:	max. 140 m
Speed:	max. 3600 rpm
Material:	cast iron (0B, 0C, 0E), spheroidal cast iron (1B) and stainless steel (4B)
Temperature:	max. 170 °C depending on the shaft sealing and material execution. (Hot water ¹⁾ up to 140°C)
Casing Pressure:	material design 4B PN 16 0B, 0C, 0E, 1B PN 16 / 10 ¹⁾ / 14 ²⁾
Shaft sealing:	mechanical seal or stuffing box
Flange connections:	material design 4B DIN 2501 PN 16 0B, 0C, 0E, 1B DIN 2501 PN 16
Direction of rotation:	clockwise when looking at the pump from the drive end.



APPLICATION

Volute casing pumps of the ZLN range (meeting DIN 24255 / EN 733 and ISO 9908) are used when clear or turbid liquids free from solid particles are to be pumped. Application areas for pumps in this range include:

- Automobile, mechanical and general engineering industries
- Food and beverage industry
- Pharmaceutical industry
- Paint industry
- Plastic and rubber industry
- Iron and non-ferrous metal industry
- Paper and pulp industry
- Textile industry
- Building and construction industry
- Heating and air conditioning
- Drainage
- Water supply
- Irrigation

A range of materials is available to meet the specific needs of customers. For applications not covered by this pump range we offer the ISOchem range.

DESIGN

Horizontal, single-stage volute casing pumps with connections and main dimensions to DIN 24255 / EN 733, plus 19 additional sizes. The design of the pump allows the complete drive unit to be withdrawn from the casing without disturbing the attached pipe work. If a spacer type coupling is used, it is also unnecessary to disconnect the motor.

The range covers 50 sizes with only 5 different bearing brackets.

CONSTRUCTION

Casing pressure:

Material 4B:	max 16 bar from - 40 °C to +120 °C max 14 bar from 120°C up to +170 °C
Material 0B, 0C, 0E, 1B:	max 16/10 ¹⁾ /14 ²⁾ bar from - 20 °C to +120 °C max 14/9 ⁴⁾ /8 ²⁾ bar from 120 °C up to +170 °C

Max. casing pressure= inlet pressure + delivery head at zero flow

Please note: The relevant technical regulations and safety rules must be observed.

Flanges location:

Axial suction flange, discharge flange radially upwards.

Flanges:

Material design 4B: Complies with DIN 2543 PN 16
Material design 0B, 0C, 0E, 1B: DIN 2533 PN 16
Flanges drilled according to ANSI 150 can be supplied.

133.65901.57.01 E

Bearings:

Bearing brackets 25, 35 and 45: Two ball bearings, lifetime greased (Z2), design code B, or oil lubrication, design code C.
Bearing brackets 55 and 65: One double row angular contact bearing on pump side, plus one ball bearing on drive side, grease lubricated S or oil lubricated T.

Shaft sealing (Stuffing box and single mechanical seal)

Code 041:	Self-sealed, uncooled packing rings
Code 052:	Uncooled packing rings, external sealing liquid
Code B27:	Unbalanced bellows mechanical seal, seal face materials WC/Carbon, elastomer EPDM
Code AF3:	Balanced mechanical seal, seal face materials SiC/Carbon, elastomer EPDM
Code BJ3:	Unbalanced bellows mechanical seal, seal face materials SiC/Carbon, elastomer EPDM
Code C23:	Unbalanced bellows mechanical seal, seal face materials SiC/Carbon, elastomer EPDM
Code AFS:	Balanced mechanical seal, seal face materials SiC/ SiC, elastomer FPM (Viton)
Code BJS:	Unbalanced bellows mechanical seal, seal face materials SiC/ SiC, elastomer FPM (Viton)
Code C2S:	Unbalanced bellows mechanical seal, seal face materials SiC/ SiC, elastomer FPM (Viton)
Code AFK:	Balanced mechanical seal, seal face materials SiC/carbon, elastomer FPM (Viton) double PTFE (Teflon) wrapped
Code AFJ:	Balanced mechanical seal, seal face materials SiC/carbon, elastomer FPM (Viton)
Code BJJ:	Unbalanced bellows mechanical seal, seal face materials SiC/Carbon, elastomer FPM (Viton)
Code C2J:	Unbalanced bellows mechanical seal, seal face materials SiC/Carbon, elastomer FPM (Viton)

Codes AX3, AXS, AXK: are equivalent to AF3, AFS, AFK plus quench

Codes AY3, AYS, AYK: are equivalent to AF3, AFS, AFK plus heating

Codes A93, A9S, A9K, A9J: are equivalent to AF3, AFS, AFK, AFJ plus external flushing

As an option, Code 051 (as 052, but with inlet and outlet) and other sealing execution can be supplied on request.

¹⁾ Water quality according to VdTÜV 1466; additional requirement: O₂ (oxygen) < 0,02 mg/l.

¹⁾ From 200315 to 300-500

²⁾ 150-500

⁴⁾ From 80-400 to 300-500 except 150-500

Shaft sealing (double mechanical seal):

Code M1S: Double mechanical seal in tandem arrangement, seal face materials SiC / SiC, elastomer FPM (Viton). Type GNZ.

Code N1S: Double mechanical seal in tandem arrangement, seal face materials SiC / SiC, elastomer FPM (Viton). Type M7N.

Code NFS: Double mechanical seal in back to back arrangement, seal face materials SiC / SiC, elastomer FPM (Viton). Type M7N.

Material design:

Item	Component	Material					Construction					
		Mat. N°	DIN denomination	ISO EN denomination	US Material		0B	0C	0E	1B	4B	
					ASTM Standard	AISI						
10.20	Volute casing	EN-JL 1040 1.4408 EN-JL1025	GG-25 GX6CrNiMo18 10 GGG-40.3	EN-GJL 250 GX5CrNiMo19-11-2 EN-GJS-400-18-LT	A 278 Cl. 30 A 351 CF8M A 395	316	x	x	x		x	
16.10	Casing cover	EN-JL 1040 1.4408 EN-JL1025	GG-25 GX6CrNiMo18 10 GGG-40.3	EN-GJL 250 GX5CrNiMo19-11-2 EN-GJS-400-18-LT	A 278 Cl. 30 A 351 CF8M A 395	316	x	x	x		x	
21.00	Shaft	1.0503 1.4021 1.4401	C 45 X 20 Cr13 X5CrNiMo17 12 2	C 45 X 20 Cr13 X5CrNiMo17 12 2	A 576 Gr1045 A 276 Type 420 A 167 Gr316	1045 420 316	x(*) x x(**)	x(*) x x	x(*) x x(**)		x x x	
23.00	Impeller	EN-JL 1040 2.1050 1.4408	GG-25 G-CuSn10 GX6CrNiMo18 10	EN-GJL 250 GX5CrNiMo19-11-2	A 278 Cl. 30 B 427 C91600 A 351 CF8M	316	x	x		x	x	
33.00	Bearing bracket	EN-JL 1040	GG-25	EN-GJL 250	A 278 Cl. 30		x	x	x	x	x	
52.30	Shaft sleeve / Mechanical seal	1.4021	X 20 Cr13	X 20 Cr13	A 276 Type 420	420	x	x	x			
52.40	Shaft sleeve / Stuffing box	1.4021 1.4401	X 20 Cr13 X5CrNiMo17 12 2	X 20 Cr13 X5CrNiMo17 12 2	A 276 Type 420 A 167 Gr316	420 316	x	x	x		x	
46.10	Shaft seal / Stuffing box	Soft packing						x	x	x		
43.30	Mechanical seal	Silicon Carbide / Carbon EPDM or Viton (See other options)						x	x	x	x	x
43.31	Mechanical seal	Silicon Carbide / Carbon EPDM or Viton (See other options)						x		x		x
43.32	Mechanical seal	Silicon Carbide / Carbon EPDM or Viton (See other options)						x		x		x

(*) Only in bearing brackets 55 and 65.

(**) For shaft sealing double mechanical seal

Casing gasket:

The casing is sealed by means of a confined flat gasket of EWP 210 material. Code of this design: 2

The casing is sealed by means of a confined flat gasket of PTFE. Code of this design: 4

Motor Power:

Using commercial electric motors, type of construction IM B3.

To determine the drive power we recommend the following safety margin:

Up to 4 kW: 25%

4 to 7,5 kW: 20%

above 7,5 kW: 15%

The following speeds must not be exceeded:

Size	max. speed rpm	Size	max. speed rpm	Size	max. speed rpm	Size	max. speed rpm
32125 32160	3600	32250	3000	40315 ³⁾ 50315 ³⁾	1800	150500 200315	1500
32200 40125		40250		65315 80315		200400 200500	
40160 40200		50250		80400 100315		250300 250315	
50125 50160		65250		100400 125250		250400 250500	
50200 65125		80250		125315 125400		300400 300500	
65160 65200 ¹⁾		100250 ²⁾		150200 150250 ⁴⁾			
80160 ¹⁾ 80200		125200 ²⁾		150315 150400			
100160 100200		200250					

¹⁾ In material design 4B max. speed 3000 rpm

²⁾ In material design 4B max. speed 1800 rpm

³⁾ In material design 0E, and 4B max. speed 3000 rpm

⁴⁾ In material design 4B max. speed 1500 rpm

The max. speeds are derived from the permissible shaft loads and the permissible peripheral speeds of the impellers

Bearing bracket / pump size:

Bracket 25	32125 32160 32200 32250 40125 40160 40200 40250 50125 50160 50200 50250 65125 65160 65200 80160
Bracket 35	40315 50315 65250 65315 80200 80250 80315 100160 100200 100250 100315 125200 125250 150200 150250
Bracket 45	80400 100400 125315 125400 150315 150400 200250
Bracket 55	150500 200315 200400 200500 250300 250315
Bracket 65	250400 250500 300400 300500

General comments:

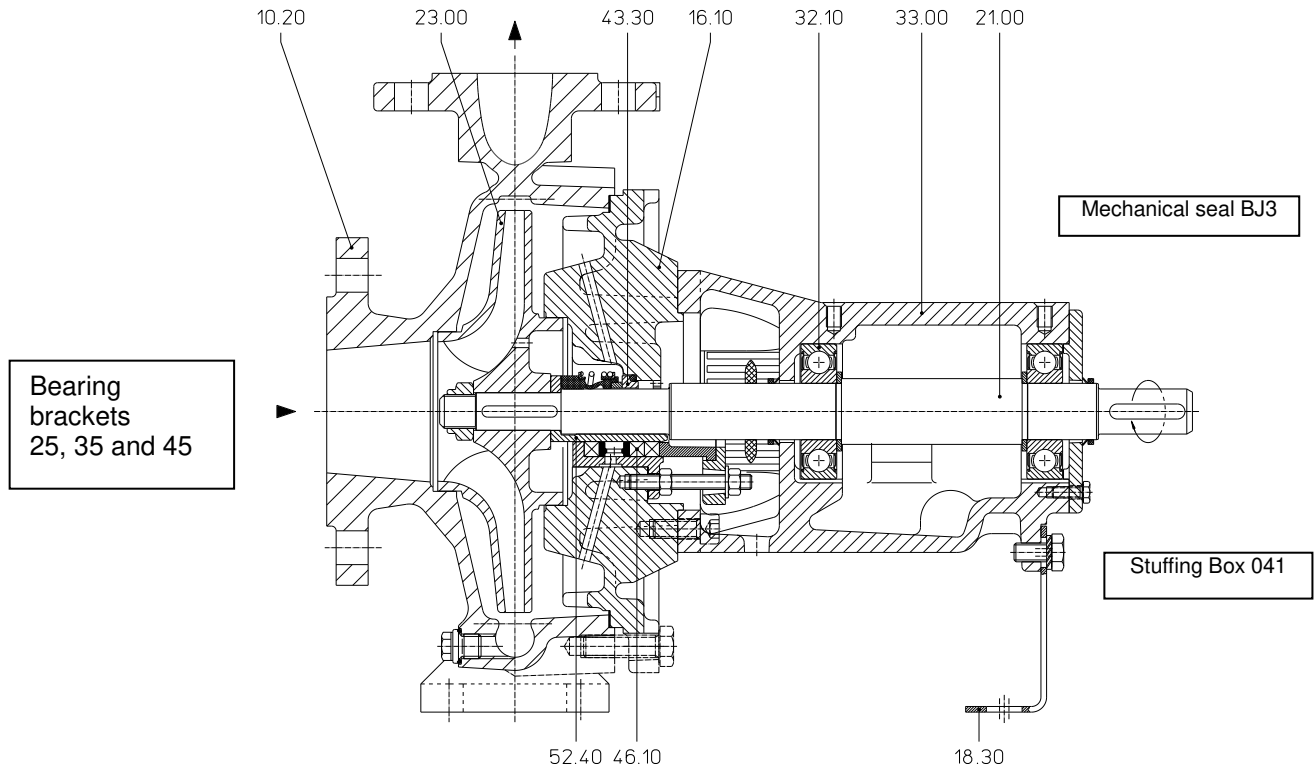
For horizontal volute pumps in CLOSE COUPLED construction with STANDARD motor for nominal performances and flange connections as per EN 733 refer to our series **ZLK**.

For INLINE pumps with the same drive unit, consisting of bearing bracket with bearing, stub shaft and mechanical seal, casing cover, impeller and impeller nut, refer to our series **ZLI** (supplied also with magnetic drive).

For equipping hot media systems a complete programme is available for a flow range between 1-1000 m³/h consisting of the range:

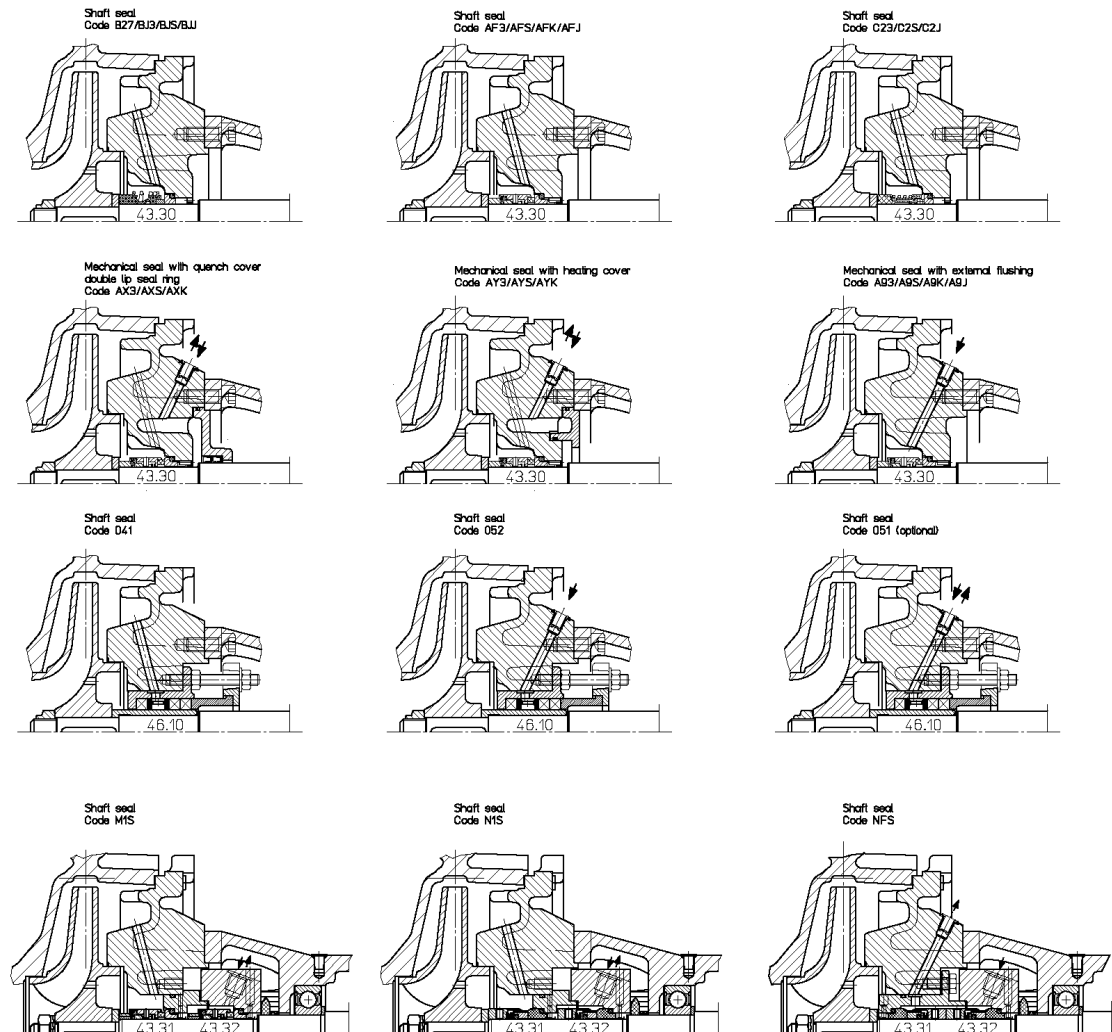
- ZTN** volute pumps to EN 733 design with base plate, t_{max} 350 °C PN 16. Heat transfer oil.
- ZTK** volute pumps to EN 733 close coupled design, t_{max} 350 °C PN 16. Heat transfer oil.
- ZTI** volute pumps to EN 733 as INLINE construction, t_{max} 350° C PN 16. Heat transfer oil.
- ZEN** volute pumps to EN 22858, t_{max} 230 °C PN 40. Hot water design.
- ZDN** volute pumps to EN 22858, t_{max} 185 °C PN 25. Hot water design.
- ZHN** volute pumps to EN 733, t_{max} 180 °C PN 16. Hot water design.
- ZLI** volute pumps to EN 733 as INLINE construction, t_{max} 150 °C PN 25. Hot water design.

SECTIONAL DRAWING AND NOMENCLATURE

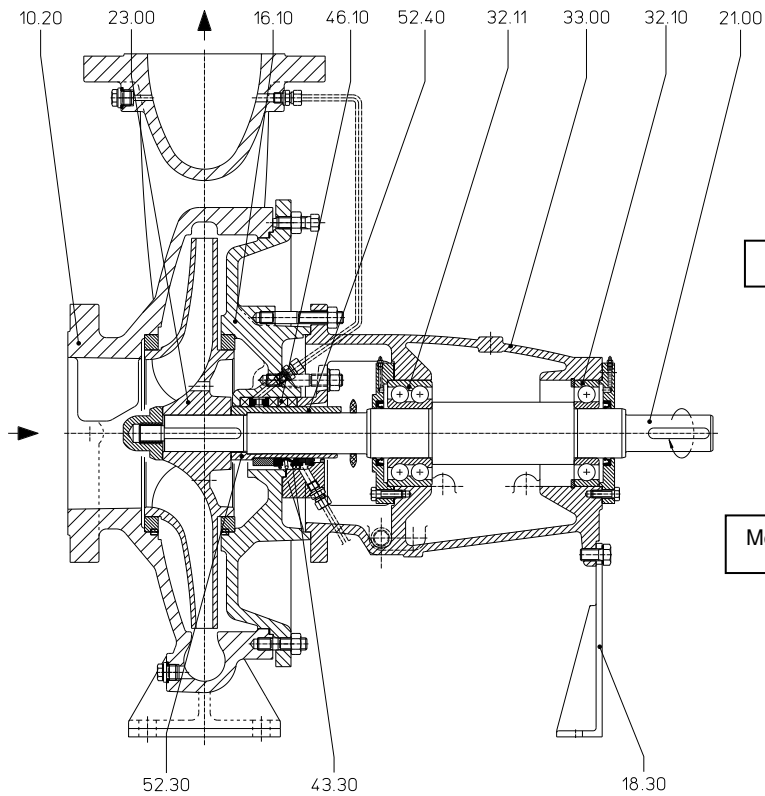


10.20	volute casing	23.00	impeller	43.30	mechanical seal
16.10	casing cover	32.10	ball bearing	46.10	stuffing box
18.30	support foot	33.00	bearing bracket	52.40	shaft sleeve (stuffing box)
21.00	shaft				

Shafts seals



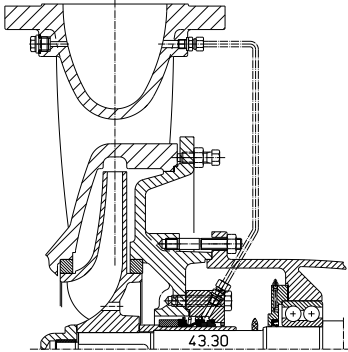
SECTIONAL DRAWING AND NOMENCLATURE



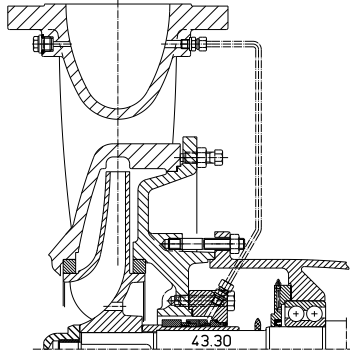
10.20	volute casing	23.00	impeller	43.30	mechanical seal
16.10	casing cover	32.10	ball bearing	46.10	stuffing box
18.30	support foot	32.11	ball bearing	52.30	shaft sleeve (mechanical seal)
21.00	shaft	33.00	bearing bracket	52.40	shaft sleeve (stuffing box)

Shaft seals

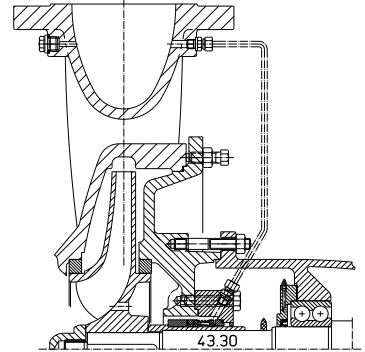
Shaft Seal
Code BJ3/BJ5/BJJ



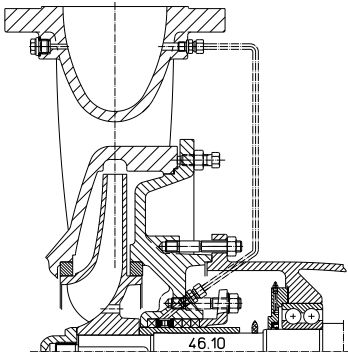
Shaft Seal
Code AF3/AF5/AFK



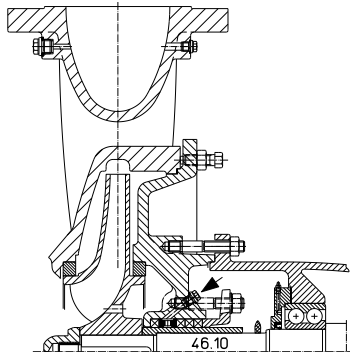
Shaft Seal
Code C23/C25/C2J



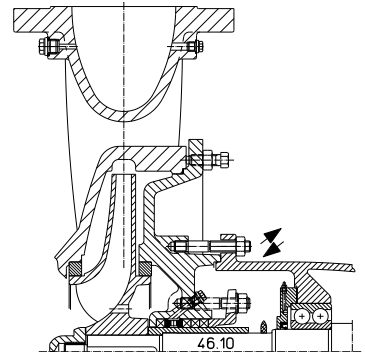
Shaft Seal
Code 041



Shaft Seal
Code 052

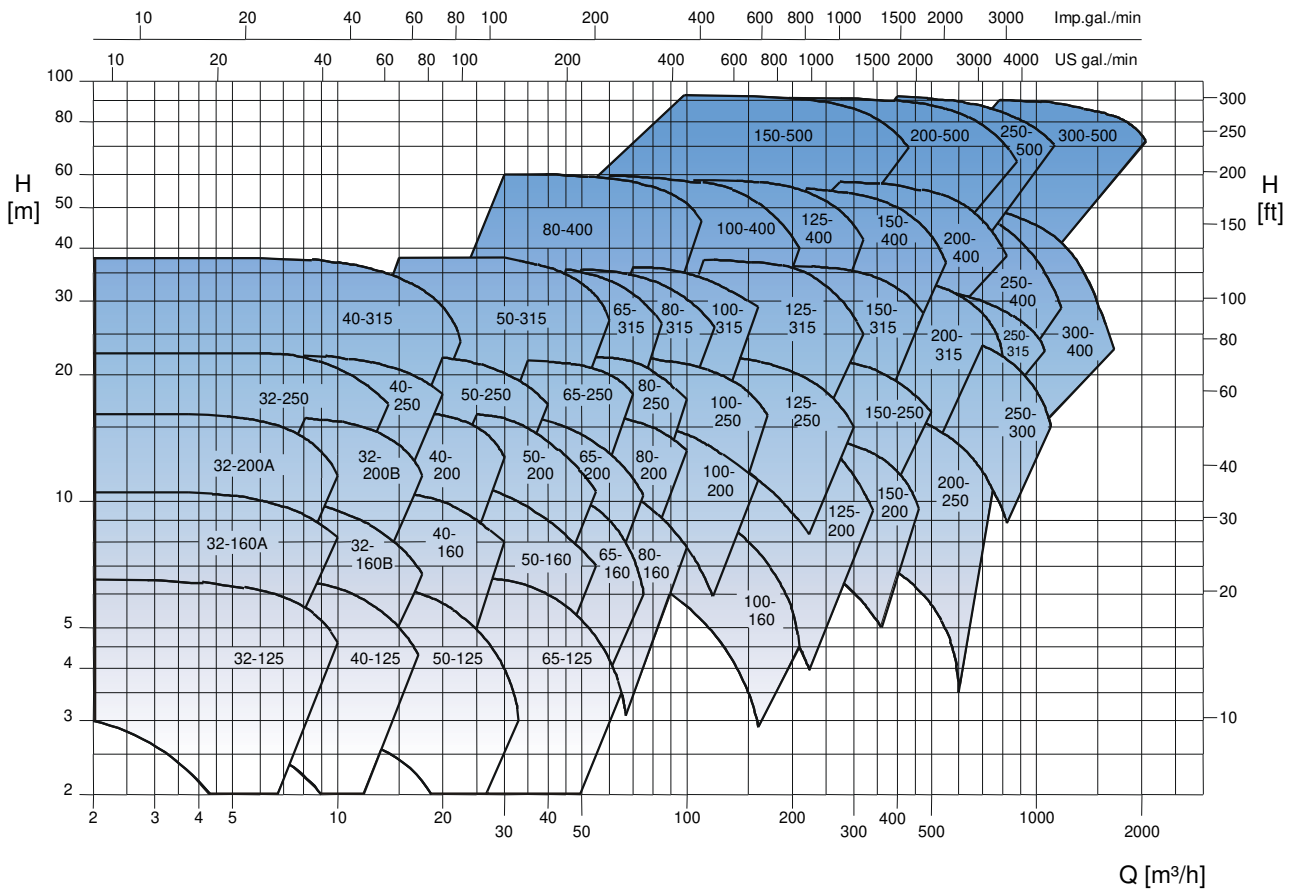


Shaft Seal
Code 051 (optional)

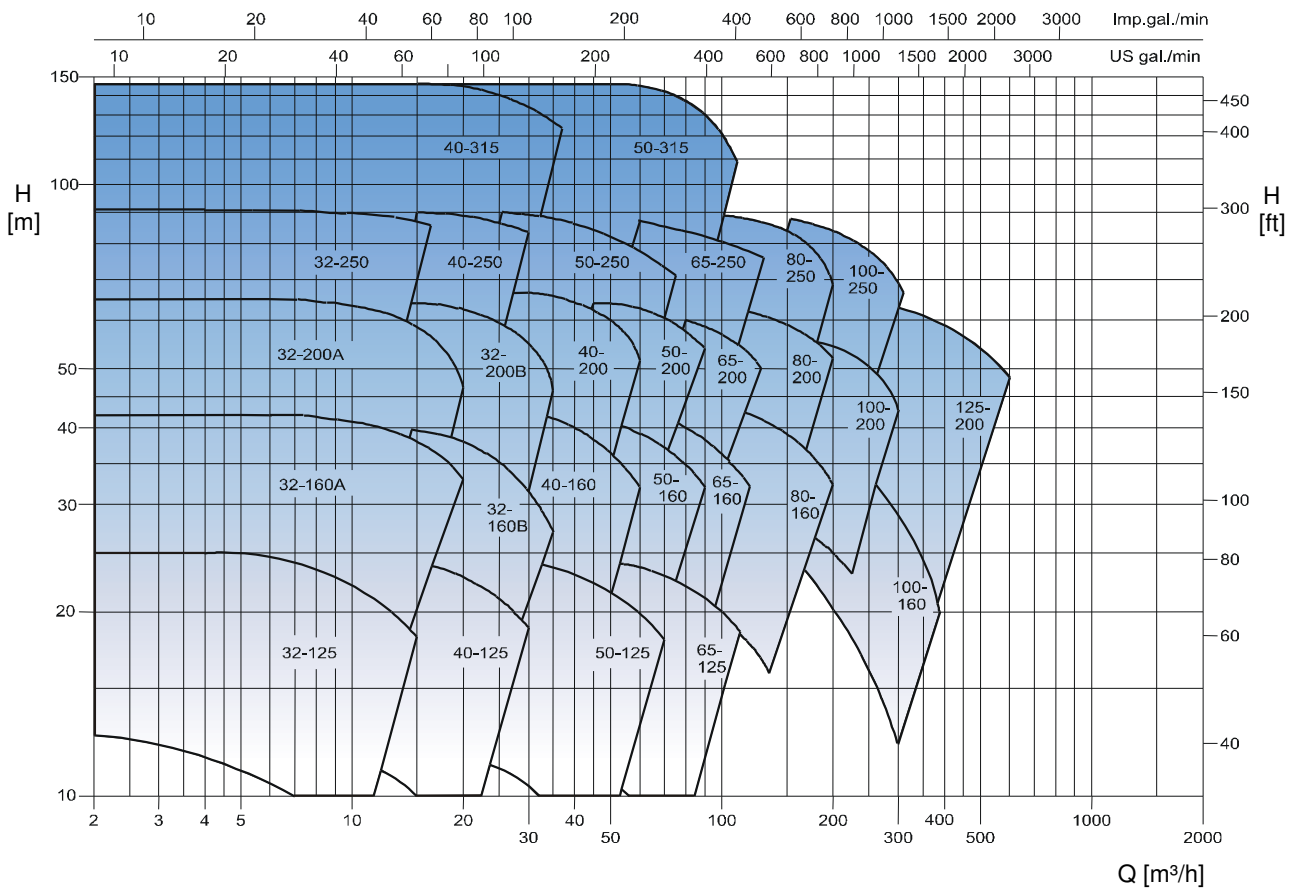


Performance Graph 50 Hz

n = 1450 rpm

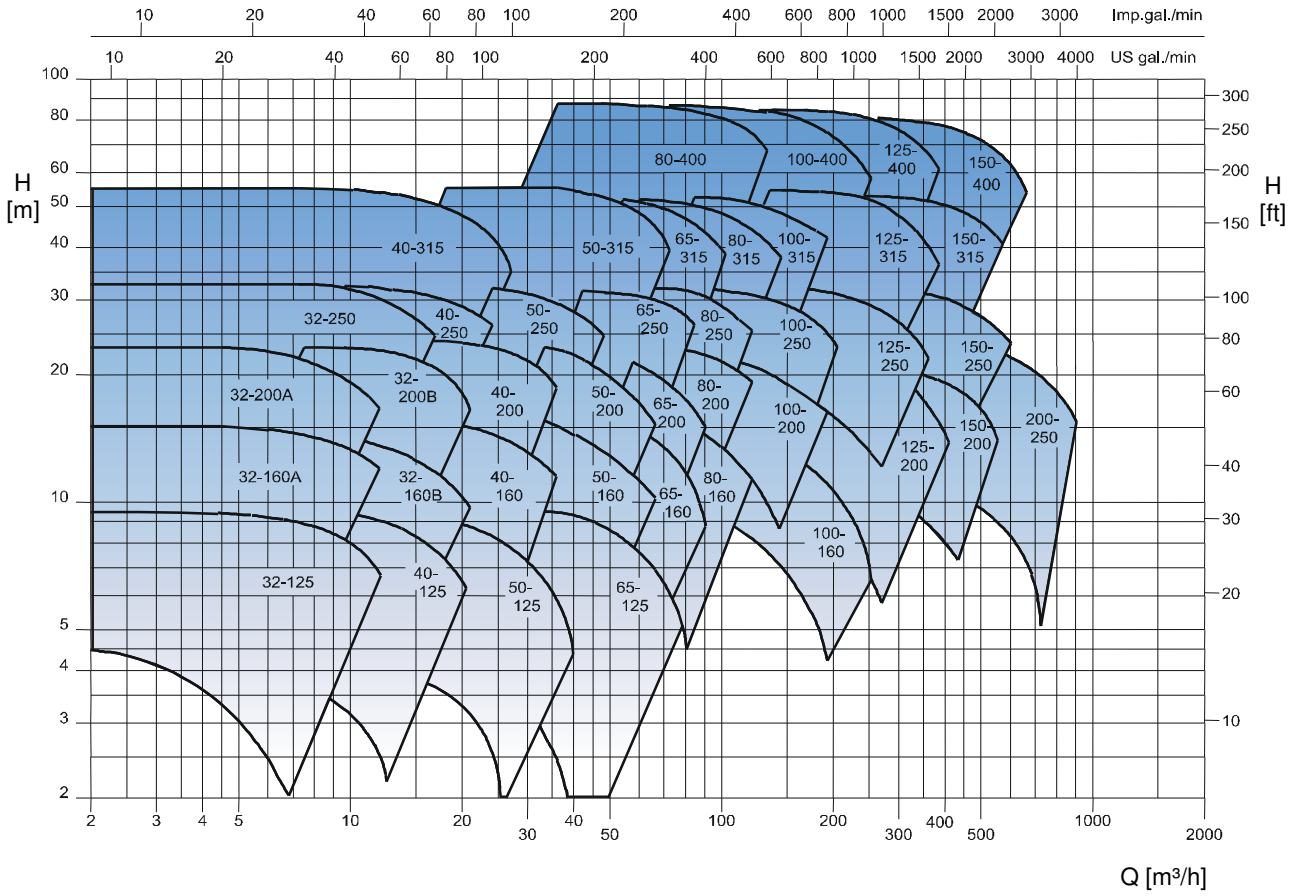


n = 2900 rpm



Performance Graph 60 Hz

n = 1750 rpm



n = 3500 rpm

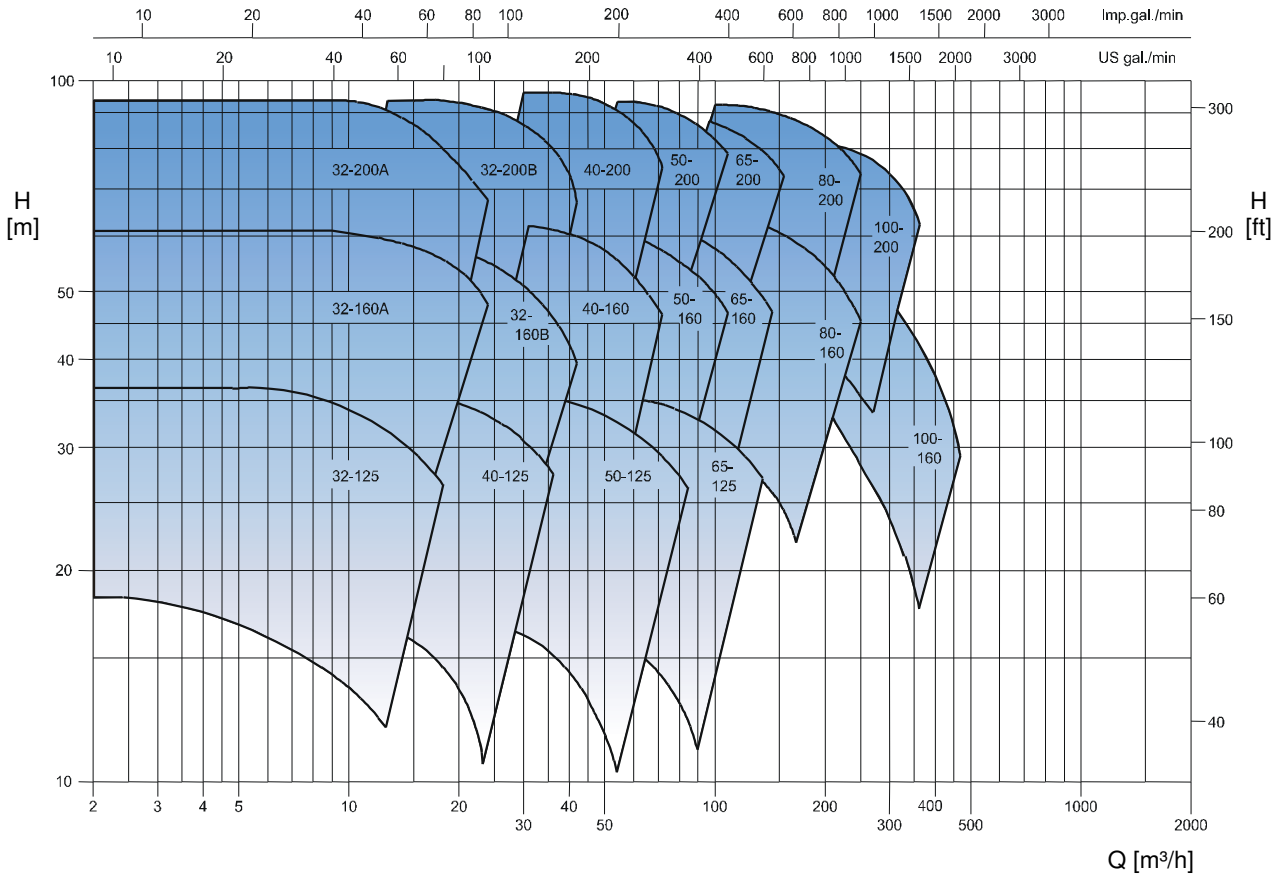
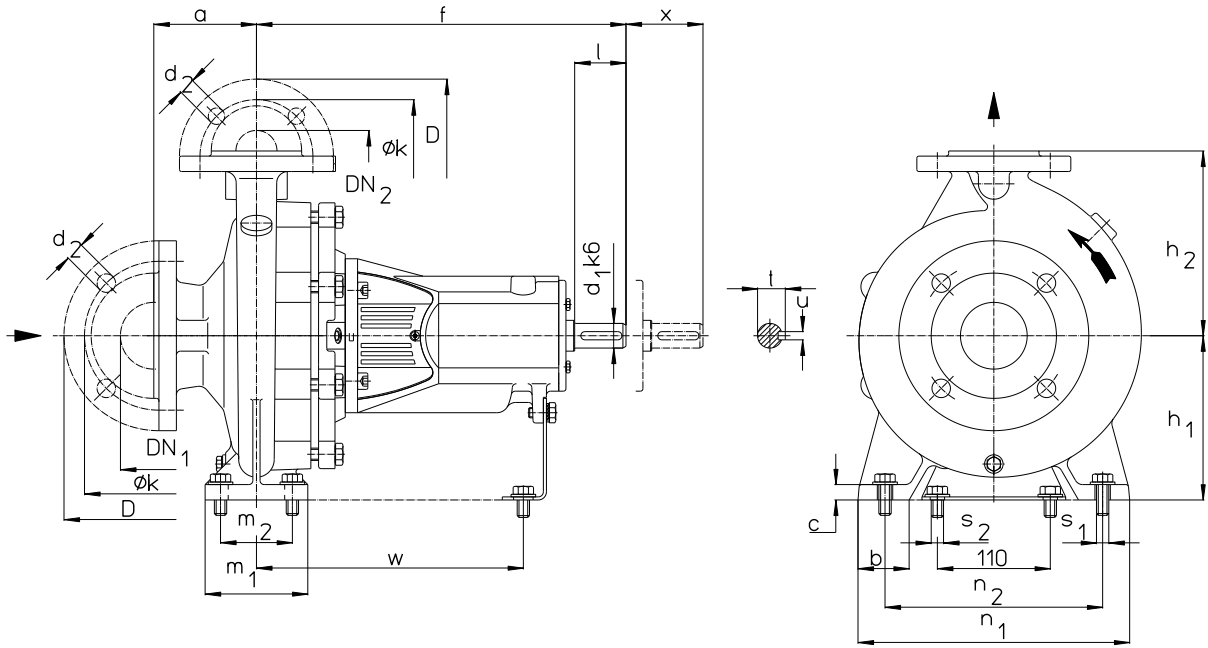


Table of Dimensions



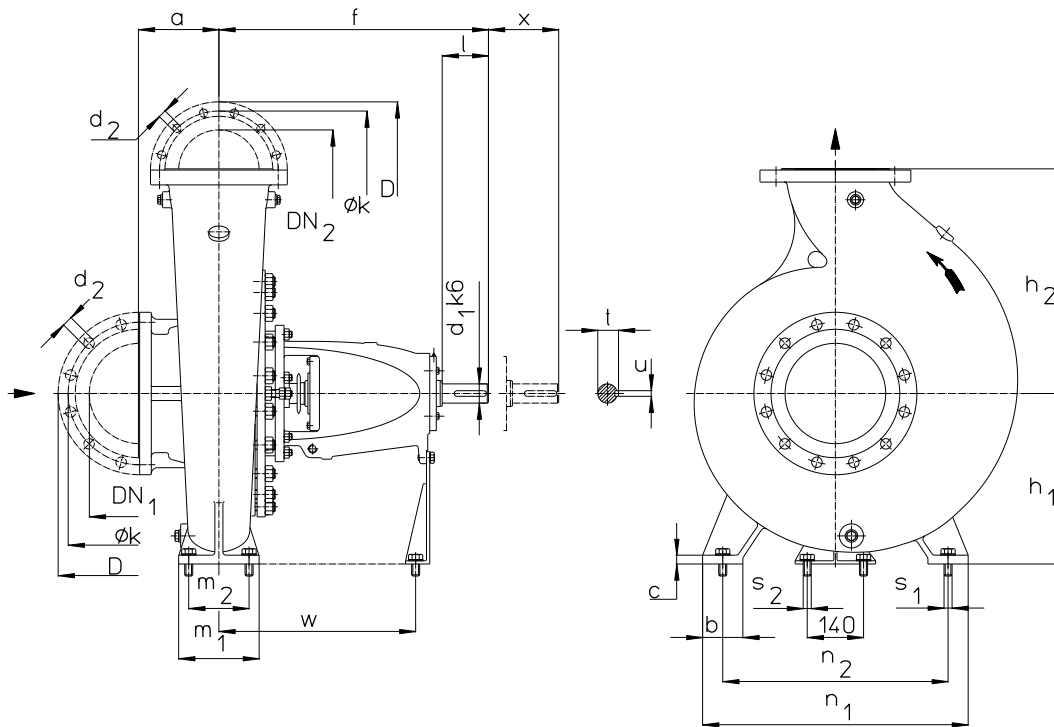
All dimensions in mm

Size	BB	Pump dimensions						Foot dimensions							Shaft end						
		DN ₂	DN ₁	a	f	h ₁	h ₂	b	c	m ₁	m ₂	n ₁	n ₂	s ₁ *	s ₂ *	w	x	d ₁	l	t	u
32125	25	32	50	80	360	112	140	50	15	100	70	190	140	M12	M12	260	100	24	50	27	8
32160	25	32	50	80	360	132	160	50	15	100	70	240	190	M12	M12	260	100	24	50	27	8
32200	25	32	50	80	360	160	180	50	15	100	70	240	190	M12	M12	260	100	24	50	27	8
32250 ¹⁾	25	32	50	100	360	180	225	65	15	125	95	320	250	M12	M12	260	100	24	50	27	8
40125	25	40	65	80	360	112	140	50	15	100	70	210	160	M12	M12	260	100	24	50	27	8
40160	25	40	65	80	360	132	160	50	15	100	70	240	190	M12	M12	260	100	24	50	27	8
40200	25	40	65	100	360	160	180	50	15	100	70	265	212	M12	M12	260	100	24	50	27	8
40250	25	40	65	100	360	180	225	65	15	125	95	320	250	M12	M12	260	100	24	50	27	8
40315 ¹⁾	35	40	65	125	470	225	250	65	18	125	95	345	280	M12	M12	340	100	32	80	35	10
50125	25	50	65	100	360	132	160	50	15	100	70	240	190	M12	M12	260	100	24	50	27	8
50160	25	50	65	100	360	160	180	50	15	100	70	265	212	M12	M12	260	100	24	50	27	8
50200	25	50	65	100	360	160	200	50	15	100	70	265	212	M12	M12	260	100	24	50	27	8
50250	25	50	65	100	360	180	225	65	15	125	95	320	250	M12	M12	260	100	24	50	27	8
50315 ¹⁾	35	50	65	125	470	225	280	65	17	125	95	345	280	M12	M12	340	100	32	80	35	10
65125	25	65	80	100	360	160	180	65	15	125	95	280	212	M12	M12	260	100	24	50	27	8
65160	25	65	80	100	360	160	200	65	15	125	95	280	212	M12	M12	260	100	24	50	27	8
65200	25	65	80	100	360	180	225	65	15	125	95	320	250	M12	M12	260	140	24	50	27	8
65250	35	65	80	100	470	200	250	80	15	160	120	360	280	M16	M12	340	140	32	80	35	10
65315	35	65	80	125	470	225	280	80	18	160	120	400	315	M16	M12	340	140	32	80	35	10
80160	25	80	100	125	360	180	225	65	15	125	95	320	250	M12	M12	260	140	24	50	27	8
80200	35	80	100	125	470	180	250	65	15	125	95	345	280	M12	M12	340	140	32	80	35	10
80250	35	80	100	125	470	200	280	80	18	160	120	400	315	M16	M12	340	140	32	80	35	10
80315	35	80	100	125	470	250	315	80	18	160	120	400	315	M16	M12	340	140	32	80	35	10
80400 ¹⁾	45	80	125	125	530	280	355	80	18	160	120	435	355	M16	M12	370	140	42	110	45	12
100160 ¹⁾	35	100	125	125	470	200	280	80	18	160	120	360	280	M16	M12	340	140	32	80	35	10
100200	35	100	125	125	470	200	280	80	18	160	120	360	280	M16	M12	340	140	32	80	35	10
100250	35	100	125	140	470	225	280	80	18	160	120	400	315	M16	M12	340	140	32	80	35	10
100315	35	100	125	140	470	250	315	80	18	160	120	400	315	M16	M12	340	140	32	80	35	10
100400	45	100	125	140	530	280	355	100	18	200	150	500	400	M20	M12	370	140	42	110	45	12
125200 ¹⁾	35	125	150	140	470	250	315	80	18	160	120	400	315	M16	M12	340	140	32	80	35	10
125250	35	125	150	140	470	250	355	80	18	160	120	400	315	M16	M12	340	140	32	80	35	10
125315	45	125	150	140	530	280	355	100	18	200	150	500	400	M20	M12	370	140	42	110	45	12
125400	45	125	150	140	530	315	400	100	18	200	150	500	400	M20	M12	370	140	42	110	45	12
150200 ¹⁾	35	150	200	160	470	280	400	100	20	200	150	550	450	M20	M12	340	140	32	80	35	10
150250 ¹⁾	35	150	200	160	470	280	400	100	20	200	150	500	400	M20	M12	340	140	32	80	35	10
150315	45	150	200	160	530	280	400	100	18	200	150	550	450	M20	M12	370	140	42	110	45	12
150400	45	150	200	160	530	315	450	100	18	200	150	550	450	M20	M12	370	140	42	110	45	12
200250 ¹⁾	45	200	200	160	590	280	400	100	22	200	150	500	400	M20	M12	430	180	42	110	45	12

¹⁾Transnorm pump sizes, not included in DIN 24255 / EN 733. Flanges drilled according to ANSI 150 on request.

* Slots suitable for bolts with dimensions indicated. Bolts are not included in the bare shaft pump standard scope of supply.

Table of Dimensions



All dimensions in mm

Size	BB	Pump dimensions						Foot dimensions						Shaft end							
		DN ₂	DN ₁	a	f	h ₁	h ₂	b	c	m ₁	m ₂	n ₁	n ₂	s ₁ *	s ₂ *	w	x	d ₁	l	t	u
150500 ¹⁾	55	150	200	180	670	400	500	100	22	200	150	640	540	M20	M16	489	180	50	115	53.5	14
200315 ¹⁾	55	200	250	200	670	355	450	100	22	200	150	550	450	M20	M16	489	180	50	115	53.5	14
200400 ¹⁾	55	200	250	180	670	355	500	100	22	200	150	550	450	M20	M16	489	180	50	115	53.5	14
200500 ^{1) 3)}	55	200	250	200	670	425	560	100	22	200	150	660	560	M20	M16	489	180	50	115	53.5	14
250300 ¹⁾	55	250	300	305	655	425	550	120	28	240	190	700	600	M20	M16	474	180	50	115	53.5	14
250315 ¹⁾	55	250	300	250	670	375	560	120	28	240	190	620	520	M20	M16	489	180	50	115	53.5	14
250400 ¹⁾	65	250	300	250	720	400	600	120	29	240	190	700	600	M20	M16	508	180	60 ²⁾	145	64	18
250500 ¹⁾	65	250	300	250	720	450	670	120	32	240	190	750	650	M20	M16	508	180	60 ²⁾	145	64	18
300400 ¹⁾	65	300	350	300	720	425	670	120	30	250	190	760	660	M24	M16	508	180	60 ²⁾	145	64	18
300500 ¹⁾	65	300	350	300	720	480	670	140	32	250	190	840	720	M24	M16	508	180	60 ²⁾	145	64	18

¹⁾ Transnorm pump sizes, not included in DIN 24255 / EN 733. Flanges drilled according to ANSI 150 on request.

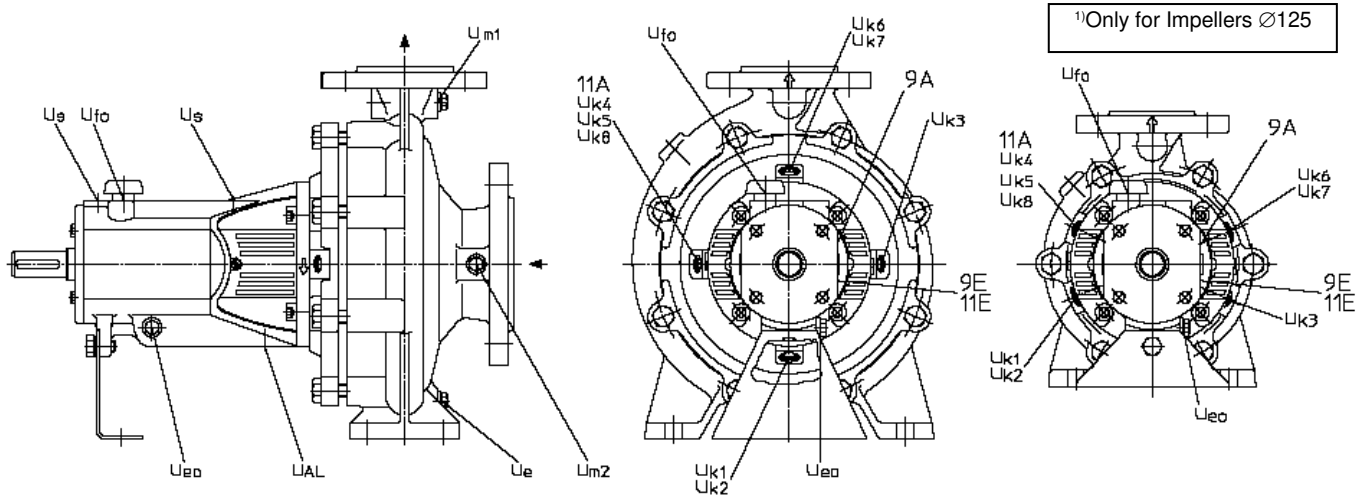
²⁾ For these sizes the clearance corresponds to M6.

³⁾ Discharge flange 12 x threaded drillings/M20 (only for PN 16 flanges).

* Slots suitable for bolts with dimensions indicated. Bolts are not included in the bare shaft pump standard scope of supply.

Flange connections to DIN 2501 PN 16														DIN 2501 PN 10			
DN ₂ /DN ₁	32	40	50	65	80	100	125	150	200	250	300	350	400	100	125	150	200
D	140	150	165	185	200	220	250	285	340	405	460	520	580	220	250	285	340
k	100	110	125	145	160	180	210	240	295	355	410	470	525	180	210	240	295
d ₂ x number	18x4	18x4	18x4	18x4	18x8	18x8	18x8	22x8	22x12	26x12	26x12	26x16	30x16	18x8	18x8	22x8	22x8

Connections for bearing brackets 25, 35 and 45



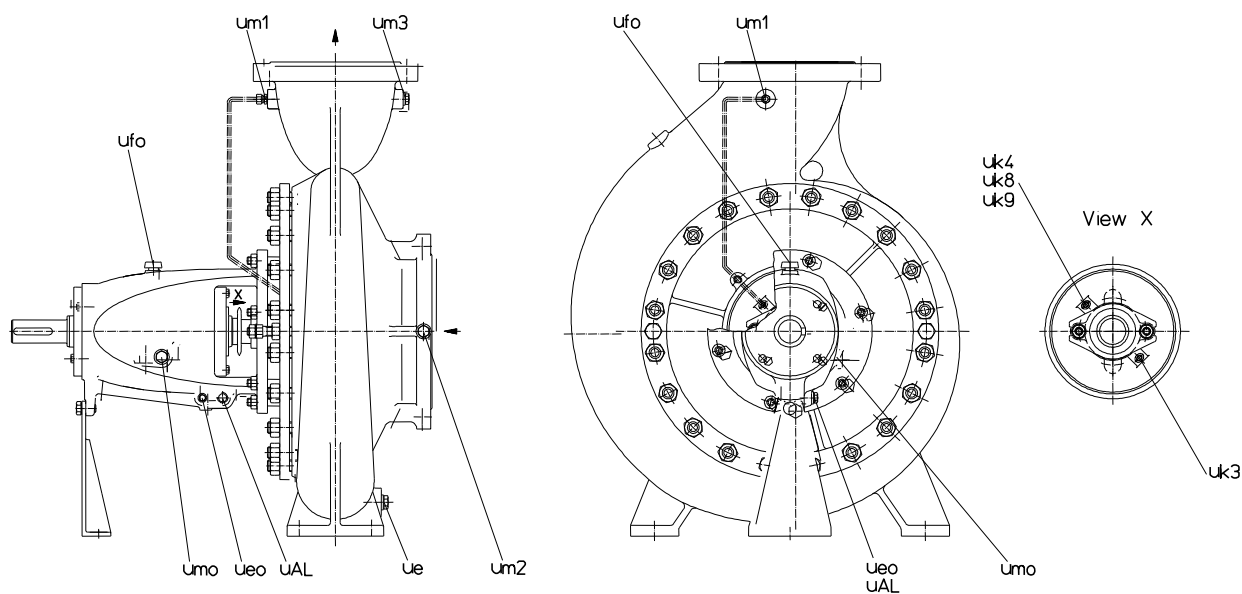
- U_{m1} : Pressure gauge. Only available on request
- U_{m2} : Pressure gauge. Only available on request
- U_e : Drainage
- U_{eo} : Oil drainage
- U_{fo} : Oil filling
- U_{AL} : Drainage for leakage. Threaded hole only available on request
- U_s : Sensor
- 9A : Quench liquid outlet (tandem arrangement)
- 9E : Quench liquid inlet (tandem arrangement)

- U_{k1} : Quench Inlet
- U_{k2} : Heating Inlet
- U_{k3} : 051 Inlet (Stuffing box)
- U_{k4} : 052 External sealing (Stuffing box)
- U_{k5} : External Flushing
- U_{k6} : Quench Outlet
- U_{k7} : Heating Outlet
- U_{k8} : 051 Outlet (Stuffing box)
- 11A : Sealing liquid outlet (back to back arrangement)
- 11E : Sealing liquid inlet (back to back arrangement)

Size	U _{m1}	U _{m2}	U _e	U _{eo}	U _{fo}	U _{AL}	U _s	U _{k1}	U _{k2}	U _{k3}	U _{k4}	U _{k5}	U _{k6}	U _{k7}	U _{k8}	9A	9E	11A	11E
32125 ¹⁾																			
32160																			
32200																			
32250																			
40125 ¹⁾																			
40160																			
40200			G 1 / 4																
40250																			
40315																			
50125 ¹⁾																			
50160																			
50200																			
50250																			
50315																			
65125 ¹⁾																			
65160																			
65200																			
65250																			
65315																			
80160	G 1 / 4																		
80200																			
80250																			
80315			G 3 / 8	G 1 / 4	Ø15.65	Ø13	M 8									G 1 / 4		G 1 / 8	G 1 / 4
80400																			
100160																			
100200																			
100250																			
100315																			
100400																			
125200																			
125250																			
125315																			
125400																			
150200																			
150250																			
150315																			
150400																			
200250																			

Certain construction sizes do not correspond in all details to the drawing.

Connections for bearing brackets 55 and 65.

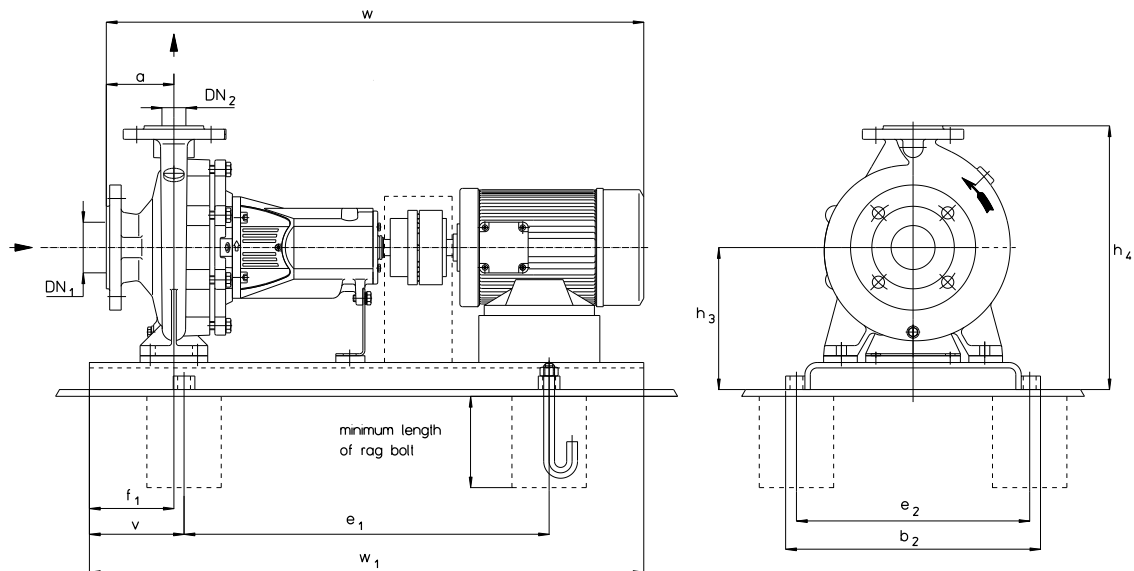


um1 : Self sealing connection
 um2 : Pressure/vacuum gauge. Only available on request
 ue : Drainage
 ueo : Oil drainage
 ufo : Oil filling
 uAL : Drainage for leakage

um3 : Pressure gauge connection
 uk3 : 051 Inlet (Stuffing box)
 uk4 : 052 External sealing (Stuffing box)
 uk8 : 051 Outlet (Stuffing box)
 umo : Oil level control
 uk9 : 041 inlet (Stuffing box)

Size	U _{m1}	U _{m2}	U _e	U _{eo}	U _{fo}	U _{AL}	U _{m3}	U _{k3}	U _{k4}	U _{k8}	U _{mo}	U _{k9}
150500												
200315												
200400												
200500												
250300												
250315	G1/4	G1/2	G1/2	G1/4	∅20	G1/2	G1/2	G1/4	G1/4	G1/4	G3/4	G1/4
250400												
250500												
300400												
300500												

Foundation plan, bearing brackets 25, 35 and 45.



Dimensions in mm

Tolerances for welded parts acc. to DIN 8570 B

n = 1450 rpm

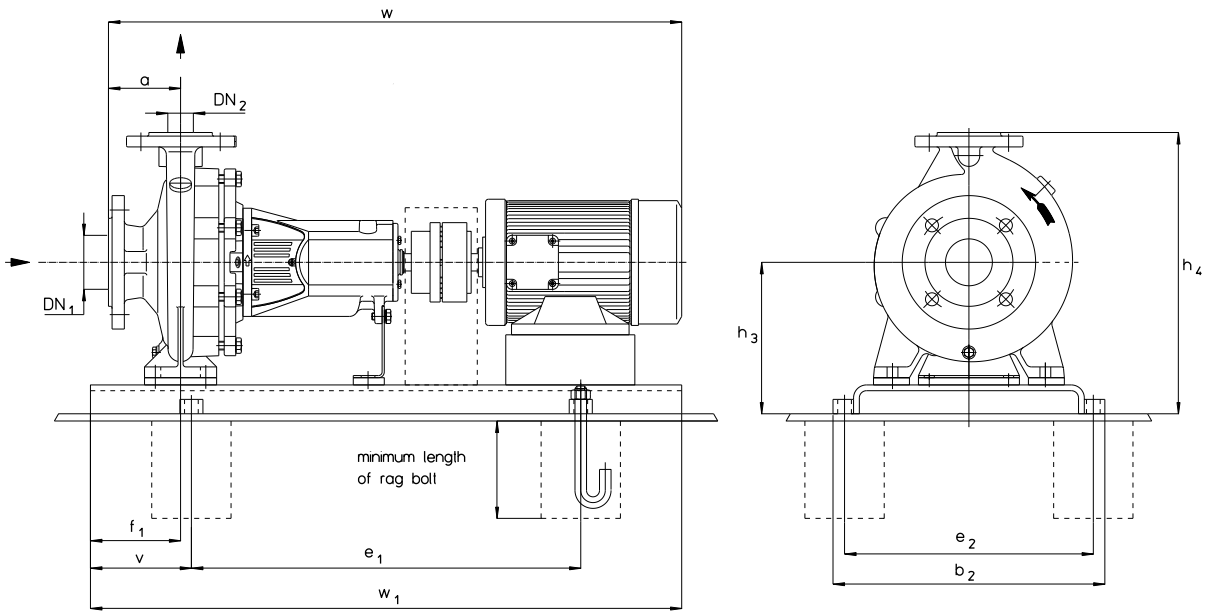
Size	Motor		Base plate No.	Cplg.	Weight kg		DN ₂	DN ₁	a	b ₂	e ₁	e ₂	v	f ₁	h ₃	h ₄	w*	w ₁	Rag bolt				
	size	kW			pump	unit																	
32-125	71	0.25	S241	B68	31	50	32	50	80	330	480	290	125	60	177	317	683	730	M16x200				
	71	0.37			50	65														197	357	683	
32-160	80	0.55	S301	B68	33	67	32	50	80	390	480	350	125	60	225	405	717	730	M16x200				
	80	0.55			68	70														717	717		
32-200	80	0.75	S301	B68	34	70	32	50	80	390	480	350	125	60	225	405	717	730	M16x200				
	90S	1.10			73	73														775	775		
32-250	80	0.75	S383	B80	46	103	32	50	100	490	600	440	160	75	260	485	795	920	M20x400				
	90S	1.10																		106	106	795	795
	90L	1.50																		109	109	795	795
	100L	2.20																		119	119	836	836
40-125	71	0.37	S241	B68	28	60	40	65	80	330	480	290	125	60	177	317	683	730	M16x200				
	80	0.55																		62	62	717	717
40-160	71	0.37	S301	B68	30	62	40	65	80	390	480	350	125	60	197	357	717	730	M16x200				
	80	0.55																		64	64	717	717
	80	0.75																		66	66	717	717
40-200	80	0.55	S301	B68	36	75	40	65	100	390	480	350	125	60	225	405	737	730	M16x200				
	80	0.75																		77	77	737	737
40-250	90S	1.10	S383	B80	46	106	40	65	100	490	600	440	160	75	260	485	795	920	M20x400				
	90L	1.50																		109	109	795	795
	100L	2.20																		119	119	836	836
40-315	100L	3.00	S383	B80	73	121	40	65	125	490	600	440	160	75	305	555	971	920	M20x400				
	100L	2.20																		147	147	971	971
	112M	4.00																		155	155	992	992
	132S	5.50																		171	171	1068	1068
50-125	71	0.37	S301	B68	30	62	40	65	100	390	480	350	125	60	197	357	737	730	M16x200				
	80	0.55																		64	64	737	737
50-160	80	0.75	S301	B68	36	77	40	65	100	390	480	350	125	60	225	425	737	730	M16x200				
	80	0.55																		75	75	737	737
	80	0.75																		81	81	737	737
50-200	80	0.75	S342	B80	40	84	40	65	100	390	480	350	125	60	225	425	795	820	M16x200				
	90S	1.10																		80	80	795	795
	90L	1.50																		87	87	795	795
	100L	2.20																		97	97	836	836
50-250	90L	1.50	S383	B80	50	114	40	65	100	490	600	440	160	75	260	485	836	920	M20x400				
	100L	2.20																		123	123	836	836
	100L	3.00																		125	125	836	836
	112M	4.00																		131	131	857	857
50-315	112M	4.00	S434	B95	88	171	40	65	125	540	660	490	170	75	305	585	1068	1000	M20x400				
	132S	5.50																		186	186	1068	1068
	132M	7.50																		198	198	1094	1094
65-125	80	0.55	S342	B68	33	80	40	65	100	450	540	400	140	60	240	420	737	820	M20x400				
	80	0.75																		82	82	737	737
65-160	80	0.75	S342	B80	39	88	40	65	100	450	540	400	140	60	240	440	737	820	M20x400				
	90L	1.50																		95	95	795	795
	100L	2.20																		104	104	836	836

Size	Motor		Base plate No.	Cplg.	Weight kg		DN ₂	DN ₁	a	b ₂	e ₁	e ₂	v	f ₁	h ₃	h ₄	w*	Rag bolt size	
	size	kW			pump	unit													
65-200	90S	1.10	S383	B68	45	105	65	80	100	490	600	440	160	75	260	485	795	920	M20x400
	90L	1.50				108											795		
	100L	2.20		118		836													
	100L	3.00		120		836													
65-250	112M	4.00	S434	B80	70	125	65	80	100	490	660	490	170	90	280	530	857	1000	M24x400
	100L	2.20				158											946		
	100L	3.00		160		946													
	112M	4.00		165		967													
65-315	132S	5.50	S605	B95	92	181	65	80	125	730	740	670	190	90	325	605	1043	1120	M24x400
	132M	7.50				236											1068		
	160M	11.00		247		1094													
	160L	15.00		268		1186													
80-160	80	0.75	S383	B68	43	100	80	100	125	610	840	550	205	90	300	550	1248	1250	M24x400
	90S	1.10				103											762		
	90L	1.50		106		820													
	100L	2.20		116		820													
80-200	100L	3.00	S434	B80	60	118	80	100	125	490	600	440	160	75	260	510	861	1000	M20x400
	100L	3.00				125											861		
	100L	2.20		134		930													
	112M	4.00		136		971													
80-250	132S	5.50	S605	B95	75	141	80	125	125	730	740	670	190	90	300	580	992	1120	M24x400
	100L	3.00				157											1068		
	112M	4.00		197		1094													
	132S	5.50		202		1094													
80-315	132S	5.50	S486	B95	95	230	80	125	125	730	740	670	190	90	350	665	1186	1250	M24x400
	132M	7.50				239											1068		
	160M	11.00		251		1094													
	160L	15.00		272		1186													
80-400	160M	11.00	S486	B95	143	291	80	125	125	610	840	550	205	90	380	735	1247	1250	M24x400
	160L	15.00				322											1247		
	180M	18.50		340		1371													
	180L	22.00		361		1371													
100-160	100L	2.20	S434	B80	78	166	100	125	125	540	660	490	170	90	280	560	971	1000	M20x400
	100L	3.00				169											971		
	112M	4.00		174		992													
	132S	5.50		190		1068													
100-200	100L	2.20	S605	B80	70	158	100	125	125	540	660	490	170	90	280	560	971	1000	M20x400
	100L	3.00				160											971		
	112M	4.00		165		992													
	132S	5.50		181		1068													
100-250	132M	7.50	S605	B95	85	193	100	125	125	730	740	670	190	90	300	605	1094	1120	M24x400
	112M	4.00				213											1007		
	132S	5.50		228		1083													
	132M	7.50		240		1109													
100-315	160M	11.00	S486	B95	104	261	100	125	140	610	840	550	205	90	350	665	1201	1250	M24x400
	160M	11.00				281											1201		
	160L	15.00		300		1263													
	180M	18.50		320		1325													
100-400	180L	22.00	S606	B110	177	337	100	125	140	730	840	670	230	110	380	735	1325	1400	M24x400
	200L	30.00				402											1262		
	225S	37.00		423		1386													
	225M	45.00		438		1386													
125-200	200L	30.00	S607	B140	188	486	125	150	140	940	670	230	110	380	735	1444	1400	M24x400	
	225S	37.00				548										1481			
	225M	45.00		569		1481													
	250M	55.00		580		1481													
125-250	280S	75.00	S607	B160	188	793	125	150	140	1460	680	170	200	455	855	1604	1800	M16x200	
	132M	7.50				256										1109			
	160M	11.00		277		1201													
	160L	15.00		296		1263													
125-315	132M	7.50	S605	B95	102	258	125	150	140	730	740	670	190	90	350	665	1109	1120	M24x400
	160M	11.00				279											1201		
	160L	15.00		298		1263													
	160L	15.00		375		1262													
125-400	180M	18.50	S606	B110	151	396	125	150	140	730	840	670	205	110	380	735	1386	1250	M24x400
	180L	22.00				411											1386		
	200L	30.00		459		1444													
	225S	37.00		520		1481													
150-200	225S	37.00	S606	B125	188	498	150	200	160	940	670	230	110	380	780	1444	1400	M24x400	
	225M	45.00				559										1481			
	225M	45.00		580		1481													
	250M	55.00		793		1604													
150-250	280S	75.00	S607	B180	188	1047	150	200	160	1460	680	170	200	455	855	1679	1800	M16x200	
	132M	7.50				295										1129			
	160M	11.00		316		1221													
	160L	15.00		335		1283													
150-400	180M	18.50	S606	B110	123	355	150	200	160	730	840	670	205	110	380	780	1345	1250	M24x400
	160L	15.00				340											1283		
	180M	18.50		360		1345													
	180L	22.00		389		1345													
150-400	200L	30.00	S607	B140	128	436	150	200	160	940	670	230	110	380	780	1403	1400	M24x400	

Size	Motor		Base plate No.	Cplg.	Weight kg		DN ₂	DN ₁	a	b ₂	e ₁	e ₂	v	f ₁	h ₃	h ₄	w*	W ₁	Rag bolt
	size	kW			pump	unit													
150-315	180L	22.00	S606	B110	170	431	150	200	160	730	940	670	230	110	380	780	1406	1400	M24x400
	200L	30.00		B125		479											1464		
	225S	37.00	B140	540		1501													
	225M	45.00		561		1624													
	250M	55.00		774		1624													
150-400	225M	45.00	S607	B160	205	598	200	160	730	940	670	230	110	415	865	1501	1400	M24x400	
	250M	55.00		B140		811										1624			
	250M	55.00		B160												1624			
200-250	160L	15.00	S607	B95	230	471	200	200	160	730	940	670	230	185	380	780	1342	1400	M24x400
	180M	18.50		B110		492											1466		
	180L	22.00				507											1466		
	200L	30.00		B125		555											1524		

* Motor protection type IP 55, dimensions depend on the motor manufacturer.
Dimension listed are taken from the SIEMENS catalogue.

Foundation plan, bearing brackets 25,35 and 45



Dimensions in mm

Tolerances for welded parts acc. to DIN 8570 B

n = 2900 rpm

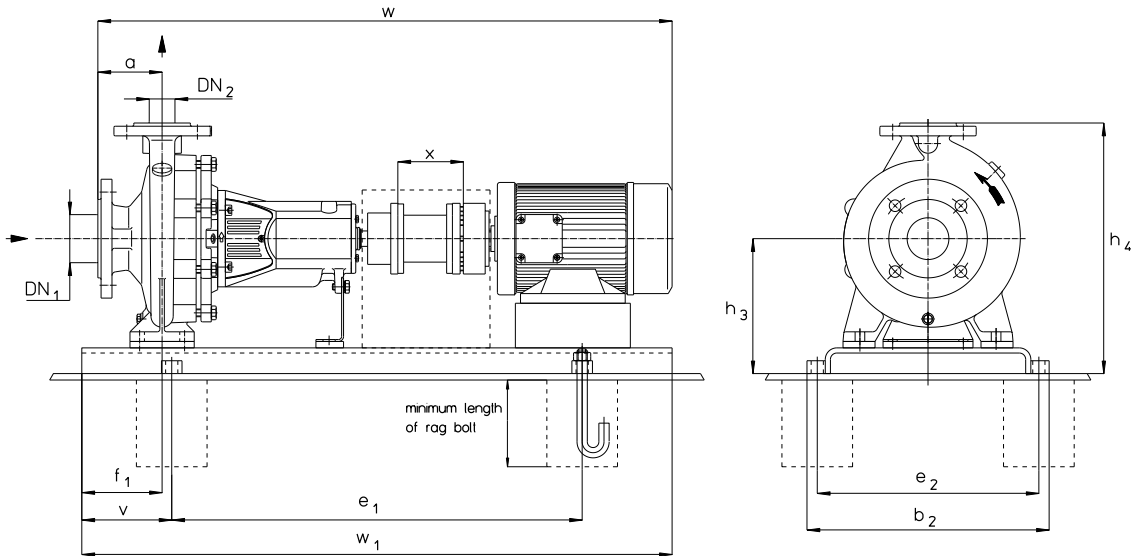
Size	Motor		Base plate No.	Cplg.	Weight kg		DN ₂	DN ₁	a	b ₂	e ₁	e ₂	v	f ₁	h ₃	h ₄	w*	w ₁	Rag bolt	
	size	kW			pump	unit														
32-125	71	0.55	S241	B68	31	51	32	50	80	330	480	290	125	60	177	317	683	730	M16x200	
	80	0.75															52			717
	80	1.10															54			717
	90S	1.50															57			775
	90L	2.20															74			775
32-160	90S	1.50	S301	B80	33	72	32	50	80	360	540	320	140	60	197	357	775	820	M16x200	
	90L	2.20	80														775			
	100L	3.00	S272														89			816
	112M	4.00	96														837			
32-200	90L	2.20	S301	B68	34	81	32	50	80	390	480	350	125	60	225	405	775	730	M16x200	
	100L	3.00	S272	B80													90			816
	112M	4.00	97	837																
	132S	5.50	S303	128													913			
	132S	7.50	138	913																
32-250	132S	7.50	S383	B95	46	151	32	50	100	490	600	440	160	75	260	485	933	1000	M20x400	
	160M	11.00	S434														171			1051
	160M	15.00	184														1051			
40-125	80	1.10	S241	B68	28	64	40	65	80	330	480	290	125	60	177	317	717	730	M16x200	
	90S	1.50															67			775
	90L	2.20															71			775
	100L	3.00															80			816
40-160	90S	1.50	S301	B68	30	69	40	65	80	360	540	320	140	60	197	357	775	730	M16x200	
	90L	2.20	77	775																
	100L	3.00	S272	B80													79			816
	112M	4.00	93	837																
	132S	5.50	S303	B95													115			913
40-200	100L	3.00	S342	B80	36	92	40	65	100	450	540	400	140	60	240	420	836	820	M20x400	
	112M	4.00	99	857																
	132S	5.50	S303	B95													122			933
	132S	7.50	133														933			
	160M	11.00	S383														162			1051
40-250	132S	7.50	S434	B95	46	151	40	65	100	490	600	440	160	75	240	420	933	920	M20x400	
	160M	11.00															171			1051
	160M	15.00															184			1051
	160L	18.50															224			1113
50-125	90S	1.50	S301	B68	30	69	50	65	100	390	480	350	125	60	197	357	795	730	M16x200	
	90L	2.20	77	795																
	132S	5.50	S303	B95													116			933
50-160	90L	2.20	S301	B68	36	83	50	65	100	450	540	400	140	60	225	405	795	730	M16x200	
	100L	3.00	S342	B80													92			836
	112M	4.00	99	857																
	132S	5.50	S303	B95													122			933
	132S	7.50	133														933			
	160M	11.00	S383														162			1050

* Motor protection type IP 55, dimensions depend on the motor manufacturer. Dimensions listed are taken the SIEMENS catalogue.

Size	Motor		Base plate No.	Cplg.	Weight kg		DN ₂	DN ₁	a	b ₂	e ₁	e ₂	v	f ₁	h ₃	h ₄	w*	w ₁	Rag bolt	
	size	kW			pump	unit														
50-200	100L	3.00	S342	B80	40	96	50	65	100	450	540	400	140	60	240	440	836	920	M20x400	
	112M	4.00	S303	B95		103											857			
	132S	5.50				126											933			
	132S	7.50				136											933			
	160M	11.00	S383	167		1051														
160M	15.00	S434	B95	180	1051															
160M	15.00			188	1000															
50-250	160L	18.50	S605	B110	50	228	65	80	100	540	660	490	170	75	260	485	1113	1120	M24x400	
	180M	22.00				243											1175			
	200L	30.00	B125	303		1233														
	200L	30.00	298	1233																
65-125	100L	3.00	S342	B80	33	98	65	80	100	450	540	400	140	60	240	420	836	920	M20x400	
	112M	4.00	S383	B95		104											857			
	132S	5.50				119											933			
	132S	7.50				130											933			
	132S	5.50	S434	B95		125											933			
132S	7.50	136			1051															
160M	11.00	S605	B110	165	1051															
160M	15.00			179	1000															
65-160	160M	11.00	S434	B95	39	170	65	80	100	540	660	490	170	75	260	485	1051	1120	M24x400	
	160M	15.00				183											1113			
	160L	18.50	222	1175																
	180M	22.00	238	1233																
	200L	30.00	B125	298		1233														
65-200	160L	18.50	S435	B95	70	254	80	100	125	540	740	670	190	90	280	530	1223	1140	M20x400	
	180M	22.00	S486	B125		290											1285			
	200L	30.00				397											1343			
	200L	37.00	332	1343																
	225M	45.00	S607	357		1373														
80-160	132S	7.50	S383	B95	43	148	80	100	125	490	600	440	160	75	260	485	958	1000	M20x400	
	160M	11.00	S434			B95											167			1076
	160M	15.00															181			1076
	160L	18.50															220			1138
	180M	22.00	B110			235											1200			
80-200	160M	15.00	S605	B95	60	226	80	100	125	730	740	670	190	90	280	530	1186	1120	M24x400	
	160L	18.50				244											1248			
	180M	22.00	B110	259		1310														
	200L	30.00	B125	314		1368														
	200L	37.00	338	1368																
80-250	180M	22.00	S486	B110	75	293	80	100	125	610	840	550	205	90	300	580	1310	1250	M24x400	
	200L	30.00				348											1368			
	200L	37.00	B125	372		1368														
	225M	45.00	S607	402		1398														
	250M	55.00	B140	651		1528														
100-160	160L	18.50	S435	B95	78	263	100	125	140	540	740	490	200	90	280	580	1248	1140	M20x400	
	180M	22.00	S486	B110		278											1310			
	200L	30.00				B125											341			1368
	200L	37.00	365	1368																
	100-200	160L	18.50	S435		B95											70			254
180M		22.00	S486	B110	269	1310														
200L		30.00			B125	332	1368													
200L		37.00	357	1368																
225M		45.00	S607	397	1398															
100-250	200L	30.00	S486	B125	85	358	100	125	140	610	840	550	205	90	325	605	1383	1250	M24x400	
	200L	37.00	S607			B140											382			1383
	225M	45.00															413			1413
	250M	55.00	661			1543														
	280S	75.00	S609A			B160											827			1643
280M	90.00	869	1643																	
125-200	250M	55.00	S607	B140	100	677	125	150	140	730	940	670	230	90	350	665	1543	1400	M24x400	
	280S	75.00	S609A	B160		842											1643			
	280M	90.00	884	1643																

* Motor protection type IP 55, dimensions depend on the motor manufacturer. Dimensions listed are taken from the SIEMENS catalogue.

Foundation plan for units with spacer type coupling, bearing brackets 25, 35 and 45



Dimensions in mm

Tolerances for welded parts acc. to DIN 8570B

n = 1450 rpm

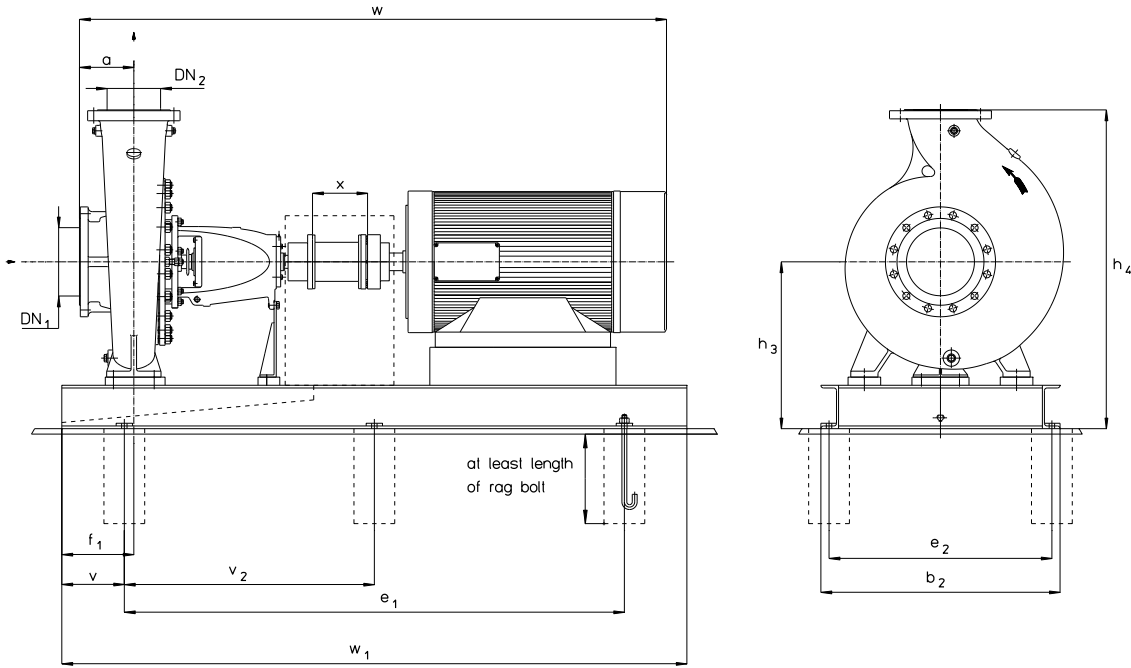
Size	Motor		Base plate No.	Cplg.	Weight kg		DN ₂	DN ₁	a	b ₂	e ₁	e ₂	v	f ₁	h ₃	h ₄	x	w*	w ₁	Rag bolt													
	size	kW			pump	unit																											
32-125	71	0.37	S272	H80	31	69	32	50	80	360	540	320	140	60	177	317	100	823	820	M16x200													
	71	0.37			33	71									197	357		823															
32-160	80	0.55			34	74									225	405		857															
	80	0.55			34	76															210	390	857										
32-200	90S	1.10			S015	H80									34	76		32			50	80	360	540	320	140	60	210	390	100	915	920	M12x100
	80	0.75													34	79												210	390		915		
32-250	80	0.75	S383	H80	46	105	40	65	100	490	600	440	160	75	260	485	100	877	920	M20x400													
	90S	1.10			46	108									260	485		935															
	90L	1.50			46	112									260	485		935															
	100L	2.20			46	120									260	485		976															
40-125	71	0.37	S272	H80	28	66	40	65	80	360	540	320	140	60	177	317	100	823	820	M20x200													
	80	0.55			28	68									177	317		857															
40-160	71	0.37			30	70									182	342		915															
	80	0.55			30	72															240	420	877										
40-200	90S	1.10			S015	H80									36	85		40			65	100	450	540	400	140	60	240	420	100	915	920	M12x100
	80	0.75													36	85												240	420		877		
40-250	80	0.75	S342	H80	36	86	40	65	100	450	540	400	140	60	225	405	100	935	920	M16x200													
	90S	1.10			36	89									225	405		935															
40-315	90L	1.50	S303	H80	46	108	40	65	100	490	600	440	160	75	260	485	100	935	920	M20x400													
	100L	2.20			46	112									260	485		935															
40-315	100L	2.20	S605	H95	73	163	40	65	125	730	740	670	190	75	325	575	100	1111	1120	M24x400													
	100L	3.00			73	165									325	575		1111															
	112M	4.00			73	170									325	575		1132															
	132S	5.50			73	186									325	575		1208															
50-125	71	0.37	S272	H80	30	68	50	65	100	360	540	320	140	60	197	357	100	843	820	M16x200													
	80	0.55			30	70									197	357		877															
50-160	80	0.75			36	77									240	420		877															
	80	0.55			36	79															240	420	877										
50-200	90S	1.10			S303	H80									36	82		50			65	100	390	600	350	160	60	225	405	100	935	920	M16x200
	80	0.75													36	82												225	405		935		
50-250	90L	1.50	S303	H80	40	91	50	65	100	390	600	350	160	60	225	425	100	935	920	M16x200													
	100L	2.20			40	97									225	425		935															
50-250	100L	1.50	S383	H80	50	106	50	65	100	490	600	440	160	75	260	485	100	976	920	M20x400													
	100L	2.20			50	116									260	485		935															
	100L	3.00			50	125									260	485		976															
	112M	4.00			50	127									260	485		976															
50-315	112M	4.00	S605	H95	73	132	50	65	125	730	740	670	190	75	325	605	100	1132	1120	M24x400													
	132S	5.50			73	132									325	605		1132															
	132M	7.50			73	201									325	605		1208															
65-125	80	0.55	S342	H80	33	83	65	80	100	450	540	400	140	60	240	440	100	877	820	M20x400													
	80	0.75			33	84												877															
65-160	80	0.75			39	90												240			440	935											
	90L	1.50			39	97																	240	440	935								
100L	2.20	39	115	240	440	976																											

Size	Motor		Base plate No.	Cplg.	Weight kg		DN ₂	DN ₁	a	b ₂	e ₁	e ₂	v	f ₁	h ₃	h ₄	x	w*	w ₁	Rag bolt		
	size	kW			pump	unit																
65-200	90S	1.10	S383	H80	45	107	65	80	100	490	600	440	160	75	260	485	140	935	920	M20x400		
	90L	1.50				111												935				
	100L	2.20				119												976				
	100L	3.00				121												976				
	112M	4.00				127												997				
65-250	100L	2.20	S605	H80	70	159	90	125	100	730	740	670	190	90	300	550	140	1086	1120	M24x400		
	100L	3.00				161												1086				
	112M	4.00	167			1007																
	132S	5.50	196			1183																
65-315	132S	5.50	S435	H95	92	237	90	125	100	610	840	550	205	90	325	605	140	1208	1250	M24x400		
	132M	7.50				249												1234				
	160M	11.00	270			1326																
	160L	15.00	290			1388																
80-160	80	0.75	S383	H80	43	102	80	100	100	490	600	440	160	75	260	485	140	902	920	M20x400		
	90S	1.10				105												960				
	90L	1.50				108												960				
	100L	2.20				117												1001				
	100L	3.00				119												1001				
80-200	90L	1.50	S434	H80	60	126	80	100	100	540	660	490	170	75	280	530	140	1070	1000	M24x400		
	100L	2.20	149			1111																
	100L	3.00	151			1132																
	112M	4.00	156			1208																
80-250	132S	5.50	S605	H95	75	172	90	125	100	730	740	670	190	90	300	580	140	1111	1250	M24x400		
	100L	3.00				198												1208				
	112M	4.00	203			1132																
	132S	5.50	219			1208																
80-315	132M	7.50	S486	H95	95	231	90	125	100	610	840	550	205	90	350	665	140	1208	1250	M24x400		
	132M	7.50				240												1234				
	160M	11.00	252			1208																
	160L	15.00	273			1234																
80-400	160M	11.00	S607	H110	143	293	80	125	100	730	940	670	230	90	380	735	140	1388	1400	M24x400		
	160M	15.00	S486	H95		324												1383				
	180M	18.50	S607	H110		381												1383				
	180L	22.00	S607	H110		403												1507				
	200L	30.00	S607	H125		418												1507				
100-160	100L	2.20	S605	H80	78	168	100	125	100	730	740	670	190	90	300	580	140	1111	1120	M24x400		
	100L	3.00				170												1111				
	112M	4.00				175												1132				
	132S	5.50				204												1208				
	100L	2.20				S435												H95			204	1208
100-200	100L	2.20	S605	H80	70	159	100	125	100	730	740	670	190	90	300	580	140	1111	1120	M24x400		
	100L	3.00				161												1111				
	112M	4.00				167												1132				
	132S	5.50				196												1208				
	132M	7.50				S486												H95			207	1234
100-250	112M	4.00	S605	H80	85	214	100	125	100	730	740	670	190	90	300	580	140	1147	1120	M24x400		
	132S	5.50				230												1223				
	132M	7.50				S486												H95			241	1249
	160M	11.00				S605												H80			262	1341
	160M	11.00				S605												H80			282	1341
100-315	160L	15.00	S607	H110	104	302	100	140	100	730	940	670	230	90	350	665	140	1403	1400	M24x400		
	180M	18.50				322												1465				
	180L	22.00				H125												339			1465	
	160L	15.00				S607												H95			417	1398
	180M	18.50				S607												H110			439	1522
100-400	180L	22.00	S608	H140	177	454	100	140	100	730	940	670	230	110	380	735	140	1522	1400	M24x400		
	200L	30.00				502												1580				
	225S	37.00				H125												553			1617	
	225M	45.00				S608												H140			574	1617
	160L	15.00				S608												H140			574	1617
125-200	132M	7.50	S486	H95	100	257	125	150	140	610	840	550	205	90	350	665	140	1249	1250	M24x400		
	160M	11.00				278												1341				
	160L	15.00				S607												H110			298	1403
125-250	132M	7.50	S486	H95	102	259	125	150	140	610	840	550	205	90	350	705	140	1249	1250	M24x400		
	160M	11.00				280												1341				
	160L	15.00				H110												300			1403	
125-315	160L	15.00	S607	H95	151	390	125	150	140	730	940	670	230	110	380	735	140	1398	1400	M24x400		
	180M	18.50				H110												412			1522	
	180L	22.00				H110												426			1522	
	200L	30.00				H125												475			1580	
	225S	37.00				S608												H140			526	1617
125-400	200L	30.00	S607	H125	188	514	125	150	140	730	940	670	230	110	380	735	140	1617	1600	M24x400		
	225S	37.00				564												1580				
	225M	45.00				S608												H140			585	1617
	250M	55.00				S608												H140			817	1740
	280S	75.00				180x73x14												H180			1054	1815
150-200	132M	7.50	S606	H95	123	296	150	200	160	730	840	670	205	110	380	780	140	1269	1250	M24x400		
	160M	11.00				329												1361				
	160L	15.00				S607												H110			348	1423
	180M	18.50				S607												H110			368	1485

Size	Motor		Base plate No.	Cplg.	Weight kg		DN ₂	DN ₁	a	b ₂	e ₁	e ₂	v	f ₁	h ₃	h ₄	x	w*	w ₁	Rag bolt
	size	kW			pump	unit														
150-250	160L	15.00	S607	H110	128	354	150	200	160	730	940	670	230	110	380	780	140	1423	1400	M24x400
	180M	18.50				374												1485		
	180L	22.00				391												1485		
	200L	30.00				454												1543		
150-315	180L	22.00	S608	H110	170	446	150	200	160	730	940	670	230	110	380	780	140	1542	1600	M24x400
	200L	30.00				495												1600		
	225S	37.00				546												1637		
	225M	45.00				567												1637		
	250M	55.00				798												1760		
150-400	225M	45.00	S608	H140	205	603	150	200	160	730	1060	670	270	110	380	780	140	1637	1600	M24x400
	250M	55.00				835												1760		
	160L	15.00				492												1518		
200-250	160L	15.00	S607	H110	230	492	200	200	160	730	940	670	230	110	380	780	180	1518	1600	M24x400
	180M	18.50				512												1642		
	180L	22.00				527												1642		
	200L	30.00				576												1700		

* Motor protection type IP 55, dimensions depend on the motor manufacturer.
Dimensions listed are taken from the SIEMENS catalogue.

Foundation plan for units with spacer type coupling, bearing brackets 55 and 65



Dimensions in mm

Tolerances for welded parts acc. to DIN 8570 B

n = 1450 rpm

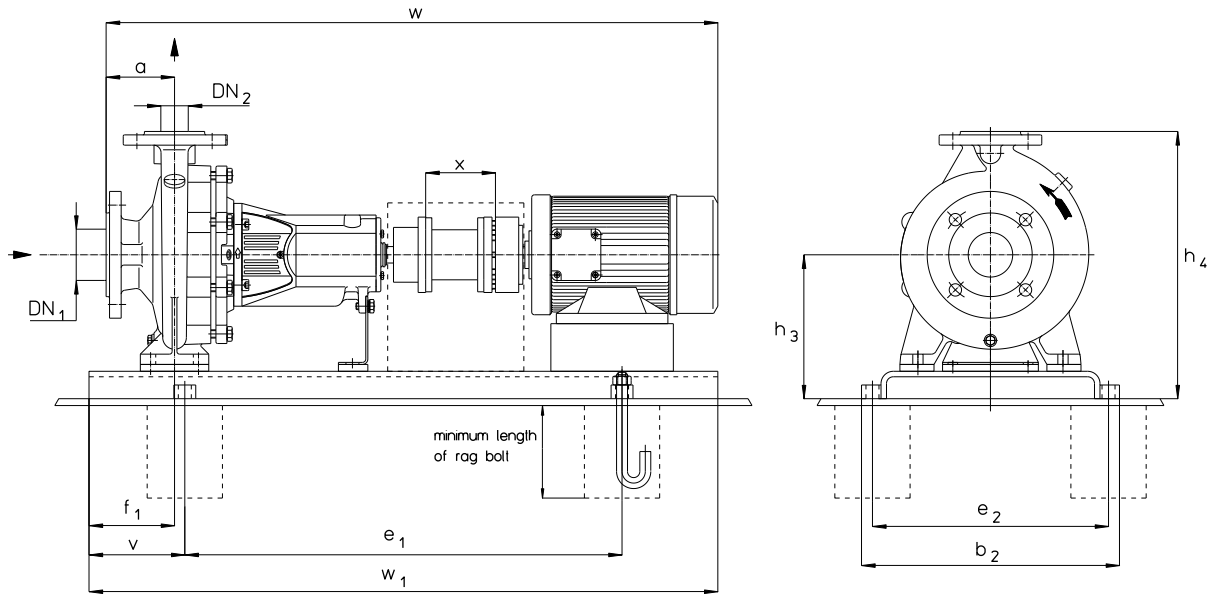
Size	Motor		Base plate dimension	Cplg.	Weight kg		DN ₂	DN ₁	a	b ₂	v	e ₁	e ₂	v ₂	f ₁	h ₃	h ₄	x	w*	w ₁	Rag bolt									
	size	kW			pump	unit																								
150400 ⁽¹⁾	280S	75.0	194x73x14	H180	205	1072																								
	280M	90.0																				1125								
150-500	250M	55.0	208x82x14	H160	335	961	150	200	160	730	190	1560	680	780	200	485	935	140												
	280S	75.0	215x82x14	H180																		1143	210	1660	830					
	280M	90.0																								1193	770	865	240	570
	315S	110	230x83x16	H200																		1406	230	1840	920	245				
	315M	132																									1486	230	2170	2300
200-315	200L	30.0	194x73x14	H125	310	715			200	730	190	1560	680	780																
	225S	37.0	198x73x14	H140																		780	190	1600	800					
	225M	45.0																								810	790	840	975	
	250M	55.0	210x73x14	H160																		921	210	1680	840					
	280S	75.0	217x74x14	H180																		1102	210	1750	875					
200-400	225M	45.0	198x73x14	H140	340	840	200	250	180	730	190	1600	680	800	260															
	250M	55.0	210x73x14	H160																		951	210	1680	840					
	280S	75.0																								1132	740	210	1750	690
	280M	90.0	217x74x14	H180																		1182	210	1750	690	875				
	315S	110	230x82x16	H200																		1409	230	1840	760	920	545	1045		
315M	132	1489			230	2170	2300																							
200-500	280S	75.0	217x84x14	H180	395	1212			200	840	210	1750	790	875	265	615	1175	180												
	280M	90.0																				1262	850	250	1960	980				
	315S	110	1474	250																		2055					2170			
	315M	132	246x85x16	H200																		1554	250	1960	980					
	315L	160	1709	250																		2190	2460							
	315L	200	1849	250																		2330	2330							
250-300	225S	37	207x88x14	H140	416	898			250	305	880	210	1650	830	825	365	595	1145												
	225M	45																				928	210	1770	885					
	250M	55	219x88x14	H160																		1044				210	1770	885		
	280S	75	226x88x14	H180																		1225	230	1800	900					
250-315	225M	45	203x80x14	H140	424	936			250	800	210	1610	750	805	310	545	1105													
	250M	55	215x80x14	H160																	1052	230	1760	880						
	280S	75	222x80x14	H180																	1233				230	1760	880			
	280M	90	1283	820																	230	1910	760	955	315	565	1125			
	315S	110	237x82x16																									H200	1496	820

* Motor protection type IP 55, dimensions depend on the motor manufacturer.
 Dimensions listed are taken from the SIEMENS, WEG, LEROY SOMER and ABB catalogues.
 (1) Size 150400: bearing bracket 45.

Size	Motor		Base plate dimension	Cplg.	Weight kg		DN ₂	DN ₁	a	b ₂	v	e ₁	e ₂	v ₂	f ₁	h ₃	h ₄	x	w*	w ₁	Rag bolt															
	size	kW			pump	unit																														
250-400	225M	45	208x88x14	H140	464	991	250	300	250	880	210	1660	830	310	570	1170	180	1957	2080	2270	M16x200															
	250M	55	220x88x14	H160		1103					230	1740										870	2080	2200												
	280S	75	227x88x14	H180		1284					230	1810										905	2155	2290												
	280M	90				1334					230												2155													
	315S	110				1552					250												2290													
	250-500	315M	132	256x89x16		H200					589	1632										250	300	250	890	2060	830	1030	315	590	1190	180	2290	2560	2430	M18x200
		315L	160									1787																								
315S		110	1703		940		2060	880	1030	315		640	1310	2290																						
315M		132	1780												250	2290																				
315L		160	1933												250	2430																				
315L		200	2068												250	2430																				
315		250	**		**		**	**	**	**		**	**	**	**	**	**	**	**	**	**															
315	315	**	**	**	**	**	**	**	**	**	**	**	**	**	**	**	**	**	**	**																
300-400	280M	90	232x94x14	H180	620	1515	300	350	300	940	230	1860	890	1035	365	615	1285	180	2205	2320	2480	M16x200														
	315S	110	261x95x16	H200		1733					950	2070											970	365	615	1285	2340									
	315M	132				1810																						270	2340							
	315L	160				1968																						270	2480							
	315L	200				2103																						270	2480							
300-500	315L	200	261x103x16	H200	800	2313	300	350	300	1030	270	970	365	615	1285	180	2480	2610	2480	M18x200																
	315	250	**	**	**	**															**	**	**	**	**											
	315	315	**	**	**	**															**	**	**	**	**											
	355	355	**	**	**	**															**	**	**	**	**											
	355	400	**	**	**	**															**	**	**	**	**											
355	500	**	**	**	**	**	**	**	**	**																										

* Motor protection type IP 55, dimensions depend on the motor manufacturer.
Dimensions listed are taken from the SIEMENS, WEG, LEROY SOMER and ABB catalogues.
** On request.

Foundation plan for units with spacer type coupling, bearing brackets 25, 35 and 45



Dimensions in mm

Tolerances for welded parts acc. to DIN 8570 B

n = 2900 rpm

Size	Motor		Base plate No.	Cplg.	Weight kg		DN ₂	DN ₁	a	b ₂	e ₁	e ₂	v	f ₁	h ₃	h ₄	x	w*	w ₁	Rag bolt
	size	kW			pump	unit														
32-125	71	0.55	S272	H80	31	70	32	50	80	360	540	320	140	60	177	317	100	823	820	M16x200
	80	0.75				71												857		
	80	1.10				73												857		
	90S	1.50				76												915		
	90L	2.20				79												915		
32-160	90S	1.50	S385	H80	33	78	32	50	80	490	740	440	200	60	212	372	100	915	1140	M20x400
	90L	2.20				81												915		
	100L	3.00				89												956		
32-200	112M	4.00	S385	H80	34	96	32	50	80	490	740	440	200	60	240	420	100	977	1140	M20x400
	90L	2.20				82												915		
	100L	3.00				90												956		
	112M	4.00				97												977		
	132S	5.50				121												1053		
32-250	132S	7.50	S385	H95	46	131	32	50	100	490	740	440	200	75	260	485	100	1053	1140	M20x400
	132S	7.50				131												1073		
	160M	11.0				152												1191		
40-125	160M	15.0	S605	H95	46	177	32	50	100	490	740	440	200	75	260	485	100	1191	1140	M20x400
	80	1.10	S385	H80	28	70	40	65	80	730	740	670	190	60	192	332	100	857	1140	M20x400
90S	1.50	S605	73			915														
90L	2.20	S605	76			915														
40-160	100L	3.00	S385	H80	30	84	40	65	80	730	740	670	190	60	192	332	100	956	1140	M20x400
	90S	1.50				75												915		
	90L	2.20				78												915		
	100L	3.00				86												956		
	112M	4.00				93												977		
40-200	132S	5.50	S605	H80	36	116	40	65	100	730	740	670	190	60	232	392	100	1053	1120	M24x400
	100L	3.00				101												976		
	112M	4.00				106												997		
	132S	5.50				123												1073		
	132S	7.50				133												1073		
40-250	160M	11.00	S605	H95	46	164	40	65	100	730	740	670	190	75	260	440	100	1191	1120	M24x400
	132S	7.50				152												1073		
	160M	11.00				193												1191		
	160M	15.00				207												1191		
	160L	18.50				225												1253		
50-125	90S	1.50	S015	H80	30	75	50	65	100	361	600	325	160	60	182	342	100	935	920	M12x100
	90L	2.20				78												935		
	132S	5.50				116												1073		
50-160	90L	2.20	S303	H80	36	93	50	65	100	390	600	350	160	60	225	405	100	935	920	M14x200
	100L	3.00				101												976		
	112M	4.00				108												997		
	132S	5.50	S434	H95	36	123	50	65	100	490	740	440	200	60	240	420	100	1073	1000	M20x400
	132S	7.50				133												1073		
	160M	11.00				164												1191		
	160L	18.50				225												1253		
90L	2.20	S605	H80	30	78	50	65	100	361	600	325	160	60	182	342	100	935	920	M12x100	
132S	5.50				116												1073			
90L	2.20	S303	H80	36	93	50	65	100	390	600	350	160	60	225	405	100	935	920	M14x200	
100L	3.00				101												976			
112M	4.00	S303	H80	36	108	50	65	100	490	740	440	200	60	240	420	100	976	1140	M20x400	
132S	5.50				123												1073			
132S	7.50	S434	H95	36	133	50	65	100	490	740	440	200	60	240	420	100	1073	1000	M20x400	
160M	11.00				164												1191			

* Motor protection type IP 55, dimensions depend on the motor manufacturer. Dimensions listed are taken from the SIEMENS catalogue.

Size	Motor		Base plate No.	Cplg.	Weight kg		DN ₂	DN ₁	a	b ₂	e ₁	e ₂	v	f ₁	h ₃	h ₄	x	w*	w ₁	Rag bolt							
	size	kW			pump	unit																					
50-200	100L	3.00	S303	H80	40	105	50	65	100	390	600	350	160	60	225	425	100	976	920	M16 x200							
	112M	4.00	S434			H95												112	490	660	490	170	240	440	997	1000	M20 x400
	132S	5.50		127														260							460		
	132S	7.50		137		280													505	1073							
	160M	11.00	S605	H95														168		730	740	670	190	260	460	1191	1120
160M	15.00	182			280	505	1191																				
50-250	160M	15.00	S385	H80			50	211	65	80	100	490	600	440	160	75	280	505	140	1253	1140	M20x400					
	160L	18.50			S486	H110		229												610	840	550	205	280	505	1253	1250
	180M	22.00	H125	250				300																		525	
	200L	30.00		281		280														505	1373						
	100L	3.00	S383	H80	33			108													65	80	100	490	600	440	160
112M	4.00	S385	H95			115	540	660	490	170	240	440	997	1000													
132S	5.50	S434		H95		130							730		740	670	190	260	460	1073							
132S	7.50		141			280	505	1073																			
132S	5.50		S605	H95				136	490	610	840	550	205	280	505	1191	1120	M24 x400									
132S	7.50	147			280	505	1191																				
160M	11.00	S605	H95	167			730	740	670	190	260	460	1191	1120	M24 x400												
160M	15.00			180	280	505							1191														
65-200	160M	11.00	S385	H80			45	192	65	80	100	490	600	440	160	75	260	485	140	1253	1140	M20x400					
	160M	15.00			S486	H110		224												610	840	550	205	280	505	1253	1250
	160L	18.50	H125	240				300																		525	
	180M	22.00		300		280														505	1373						
	200L	30.00	324	280	505			1483																			
65-250	160L	18.50	S607			H95	70	264	65	80	100	730	940	670	230	90	300	550	140	1425	1400	M24x400					
	180M	22.00		H110	280			1060												270	325		575	1513	1600		
	200L	30.00	389		280	505																		1483			
	200L	37.00	H125					335												280	505		1483				
	225M	45.00		S608	414	280		505															1513	1600			
80-160	132S	7.50	S605	H95	43		149		80	100	125	730	740	670	190	75	280	505	140	1098	1120	M24x400					
	160M	11.00				S385	H95	190												490	440	200	260	485	1216	1140	M20 x400
	160M	15.00	204	610				840																	550		
	160L	18.50	222				540													490	215	260	510	1278			
	180M	22.00	237	730		940		670																230	300	580	1340
80-200	160M	15.00	S486		H95		60		227	80	100	125	610	840	550	205	75	280	530	140	1326	1250	M24x400				
	160L	18.50		S436		H110		253	540												490	215	260	510	1388	1270	M20x400
	180M	22.00	H125		269			730																	940		
	200L	30.00			324	1060			270												325	605	1508	1400			
	200L	37.00	348	280	505			1508																			
80-250	180M	22.00	S607			H110	75	295	80	100	125	730	940	670	230	90	300	580	140	1450	1400	M24x400					
	200L	30.00		H125	350			1060												270	325		605	1508	1600		
	200L	37.00	374		280	505																		1508			
	225M	45.00	S608					H125												450	730		940	670	230	300	325
	250M	55.00		655	280	505														1668							
100-160	160L	18.50	S607	H95			78	272	100	125	125	730	940	670	230	90	300	580	140	1388	1400	M24x400					
	180M	22.00			H110	288		1060												270			325	605	1450	1600	
	200L	30.00	H125	343		730																			940		670
	200L	37.00		367				1060												270			325	605		1508	
	100-200	160L	18.50	S607	H95	70																			264	100	125
180M		22.00	H110				280	1060	270	325	605	1450	1600														
200L		30.00		H125	335		730					940		670	230	300	580	1508									
200L		37.00			359			1060	270	325	605		1508														
225M		45.00	S608	445	730		940					670	230	300	325	605	1538	1600									
100-250	200L	30.00	S607	H110		85		350	100	140	140						744		1200	696	300	90	350	630	140	1523	1400
	200L	37.00			S608		H140	374				1060	270	350	630	1523		1600									
	225M	45.00	S609A	H160				461								744										1200	696
	250M	55.00					666	744				1200	696	300	380			660									
	280S	75.00	S609A	H160	850		744									1200										696	300
280M	90.00	892	744	1200	696	300		380	660	1783																	
125-200	250M	55.00	S608	H140	100	682	125	150	140	730	1060	670	270	90	350	665	140	1683	1600	M24 x400							
	280S	75.00	S609A	H160		865				744	1200	696	300		380	695		1783	1800								
	280M	90.00				907				744	1200	696	300		380	695		1783									

* Motor protection type IP 55, dimensions depend on the motor manufacturer.
Dimensions listed are taken from the SIEMENS catalogue.

Data regarding size - order information

Type	Size	Hydraulic + Bearing	Shaft Seal	Material	Casing Gasket
		<ul style="list-style-type: none"> A• First hydraulic B• Second hydraulic D• Double volute •B Two ball bearings greased for life (2Z) •C Two ball bearings oil lubricated •S One double row angular contact bearing plus one ball bearing, grease lubricated •T One double row ball bearing plus ball bearing, oil lubricated 	041: Self-sealed, uncooled packing rings 052: Uncooled packing rings, external seal liquid B27: Unbalanced bellows mechanical seal, seal face materials WC/Carbon, elastomer EPDM AF3: Balanced mechanical seal, seal face materials SiC/Carbon, elastomer EPDM BJ3: Unbalanced bellows mechanical seal, seal face materials SiC/Carbon, elastomer EPDM C23: Unbalanced bellows mechanical seal, seal face materials SiC/Carbon, elastomer EPDM AFS: Balanced mechanical seal, seal face materials SiC/ SiC, elastomer FPM (Viton) BJS: Unbalanced bellows mechanical seal, seal face materials SiC/ SiC, elastomer FPM (Viton) C2S: Unbalanced bellows mechanical seal, seal face materials SiC/ SiC, elastomer FPM (Viton) AFK: Balanced mechanical seal, seal face materials SiC/carbon, elastomer FPM (Viton) double PTFE (Teflon) wrapped AFJ: Balanced mechanical seal, seal face materials SiC/carbon, elastomer FPM (Viton) BJJ: Unbalanced bellows mechanical seal, seal face materials SiC/Carbon, elastomer FPM (Viton) C2J: Unbalanced bellows mechanical seal, seal face materials SiC/Carbon, elastomer FPM (Viton) AX3,AXS,AXK: AF3,AFS,AFK plus quench AY3,AYS,AYK: AF3,AFS,AFK, plus heating A93,A9S,A9K,A9J: AF3,AFS,AFK,AFJ plus external flushing M1S: Tandem mechanical seal, type GNZ, seal face materials SiC / SiC, elastomer FPM (Viton) N1S: Tandem mechanical seal, type M7N, seal face materials SiC / SiC, elastomer FPM (Viton) NFS: Back to back seal, type M7N, seal face materials SiC / SiC, elastomer FPM (Viton)	0B: Cast iron GG25 0C: Cast iron GG25 Bronze G-CuSn10 impeller 0E: Cast iron GG25 stainless steel 1.4408 impeller 1B: Ductile cast iron GGG 40.3 Cast iron GG25 impeller 4B: Stainless steel 1.4408	2: Confined flat gasket of EWP 210 material 4: Confined flat gasket of PTFE.
ZLND	32125	AB, AC	Alternatively 041,052,B27(*),BJ3,C23,AF3,AX3,AY3,A93,BJS,C2S,AFS,AXS,AYS,A9S,BJJ,C2J,AFJ,A9J,M1S, N1S, NFS (*) only configuration valid for hot water up to 140°C	Alternatively 0B, 0C, 0E, 1B, 4B	Alternatively 2 or 4
	32160	AB, AC, BB,BC			
	32200	AB, AC, BB, BC			
	32250				
	40125				
	40160				
	40200				
	40250				
	40315				
	50125				
	50160				
	50200				
	50250				
	50315				
	65125				
	65160				
	65200				
	65250				
	65315				
	80160				
	80200				
	80250	AB, AC			
	80315				
	80400				
	100160				
	100200				
	100250				
	100315				
	100400				
	125200				
	125250				
	125315				
125400					
150200					
150250					
150315					
150400					
200250	AB, AC				
150500	AS, AT				
200315	AS, AT				
200400					
200500	DS, DT				
250300					
250315	AS, AT				
250400					
250500	DS, DT				
300400					
300500					
		Alternatively 041, 052, BJ3, C23, AF3, AX3, AY3, A93, BJS, C2S, AFS, AXS, AYS, A9S, BJJ, C2J, AFK, AXK, AYK, A9K,			

Designs are subject to amendment without prior notice.

Sterling SIHI (Spain), S.A.

Vereda de los Zapateros s/n, Pozuelo de Alarcón 28223 Madrid, Spain.
Telephone +34 91 709 1310 Telefax +34 91 715 9700. E-mail sihi@sihi.es