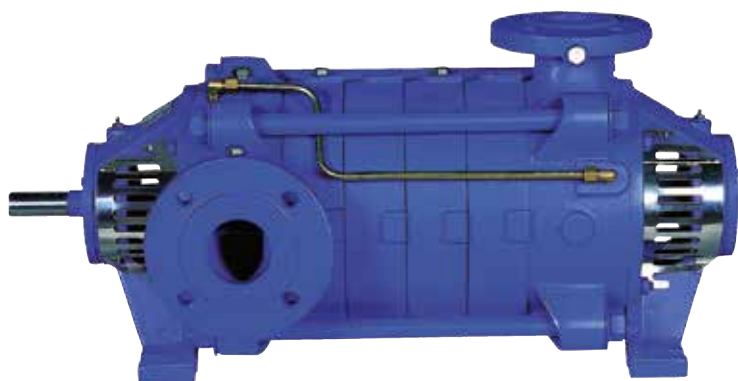


# SKM

## MULTISTAGE CENTRIFUGAL PUMPS



### Handled Liquids

Clean or slightly contaminated low viscosity liquids without solid & fibrous particles.

### Technical Data

<b>Discharge Flange</b>	DN 32 up to DN 250 mm
<b>Capacity</b>	up to 1000 m <sup>3</sup> /h
<b>Head</b>	up to 550 m
<b>Speed</b>	up to 2900 rpm
<b>Operating Temperature</b>	-10 °C up to 110 °C ( 140 °C*)
<b>Casing Pressure (Pmax)</b>	25 bar (63) bar *

(Pmax : Suction Pressure + Shut off Head)

(\*) The material of pumps differ according to the type of pumped liquid, operating temperature and pressure. Contact for detailed information.

### Design Features

- Horizontal ring section, multistage, centrifugal pumps with closed impellers and diffusers.
- Suction nozzle flanges conform to EN 1902 - 2 / PN16 and discharge nozzle flanges conform to EN 1902 - 2 / PN 40 (PN 63)
- 10 models from DN 32 up to DN 250 discharge flange diameter.

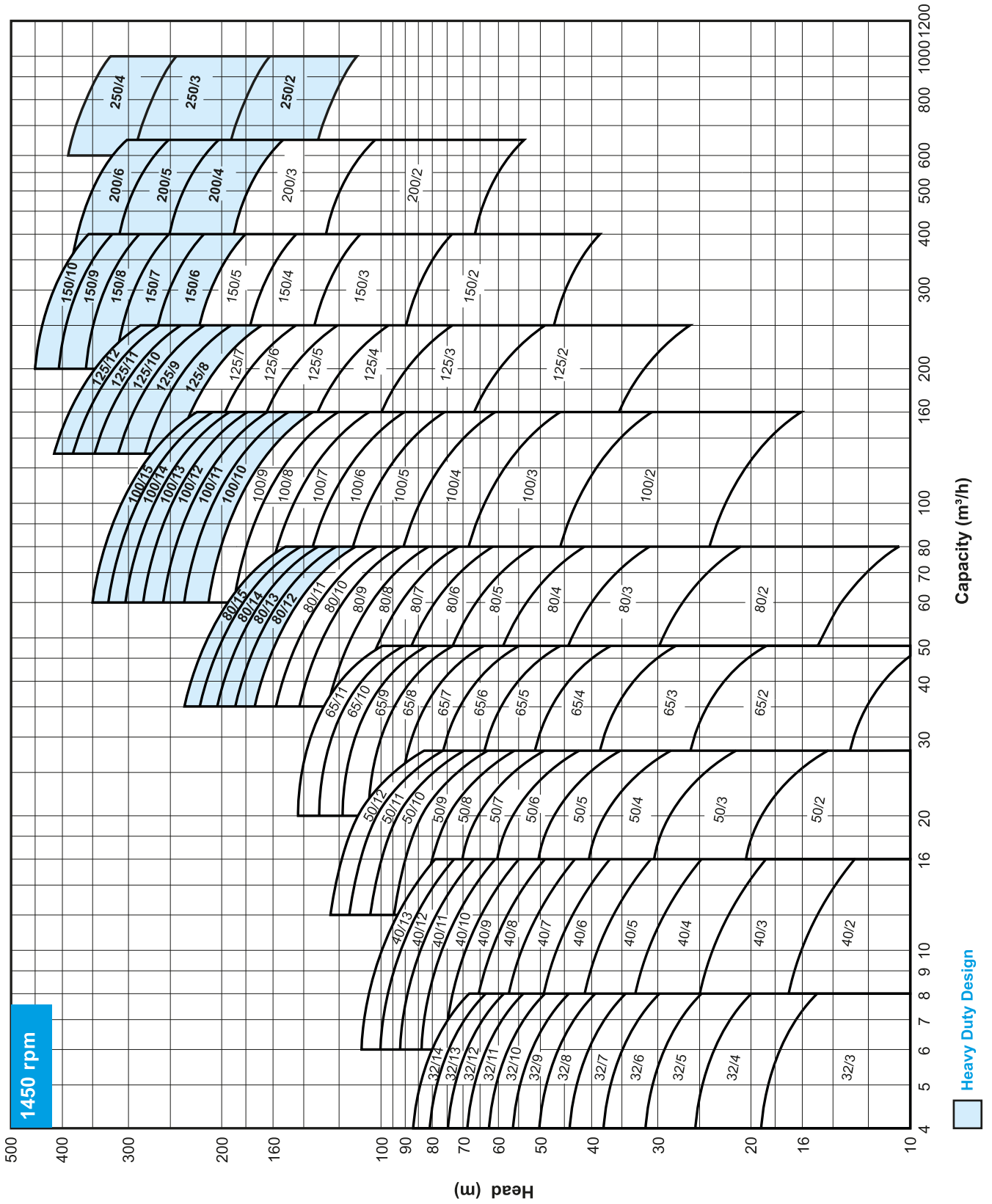
### Pump Designation

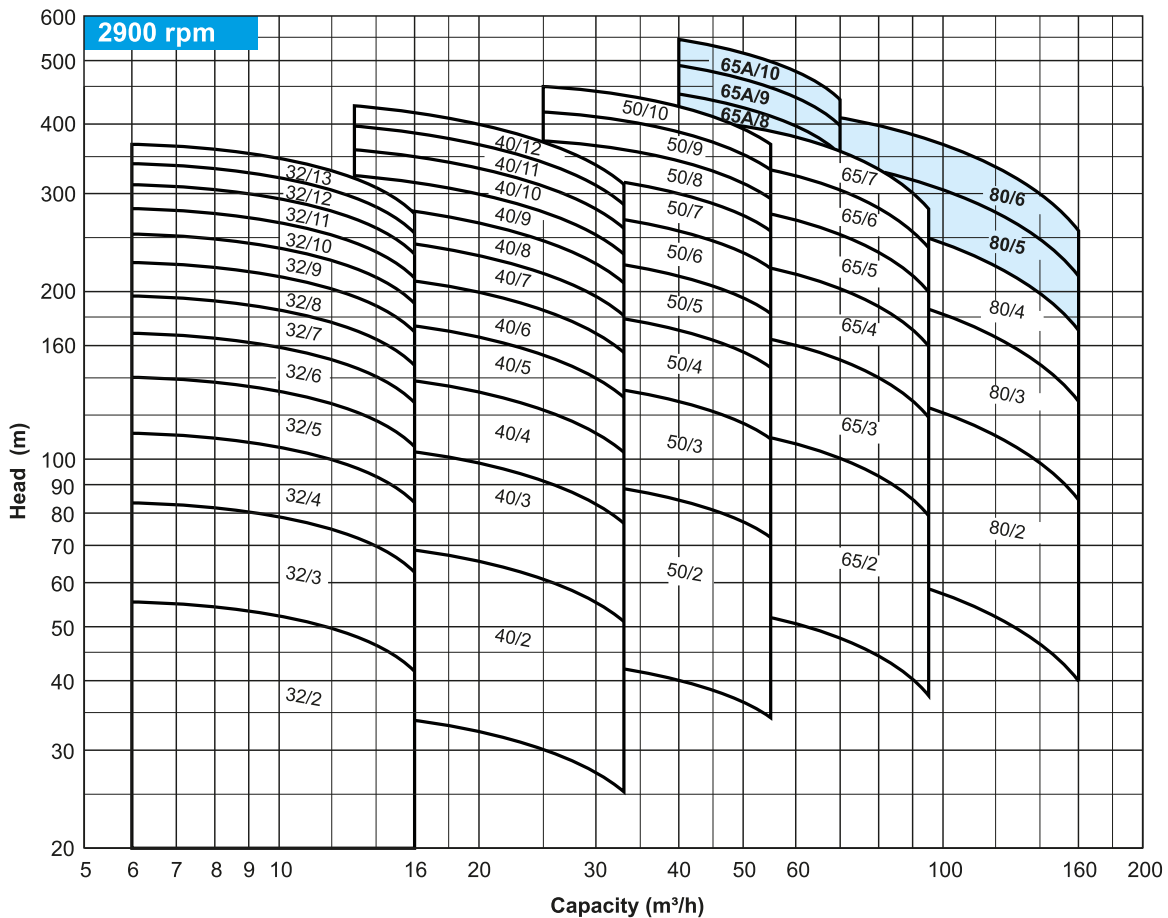
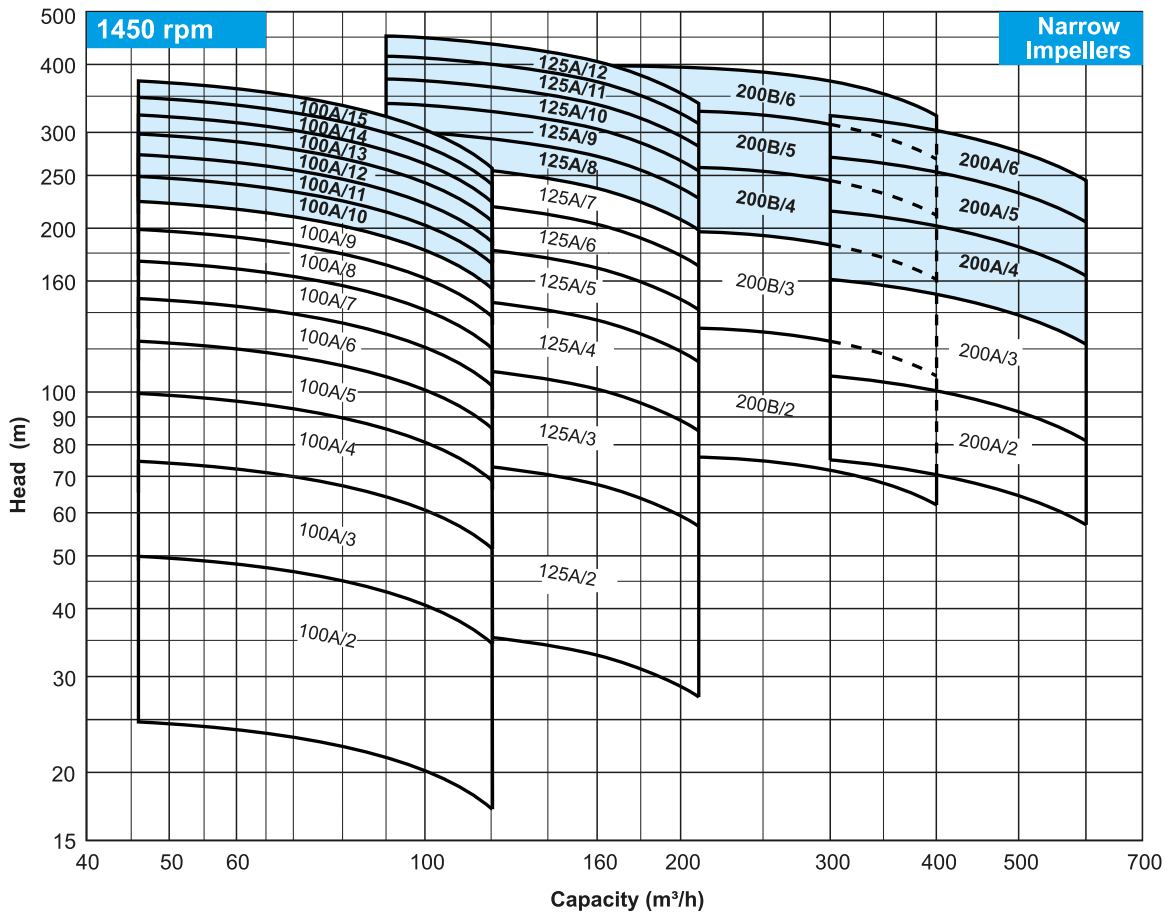
<b>Pump Type</b>	SKM - K
<b>Heavy Duty Design</b>	100
<b>Discharge Nozzle (DN-mm)</b>	100
<b>Number of Stages</b>	6

- In standard production, suction flange is placed on the right side and close to the coupling while discharge flange is at the other end and radially upwards (R 3/0). If other flange orientation is required, it should be indicated in the order.
- Axial thrust is balanced by impeller balancing holes system.
- All impellers are balanced dynamically according to ISO 1940 class 6.3.
- Direction of rotation is clockwise in standard production. However counter clockwise rotation is also possible if requested.
- Bearings of SKM type pumps are always grease lubricated.

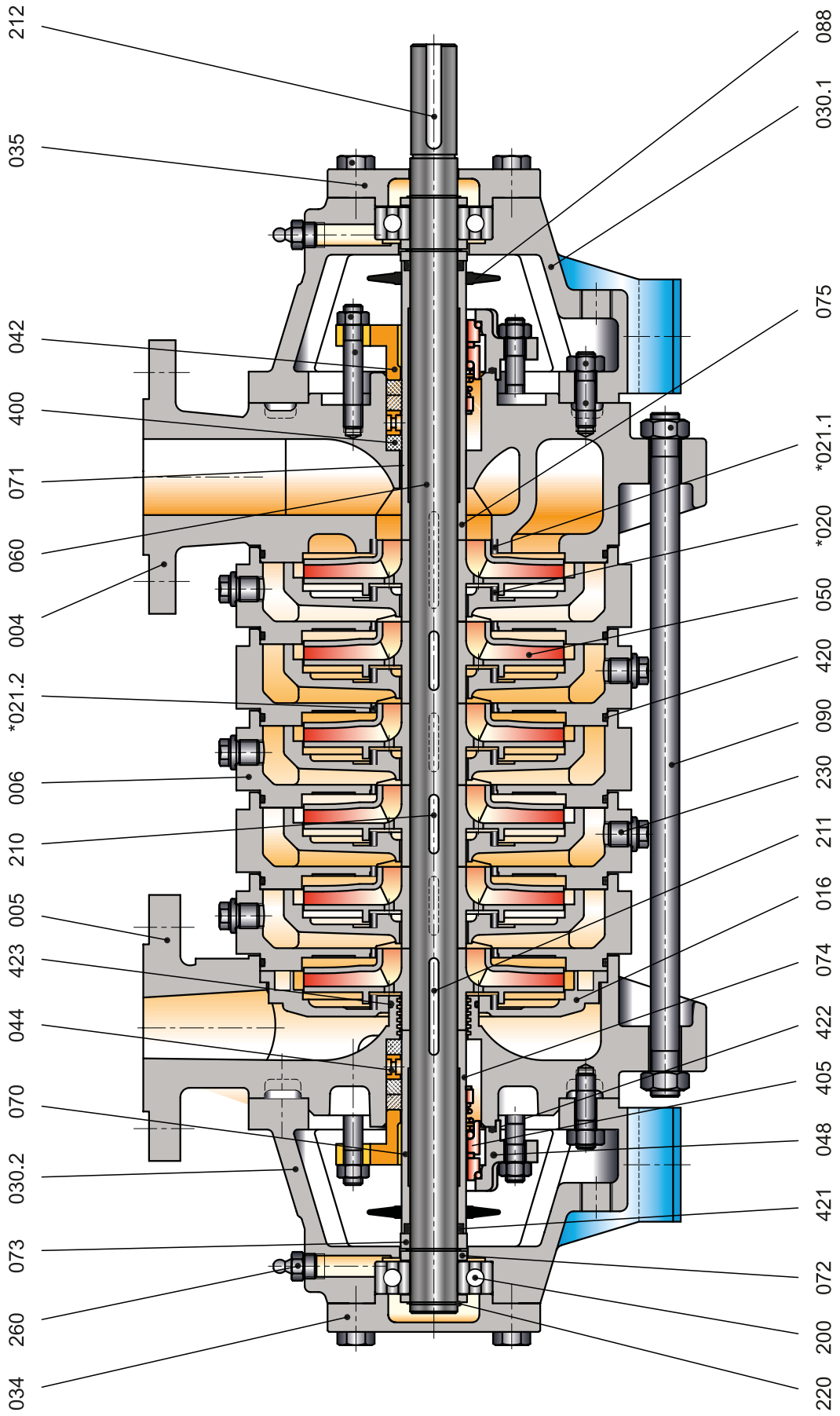
### Shaft Sealing

- In standard production soft packing application is applied up to 110 °C. Between 110 °C and 140 °C soft packing may also applied together with the stuffing box cooling.
- Pumps with mechanical seal can also be manufactured upon request.

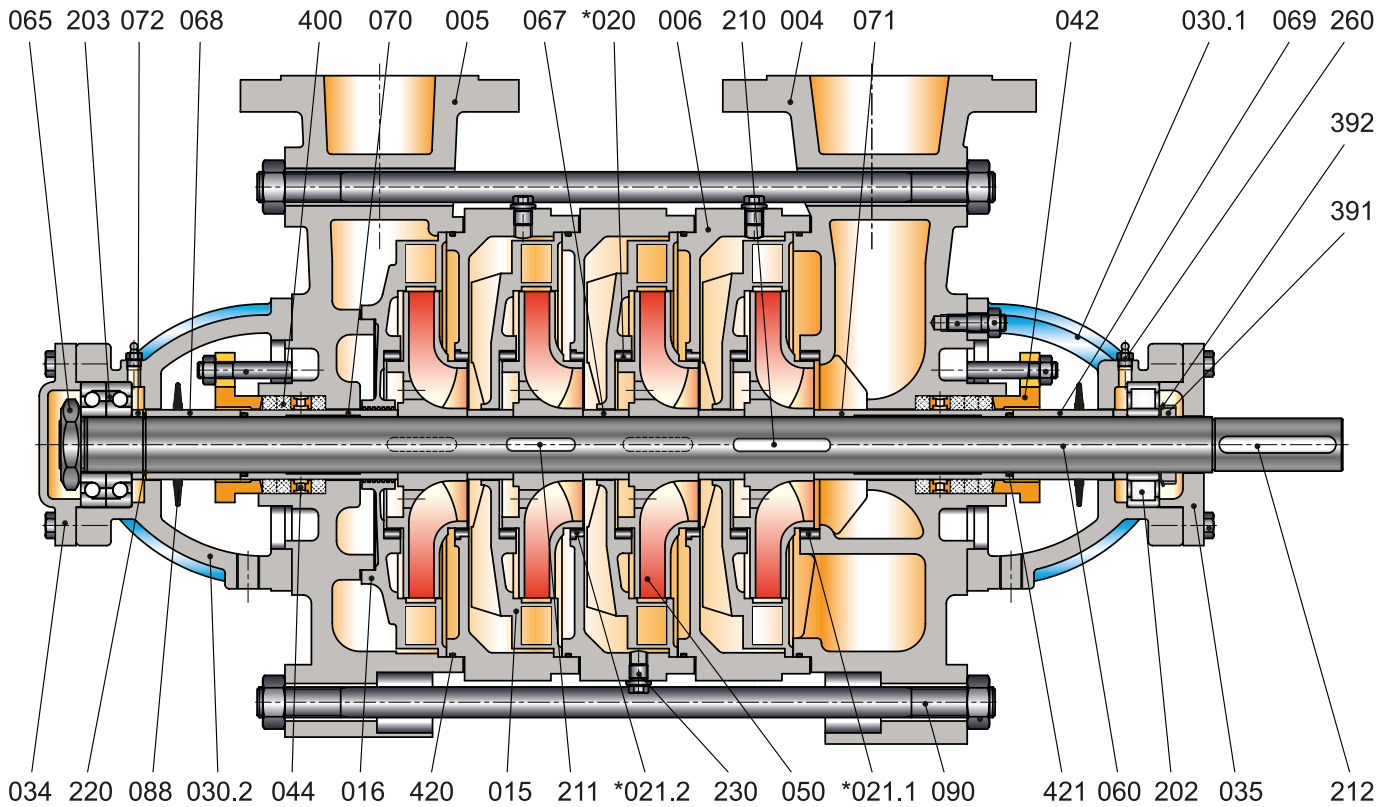




Heavy Duty Design



SKM - 80 - 100 - 125 - 150 - 200 - 250 series

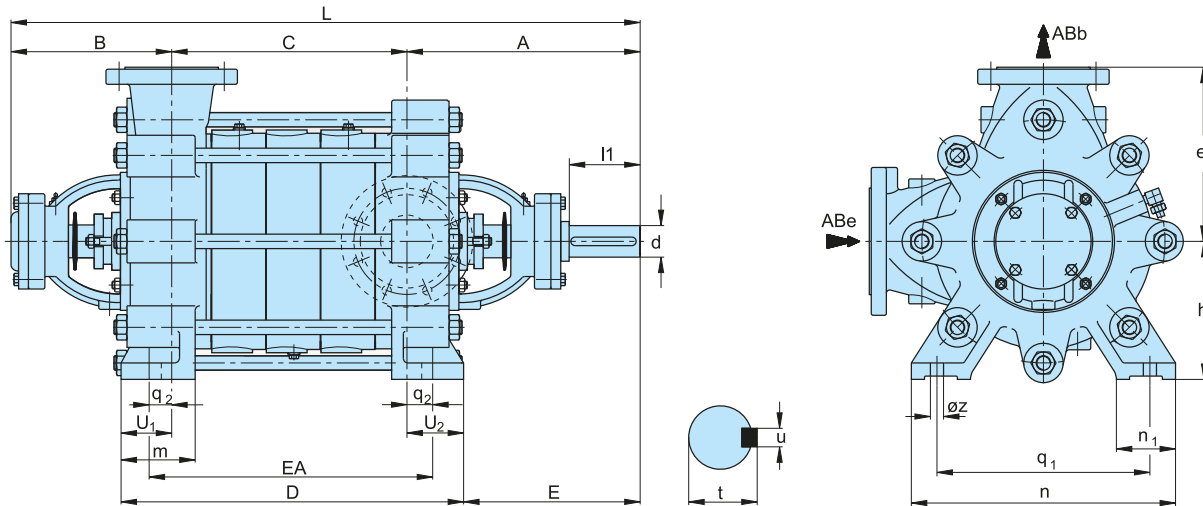


Part List

004	Suction Casing	072	Spacer Sleeve (discharge side)
005	Discharge Casing	073	Spacer Sleeve
006	Stage Casing	074	Mechanical Seal Sleeve (discharge)
015	Diffuser	075	Mechanical Seal Sleeve (suction)
016	Final Stage Diffuser	088	Thrower
*020	Wear Ring (stage casing)	090	Casing Tiebolt
*021.1	Wear Ring (suction casing)	200	Ball Bearing
*021.2	Wear Ring (stage casing)	202	Cylindrical Roller Bearing
030.1	Bearing Housing (suction casing)	203	Angular Contact Ball Bearing
030.2	Bearing Housing (discharge casing)	210	Impeller Key
034	Bearing End Cover	211	Stage Key
035	Bearing Cover (coupling side)	212	Coupling Key
042	Stuffing Box Gland	220	Retaining Ring
044	Lantern Ring	230	Drain Plug
048	Mechanical Seal Cover	260	Grease Nipple
050	Impeller	391	Shaft Nut
060	Shaft	392	Lock Washer
065	Shaft Nut	400	Stuffing Box Packing
067	Interstage Sleeve	*405	Mechanical Seal
068	Spacer Sleeve (discharge side)	420	O-Ring (stage casing)
069	Spacer Sleeve (suction side)	421	O-Ring (shaft protecting sleeve)
070	Shaft Protecting Sleeve (discharge side)	422	O-Ring (mechanical seal cover)
071	Shaft Protecting Sleeve (suction side)	423	O-Ring (discharge casing)

\* Optional

# Technical Data



“C” according to the number of stages (mm)

Pump Type	1	2	3	4	5	6	7	8	9	10	11	12	13	14	15
32	71	114	157	200	243	286	329	372	415	458	501	544	587	630	
40	78	133	188	243	298	353	408	463	518	573	628	683	738		
50	90	152	214	276	338	400	462	524	586	648	710	772			
65	107	178	249	320	391	462	533	604	675	746	817				
80	112	195	278	361	444	527	610	693	776	859	942	1025	1108	1191	1274
100	133	233	333	433	533	633	733	833	933	1033	1133	1233	1333	1433	1533
125	165	280	395	510	625	740	855	970	1085	1200	1315	1430			
150	218	363	508	653	798	943	1088	1233	1378	1523					
200	267	437	607	777	947	1117									
250		520	722	924											

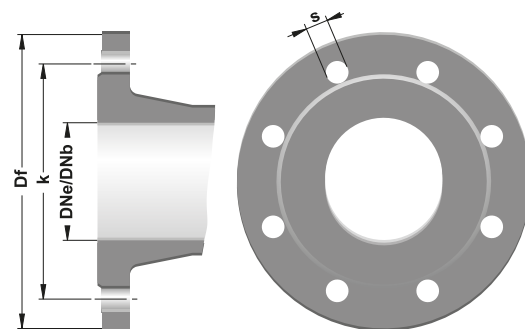
Pump Type	Dimensions (mm)																	
	ABe	ABb	A	B	EA	D	L	E	e	h	m	n	n1	q1	q2	øz	u1	u2
32	40	32	241	165	C+178	C+200	C+406	145	152	132	60	192	55	136	85	15	104	96
40	50	40	238	165	C+191	C+208	C+403	134	175	160	60	232	55	175	90	15	104	104
50	65	50	254	175	C+203	C+222	C+429	145	190	160	60	256	60	200	95	15	113	109
65	80	65	271	195	C+239	C+241	C+466	150	215	180	60	294	60	240	105	15	124	121
80	100	80	321	250	C+93	C+124	C+571	259	265	210	85	410	90	340	42	15	62	62
100	125	100	389	285	C+104	C+140	C+674	319	300	250	90	450	90	370	48	15	70	70
125	150	125	412	300	C+130	C+160	C+712	332	375	300	105	560	105	450	55	20	80	80
150	200	150	486	360	C+152	C+208	C+846	381	425	350	130	655	110	550	65	26	103	105
200	250	200	515	385	C+138	C+210	C+900	410	500	400	130	675	120	550	65	27	105	105
250	300	250	708	444	C+148	C+260	C+1152	577	627	472	155	775	150	625	74	32	130	129

Note: All rights reserved.

Heavy Duty Design

## Flange Dimensions

DNe / DNb	Suction (PN 16)				Discharge (PN 40)			
	Df	k	s	n	Df	k	s	n
32	140	100	19	4	140	100	19	4
40	150	110	19	4	150	110	19	4
50	165	125	19	4	165	125	19	4
65	185	145	19	4	185	145	19	8
80	200	160	19	8	200	160	19	8
100	220	180	19	8	235	190	23	8
125	250	210	19	8	270	220	28	8
150	285	240	23	8	300	250	28	8
200	340	295	23	12	375	320	31	12
250	405	355	28	12	450	385	34	12
300	460	410	28	12	515	450	34	16



"n" number of holes



## Technical Data

### Standard Application

Pump Type	Shaft End				Weight (kg)	
	d1	l1	v	u	G1	g
32	24	60	27	8	44	6
40	24	60	27	8	58	9.5
50	28	65	31	8	89	13
65	32	65	35	10	92	20
80	38	80	41	10	128	26
100	42	110	45	12	177	42
125	48	110	51.5	14	330	75
150	55	110	59	16	580	120
200	70	140	74.5	20	920	200

Pump weight = G1 + (s x g) (s : number of stage)

### Heavy Duty Design

Pump Type	Shaft End				Weight (kg)	
	d1	l1	v	u	G1	g
65A	38	65	41	10	105	20
80	42	80	45	12	146	26
100	48	110	51.5	14	205	42
125	55	110	59	16	370	75
150	65	110	69	18	630	120
200	70	140	74.5	20	945	200
250	100	220	106	28	1250	320

Pump weight = G1 + (s x g) (s : number of stage)

### Bearing Type

#### Standard Application

1450 rpm			
Pump Type	Number of Stages	Bearing Type	
		Suction	Discharge
32	2....14	6305	6305
40	2....13	6305	6305
50	2....12	6306	6306
65	2....11	6307	6307
80	2....11	NU 308	3308
100	2....9	NU 309	3309
125	2....7	NU 310	3310
150	2....5	NU 312	3312
200	2....3	NU 315	2x7315

#### 2900 rpm

Pump Type	Number of Stages	Bearing Type		Number of Stages	Bearing Type	
		Suction	Discharge		Suction	Discharge
32	2....9	6305	6305	10....13	NU 305	6405
40	2....6	6305	6305	7....12	NU 305	6405
50	2....5	6306	6306	6....10	NU 306	6406
65	2....4	6307	6307	5....7	NU 307	6407
80	2....4	NU 308	3308	-	-	-

#### Maximum number of stages according to Shaft material

Pump Type	1.4462 / 1.4021		1.4301 / 1.4401	
	1450 rpm	2900 rpm	1450 rpm	2900 rpm
32	14	13	14	13
40	13	12	13	7
50	12	10	12	7
65	11	7	11	5
80	11	4	11	3
100	9	N/A	6	N/A
125	7	N/A	4	N/A
150	5	N/A	3	N/A
200	3	N/A	3	N/A

#### Maximum number of stages according to Shaft material

Pump Type	1.4462 / 1.4021		1.4301 / 1.4401	
	1450 rpm	2900 rpm	1450 rpm	2900 rpm
65A	-	10	-	-
80	15	6	15	-
100	15	N/A	-	N/A
125	12	N/A	8	N/A
150	10	N/A	7	N/A
200	6	N/A	5	N/A
250	4	N/A	4	N/A

#### Heavy Duty Design

1450 rpm			
Pump Type	Number of Stages	Bearing Type	
		Suction	Discharge
80	11....15	NU 309	2 x 7309
100	9....15	NU 310	2 x 7310
125	8....12	NU 312	2 x 7312
150	6....10	NU 314	2 x 7314
200	4....6	NU 316	2 x 7316
250	2....4	NU 321	2 x 7321

#### 2900 rpm

Pump Type	Number of Stages	Bearing Type	
		Suction	Discharge
65A	8....10	NU 308	2 x 7308
80	5....6	NU 309	2 x 7309

## Material Options

Part List	0.6025	0.7040	1.0619	1.4308	1.4309	1.4408	1.4409	1.4500	1.4517	1.4469	1.4317	2.1050.01	2.0975.01	1.0503	1.4021	1.4301	1.4306	1.4401	1.4404	1.4462	
Suction Casing	●	○		○	○	○	○	○	○	○	○	○									
Discharge Casing	●	○		○	○	○	○	○	○	○	○	○									
Stage Casing	●	○		○	○	○	○	○	○	○	○	○									
Diffuser	●	○	○	○	○	○	○	○	○	○	○	○	○								
Impeller	●	○	○	○	○	○	○	○	○	○	○	○	○								
Shaft															●	○	○	○	○	○	○
Bearing Housing	●	○																			
Wear Ring (casing)	○	○	○	○	○	○	○	○	○	○	○	○									
Spacer Sleeve												○		●	○	○	○	○	○	○	○
Shaft Protecting Sleeve												○		●	○	○	○	○	○	○	○
Interstage Sleeve												○		●	○	○	○	○	○	○	○

Mechanical Seal (\*)

EN 12756 / DIN 24960

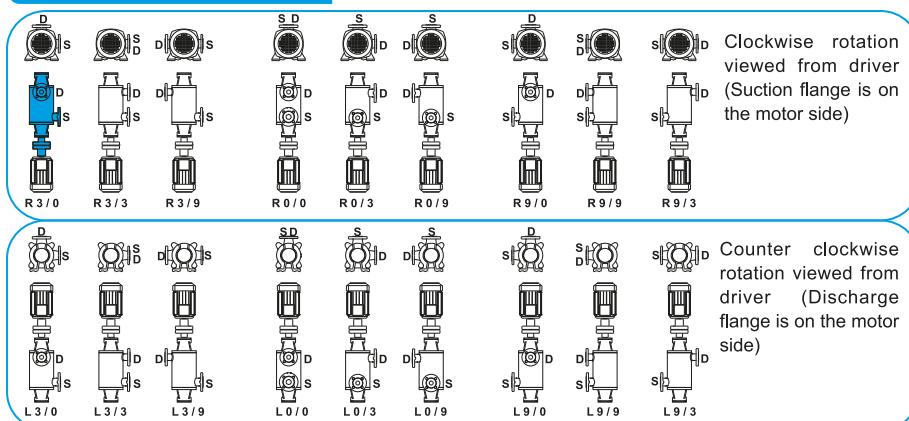
(\*) Optional : Depending on customer requirement or request different types and brands of mechanical seals are applicable.

● Standart manufacturing  
○ Optional

## Material Equivalents

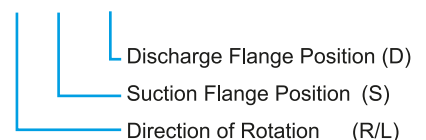
Description	DIN 17007	EN-DIN	ASTM
Cast iron	0.6025	GJL-250 (GG 25)	A 48 Class 40-B
Nodular cast iron	0.7040	GJS-400-15 (GGG 40)	A 536 Gr. 60-40-18
Cast steel	1.0619	GP240GH (GS-C 25)	A 216 Gr. WCB
Chrome nickel cast steel	1.4308	G-X5 Cr Ni 19-10	A 351/743/744 Gr. CF8
Chrome nickel cast steel (low carbon)	1.4309	G-X2 Cr Ni 19-11	A 351/743/744 Gr. CF3
Chrome nickel molybdenum cast steel	1.4408	G-X5 Cr Ni Mo 19-11-2	A 351/743/744 Gr. CF8M
Chrome nickel molybdenum cast steel (low carbon)	1.4409	G-X2 Cr Ni Mo 19-11-2	A 351/743/744 CF3M
Austenitic cast steel	1.4500	G-X7 Cr Ni Mo Cu Nb 25-20	A 351/743/744 (CN7M)
Austenitic-ferritic cast steel (duplex)	1.4517	G-X2 Cr Ni Mo Cu N 25-6-3-3	A 890 Gr. 1B (CD4MCuN)
Austenitic-ferritic cast steel (super duplex)	1.4469	G-X2 Cr Ni Mo N 26-7-4	A 890 Gr. 5A (CE3MN)
Martenzitic Stainless Cast Steel	1.4317	GX4 Cr Ni 13-4	A 351/743/744 (CA6NM)
Cast bronze (tin alloy)	2.1050.01	G-Cu Sn 10	B 584 C 90700
Cast bronze (nickel alloy)	2.0975.01	G-Cu Al 10 Ni	B 148 C 95800
Carbon steel	1.0503	C 45	A 29/108/576 1045
Chrome steel	1.4021	X20 Cr 13	A 276 Type 420
Chrome nickel steel	1.4301	X5 Cr Ni 18-10	A 276 Type 304
Chrome nickel steel (low carbon)	1.4306	X2 Cr Ni 19-11	A 276 Type 304L
Chrome nickel molybdenum steel	1.4401	X5 Cr Ni Mo 17-12-2	A 276 Type 316
Chrome nickel molybdenum steel (low carbon)	1.4404	X2 Cr Ni Mo 17-12-2	A 276 Type 316 L
Duplex (austenitic-ferritic) steel	1.4462	X2 Cr Ni Mo N 22-5-3	A 276 S 31803

## Flange Positions



## Explanation

R 3 / 0



Direction of rotation viewed from driver end  
R : Right  
L : Left