

SNL

IN-LINE PUMPS



Handled Liquids

Clean or slightly contaminated low viscosity liquids without solid & fibrous particles.

Technical Data

Suction & Discharge Flange — DN 40 DN 200 mm

Capacity _____ up to 500 m³/h

Head _____ up to 95 m

Speed _____ up to 2900 rpm

Motor Rating _____ up to 55 kW*

Operating Temperature _____ -10 °C' up to +110 °C**

Casing Pressure (Pmax) — 10 bar (16 bar) **

(Pmax : Suction Pressure + Shut off Head)

(*) Contact for 75 kW and 90 kW options

(**) The material of pumps differs according to the type of pumped liquid, operating temperature and pressure. Contact for detailed information

- Suction and discharge flanges conform to EN 1092 - 2 / PN 16
- SNL pumps are direct coupled with electric motors of IEC frame sizes with IE2 efficiency class (if requested IE3)
- All impellers are balanced dynamically according to ISO 1940 class 6.3.
- Axial thrust is balanced by impeller balancing holes system.
- Pump shaft is supported with motor bearings.
- Direction of rotation is clockwise viewed from driver.

Design Features

- Close-coupled, volute casing, single stage, in-line centrifugal pump with closed impeller.

Shaft Sealing

- Single mechanical seal, flushed by pumped liquid, uncooled and unbalanced.

Pump Designation

SNL 100 - 250

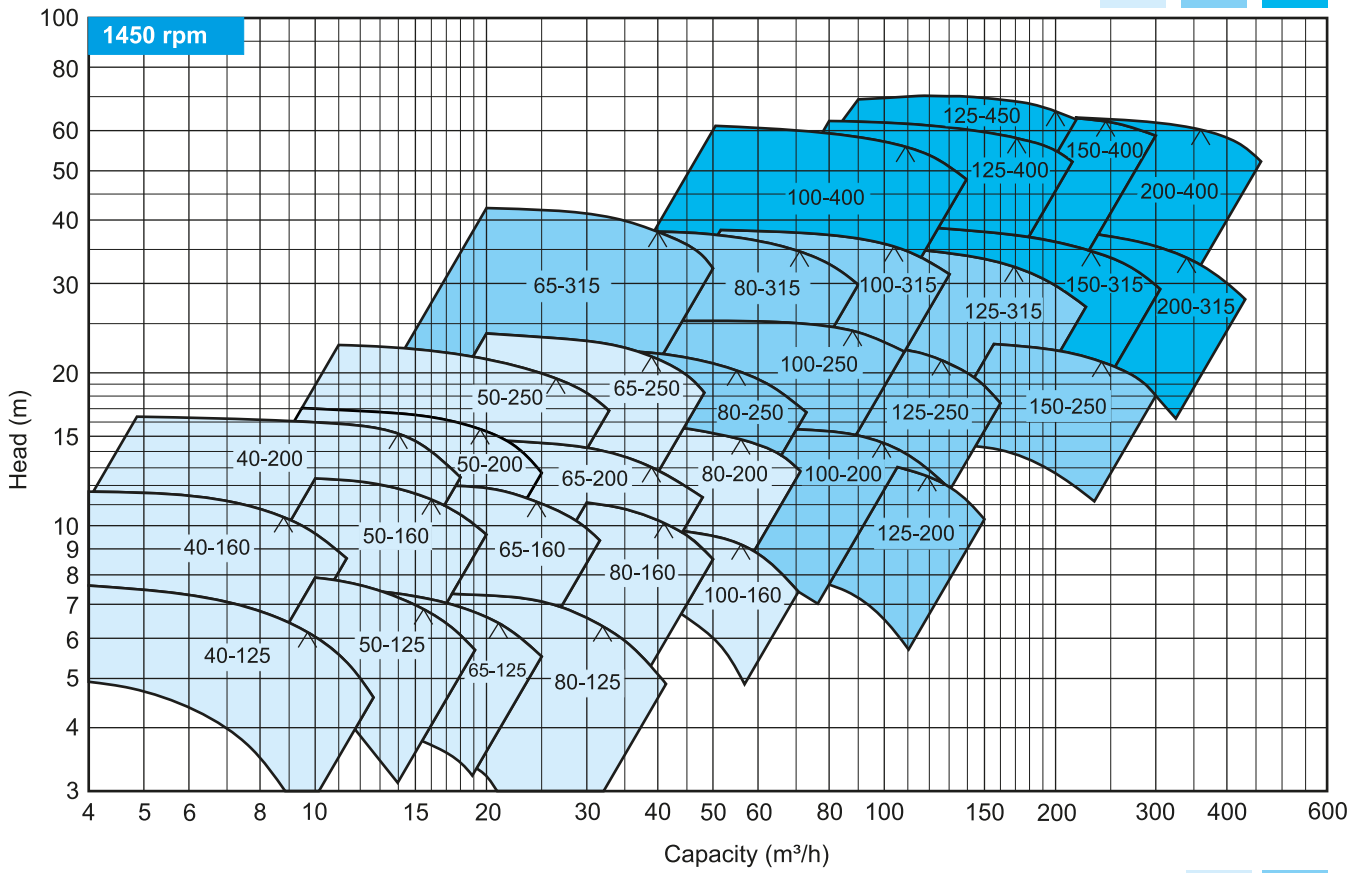
Pump Type _____

Suction and Discharge Nozzles (DN-mm) _____

Nominal Impeller Diameter (mm) _____

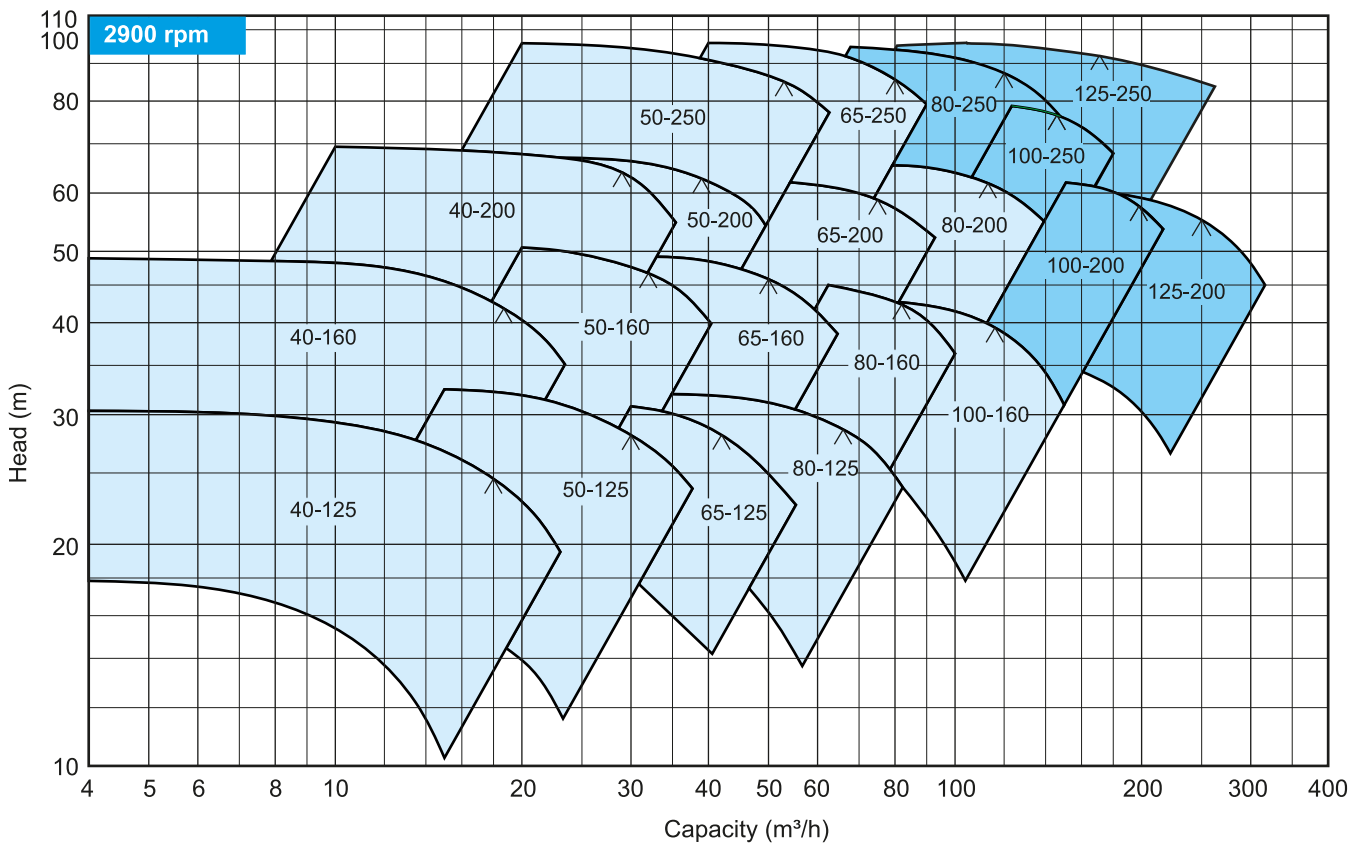
Grouped according to the shaft form

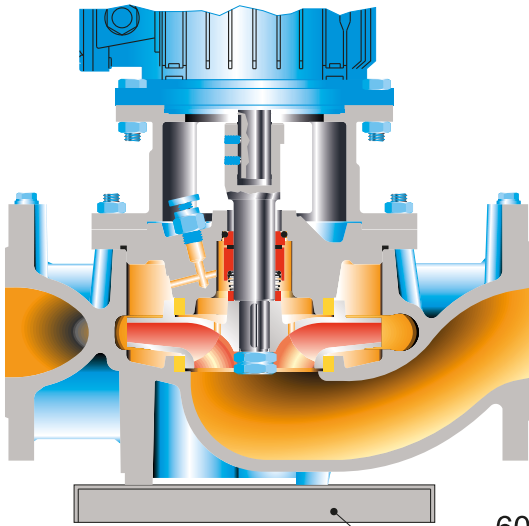
A B C



Grouped according to the shaft form

A B



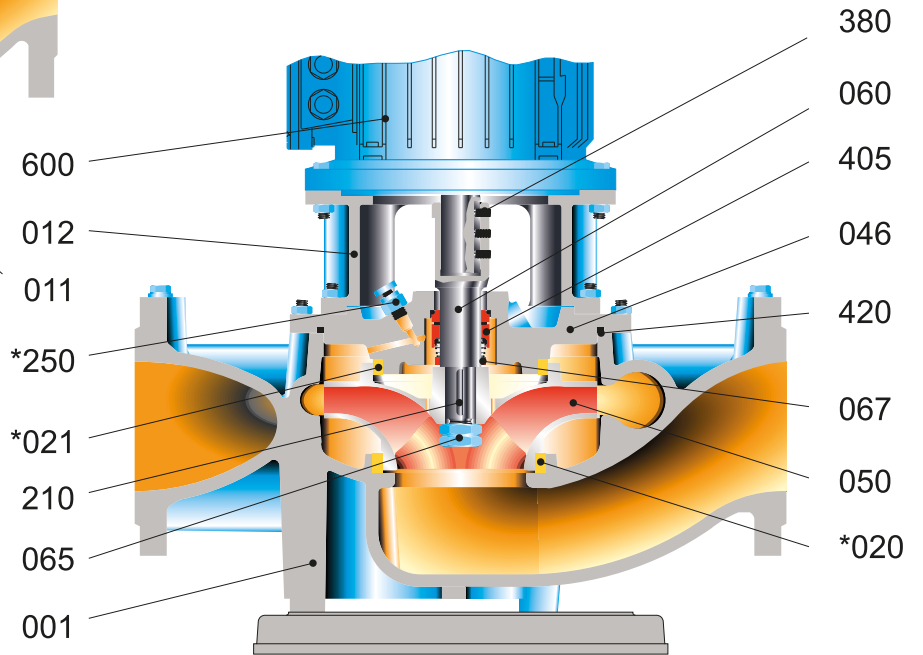


Form D1

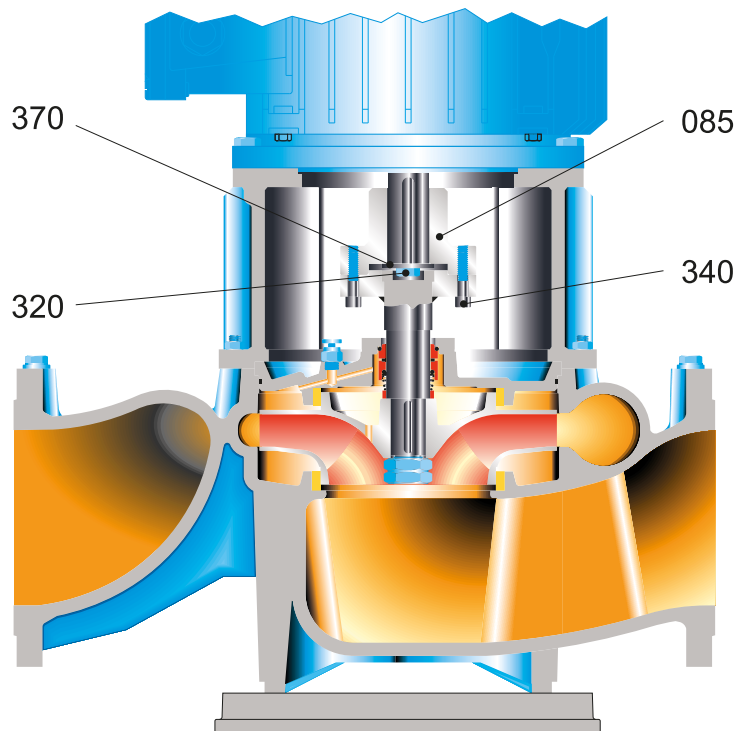
Part List

- 001 Volute Casing
- 011 Base Plate (Foot)
- 012 Motor Pedestal
- *020 Wear Ring (Casing)
- *021 Wear Ring (Casing Cover)
- 046 Casing Cover
- 050 Impeller
- 060 Pump Shaft
- 065 Impeller Nut
- 067 Spacer Sleeve
- 085 Rigid Coupling
- 210 Impeller Key
- *250 Air Vent Screw
- 320 Hex. Head Bolt
- 340 Allen Bolt
- 370 Washer
- 380 Set-screw
- 405 Mechanical Seal
- 420 O-Ring
- 600 Electric Motor

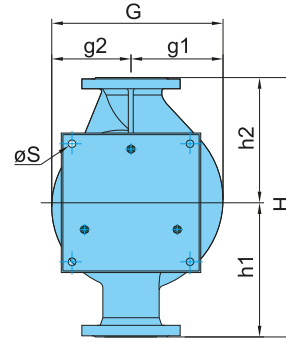
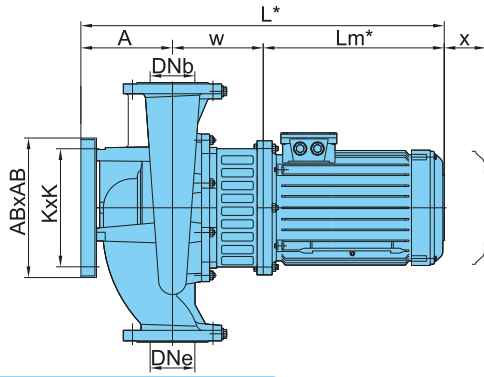
(*) Optional



Form D2



Form D3



2900 rpm (2 pole Motor)

PUMP TYPE	Form	MOTOR		DNe/DNb mm	DIMENSIONS (mm)								Base** plate	Weight* (kg)							
		kW	IEC		A	W	Lm*	L*	H	h1	h2	X			G	g1	g2	ABxAB	KxK	øS	
40-125	D1	1.1	80M	40	98	165	244	507	300	160	140	100	208	108	100	170	130	14	T0	36	
		1.5	90S				246	509												40	
		2.2	90L				266	529												42	
		3	100L				292	555												46	
40-160	D2	3	100L	40	98	165	292	555	340	180	160	100	236	122	114	200	160	14	T1	48	
		4	112M				336	599												54	
		5.5	132S				195	361												654	67
		4	112M				165	336												603	61
40-200	D2	5.5	132S	40	102	195	361	658	380	200	180	100	275	140	135	260	220	14	T2	81	
		7.5	132S				361	658												88	
		11	160M				239	476												817	92
		1.5	90S				246	524												43.5	
50-125	D1	2.2	90L	50	113	165	266	544	300	160	140	100	212	110	102	170	130	14	T0	46.5	
		3	100L				292	570												52	
		4	112M				336	614												60	
		5.5	132S				195	361												669	75
50-160	D2	7.5	132S	50	113	195	361	669	340	180	160	100	238	124	114	200	160	14	T1	81	
		11	160M				239	476												828	85
		3	100L				165	292												570	47.5
		4	112M				165	336												614	57
50-200	D2	5.5	132S	50	117	195	361	672	425	225	200	100	280	145	135	260	220	14	T2	85	
		7.5	132S				195	361												672	92
		11	160M				239	476												832	121
		15	160M				239	476												832	132
50-250	D2	11	160M	50	117	239	476	832	475	250	225	100	342	175	167	260	220	14	T2	135	
		15	160M				476	832												146	
		18.5	160L				476	832												155	
		22	180M				519	875												160	
65-125	D2	30	200L	65	125	239	555	919	475	250	225	125	342	175	167	320	270	18	T3	194	
		3	100L				292	590												52	
		4	112M				336	634												58	
		5.5	132S				195	361												689	79
65-160	D2	7.5	132S	65	137	195	361	689	340	180	160	100	222	120	102	200	160	14	T1	86	
		5.5	132S				361	693												84	
		7.5	132S				361	693												91	
		11	160M				239	476												852	98
65-200	D2	11	160M	65	137	239	476	852	475	250	225	100	315	162	153	260	220	14	T2	129	
		15	160M				476	852												140	
		18.5	160L				476	852												152	
		22	180M				519	895												181	
65-250	D2	15	160M	65	137	239	476	852	475	250	225	125	343	177	166	260	220	14	T2	144	
		18.5	160L				476	852												160	
		22	180M				519	895												175	
		30	200L				555	939												235	
80-125	D2	37	200L	80	153	165	555	939	380	200	180	125	252	138	114	320	270	18	T3	295	
		4	112M				336	654												66	
		5.5	132S				361	713												83	
		7.5	132S				361	713												90	
80-160	D2	11	160M	80	157	195	476	872	425	225	200	125	280	152	128	260	220	14	T2	100	
		15	160M				239	476												872	116
		11	160M				476	872												136	
		15	160M				476	872												148	
80-200	D2	18.5	160L	80	157	239	476	872	475	250	225	125	315	170	145	260	220	14	T2	151	
		11	160M				476	872												136	
		15	160M				476	872												143	
		18.5	160L				476	872												159	
		22	180M				519	915												189	
		30	200L				555	959												240	
80-200	D2	37	200L	80	165	239	555	959	475	250	225	125	315	170	145	320	270	18	T3	290	
		165	555				959	290													

Technical Data

2900 rpm (2 pole Motor)

PUMP TYPE	Form	MOTOR		DNe/DNb mm	DIMENSIONS (mm)														Base** plate	Weight* (kg)	
		kW	IEC		A	W	Lm*	L*	H	h1	h2	X	G	g1	g2	ABxAB	KxK	øS			
80-250	D2	22	180M	80	175	247	519	941	560	280	280	125	379	197	182	320	270	18	T3	190	
		30	200L																	983	250
		37	200L																	983	310
		45	225M																	1053	320
100-160	D2	55	250M	100	158	283	644	1102	475	250	225	140	292	162	130	260	220	14	T2	350	
		11	160M																	873	146
		15	160M																	873	175
		18.5	160L																	873	185
100-200	D2	22	180M	100	197	247	519	963	525	275	250	140	362	192	170	260	220	14	T3	201	
		30	200L																	1013	200
		37	200L																	1013	305
		45	225M																	1083	335
100-250	D3	37	200L	100	205	253	546	1004	580	300	280	140	384	206	178	320	270	18	T3	300	
		45	225M																	1083	326
		55	250M																	1132	346
		37	200L																	1053	315
125-200	D2	45	225M	125	220	278	625	1123	560	280	280	140	390	208	182	400	350	18	T4	345	
		55	250M																	1172	350
		45	225M																	1121	340
125-250	D3	277	625	125	220	307	644	1171	630	315	315	140	413	218	195	400	350	18	T4	360	
		307	644																	1171	360

1450 rpm (4 pole Motor)

40-125	D1	0.37	71M	40	98	165	223	486	300	160	140	100	208	108	100	170	130	14	T0	31		
		0.37	71M																	486	35	
40-160	D1	0.55	80M	40	98	165	244	507	340	180	160	100	236	122	114	170	130	14	T0	37		
		0.75	80M																	507	38,5	
40-200	D1	0.55	80M	40	98	165	244	507	380	200	180	100	275	140	135	200	160	14	T1	39		
		0.75	80M																	507	41	
50-125	D1	1.1	90S	50	113	165	246	509	300	160	140	100	212	110	102	170	130	14	T0	43,5		
		0.37	71M																	501	34	
		0.55	80M																	522	38,5	
		0.75	80M																	522	40	
50-160	D1	0.37	71M	50	113	165	223	501	340	180	160	100	238	124	114	170	130	14	T0	35		
		0.55	80M																	522	38	
		0.75	80M																	522	39,5	
		1.1	90S																	524	43	
50-200	D1	1.5	90L	50	113	165	266	544	425	225	200	100	280	145	135	200	160	14	T1	45		
		0.75	80M																	522	51	
		1.1	90S																	525	53	
		1.5	90L																	544	55	
50-250	D2	2.2	100L	50	117	165	292	570	475	250	225	100	342	175	167	260	220	14	T2	57		
		D1	1.5																	90L	548	63
		D2	2.2																	100L	574	67
65-125	D1	3	100L	65	137	165	292	574	475	250	225	100	342	175	167	260	220	14	T2	70		
		0.37	71M																	521	39	
		0.55	80M																	542	41	
		0.75	80M																	542	42,5	
65-160	D1	1.1	90S	65	133	165	246	544	380	200	180	100	252	136	116	200	160	14	T1	46,5		
		1.5	90L																	564	49	
		0.75	80M																	542	45	
		1.1	90S																	549	49	
65-200	D1	1.5	90L	65	137	165	266	569	475	250	225	100	315	162	153	260	220	14	T2	52		
		1.1	90S																	549	59	
		1.5	90L																	569	61	
		2.2	100L																	594	67	
65-250	D2	3	100L	65	137	165	292	594	475	250	225	125	343	177	166	260	220	14	T2	70		
		2.2	100L																	594	73	
		3	100L																	594	76	
		4	112M																	638	81	
65-315	D2	5.5	132S	65	170	202	361	700	560	280	280	125	418	216	202	400	350	18	T4	102		
		3	100L																	650	121	
		4	112M																	693	131	
		5.5	132S																	733	138	
80-125	D1	7.5	132M	80	153	165	203	361	560	280	280	125	418	216	202	400	350	18	T4	149		
		11	160M																	893	160	
		0.37	71M																	541	46	
		0.55	80M																	562	48	
80-160	D1	0.75	80M	80	153	165	244	562	380	200	180	125	252	138	114	200	160	14	T1	49,5		
		1.1	90S																	564	54	
		1.5	90L																	588	56	
		0.55	80M																	562	55	
80-250	D2	0.75	80M	80	153	165	244	562	425	225	200	125	280	152	128	200	160	14	T1	57		
		1.1	90S																	564	59	
		1.5	90L																	584	61	
80-315	D2	2.2	100L	80	153	165	292	610	630	315	315	140	413	218	195	400	350	18	T4	65		
		2.2	100L																	610	65	

1450 rpm (4 pole Motor)

PUMP TYPE	Form	MOTOR		DNe/DNb mm	DIMENSIONS (mm)											Base** plate	Weight* (kg)				
		kW	IEC		A	W	Lm*	L*	H	h1	h2	X	G	g1	g2			ABxAB	KxK	øS	
80-200	D1	1.1	90S	80	157	165	246	569	475	250	225	125	315	170	145	260	220	14	T2	63	
		1.5	90L				266	589												66	
		2.2	100L				292	614												70	
		3	100L				292	614												73	
		4	112M				336	658												76	
80-250	D2	2.2	100L	80	175	188	292	620	560	280	280	125	379	197	182	320	270	18	T3	88	
		3	100L				292	620												91	
		4	112M				336	699												108	
		5.5	132S				203	396												739	128
80-315	D2	5.5	132S	80	190	203	361	753	595	315	280	140	425	220	205	400	350	18	T4	160	
		7.5	132M				361	753												168	
		11	160M				476	913												205	
		15	160L				476	913												245	
100-160	D1	1.5	90L	100	158	165	266	589	475	250	225	140	292	162	130	260	220	14	T2	65	
		2.2	100L				292	615												70	
		3	100L				292	615												73	
100-200	D2	3	100L	100	197	188	292	677	525	275	250	140	362	192	170	260	220	14	T2	92	
		4	112M				336	720												96	
		5.5	132S				203	361												761	121
		7.5	132S				203	361												761	132
		4	112M				188	336												729	120
100-250	D2	5.5	132S	100	205	205	361	771	580	300	280	140	384	206	178	320	270	18	T3	136	
		7.5	132M				361	771												146	
		11	160M				248	476												929	174
		7.5	132M				205	361												765	178
100-315	D2	11	160M	100	200	250	476	926	670	355	315	140	455	240	215	400	350	18	T4	178	
		15	160L				476	926												225	
		18.5	180M				519	969												240	
		15	160L				476	921												253	
100-400	D3	18.5	180M	100	190	255	519	964	800	400	400	160	558	288	270	400	350	18	T4	270	
		22	180L				519	964												293	
		30	200L				555	1000												307	
		37	225S				300	625												1115	356
		3	100L				292	725												403	
		4	112M				336	768												416	
125-200	D2	5.5	132S	125	220	213	361	809	560	280	280	140	390	208	182	400	350	18	T4	116	
		7.5	132M				361	809												123	
		5.5	132S				228	361												809	148
		7.5	132M				228	363												811	159
		11	160M				272	476												968	169
125-250	D2	15	160L	125	220	272	476	968	630	315	315	140	413	218	195	400	350	18	T4	198	
		11	160M				476	956												213	
		15	160L				476	956												233	
		18.5	180M				519	999												273	
125-315	D2	22	180L	125	200	280	519	999	710	355	355	140	488	258	230	400	350	18	T4	292	
		30	200L				555	1035												324	
		22	180L				519	999												336	
		30	200L				555	1035												385	
125-400	D2	37	225S	125	200	325	625	1150	800	400	400	160	562	292	270	400	350	18	T4	432	
		45	225M				625	1150												469	
		45	225M				625	1155												574	
125-450	D3	55	250M	125	205	325	644	1174	850	425	425	160	613	316	297	440	380	23	T5	594	
		11	160M				476	1000												262	
150-250	D2	15	160L	150	220	304	476	1000	710	355	355	140	474	254	220	400	350	18	T4*	276	
		18.5	180M				519	1043												294	
		22	180L				519	1043												315	
		15	160L				476	1016												290	
150-315	D2	18.5	180M	150	225	315	519	1059	710	355	355	160	548	290	258	440	380	23	T5	319	
		22	180L				519	1059												327	
		30	200L				555	1095												376	
		37	225S				360	625												1210	423
150-400	D3	37	225S	150	225	360	625	1210	800	400	400	160	604	314	290	440	380	23	T5	483	
		45	225M				625	1210												520	
		55	250M				644	1229												540	
200-315	D2	18.5	180M	200	245	355	519	1119	800	350	450	160	547	295	252	440	380	23	T5	384	
		22	180L				519	1119												392	
		30	200L				555	1155												441	
		37	225S				625	1255												488	
200-400	D3	45	225M	200	245	385	625	1255	900	400	500	160	618	328	290	440	380	23	T5	522	
		47	225S				625	1270												493	
		55	250M				625	1270												527	
							644	1289												550	

1- (*) Dimensions and weights may change according to motor brand.

2- (**) Optional

3- Rights reserved to change without notice.

4- Base plate(foot) may differ for marine sector. Please consult to sales depertmant for more information.

Technical Data

Material Options

Part List	0.6025	0.7040	1.0619	1.4308	1.4309	1.4408	1.4409	1.4317	2.1050.01	2.0975.01	1.4021	1.4301	1.4306	1.4401	1.4404
Volute Casing	●	○	○	○	○	○	○	○	○	○					
Casing Cover	●	○	○	○	○	○	○	○	○	○					
Impeller	●	○	○	○	○	○	○	○	○	○					
Shaft											●	○	○	○	○
Motor Pedestal	●	○													
Wear Ring (casing)	○	○	○	○	○	○	○	○	○	○					
Mechanical Seal (*)	EN 12756 / DIN 24960														

● Standard manufacturing
○ Optinal

(*) Optional: Depending on customer request, different types and brands of mechanical seals are applicable.

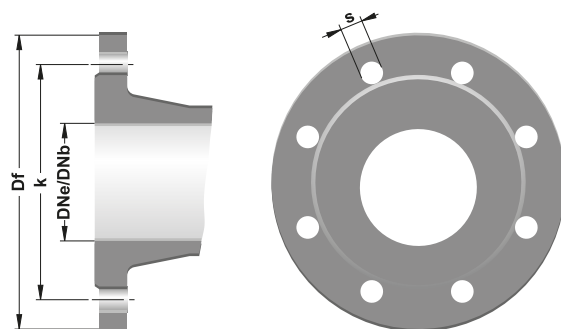
Material Equivalents

Descriptions	DIN 17007	EN-DIN	ASTM
Cast Iron	0.6025	GJL-250 (GG 25)	A 48 Class 40-B
Noduler Cast Iron	0.7040	GJS-400-15 (GGG 40)	A 536 Gr. 60-40-18
Cast Steel	1.0619	GP240GH (GS-C 25)	A 216 Gr. WCB
Chrome nickel cast steel	1.4308	G-X5 Cr Ni 19-10	A 351/743/744 Gr. CF8
Chrome nickel cast steel (low carbon)	1.4309	G-X2 Cr Ni 19-11	A 351/743/744 Gr. CF3
Chrome nickel molybdenum cast steel	1.4408	G-X5 Cr Ni Mo 19-11-2	A 351/743/744 Gr. CF8M
Chrome nickel molybdenum cast steel (low carbon)	1.4409	G-X2 Cr Ni Mo 19-11-2	A 351/743/744 CF3M
Martenzitic Stainless Cast Steel	1.4317	GX4 Cr Ni 13-4	A 351/743/744 (CA6NM)
Cast bronze (tin alloy)	2.1050.01	G-Cu Sn 10	B 584 C 90700
Cast bronze (nickel alloy)	2.0975.01	G-Cu Al 10 Ni	B 148 C 95800
Chrome steel	1.4021	X20 Cr 13	A 276 Type 420
Chrome nickel steel	1.4301	X5 Cr Ni 18-10	A 276 Type 304
Chrome nickel steel (low carbon)	1.4306	X2 Cr Ni 19-11	A 276 Type 304L
Chrome nickel molybdenum steel	1.4401	X5 Cr Ni Mo 17-12-2	A 276 Type 316
Chrome nickel molybdenum steel (low carbon)	1.4404	X2 Cr Ni Mo 17-12-2	A 276 Type 316 L

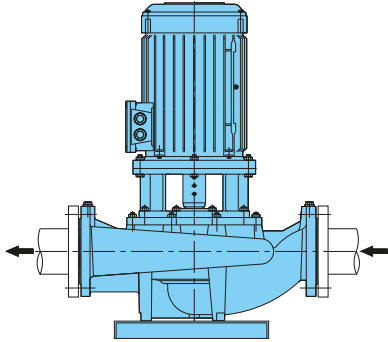
Flange Dimensions

DNe / DNb	Suction & Discharge (PN 16)			
	Df	k	s	n
40	150	110	19	4
50	165	125	19	4
65	185	145	19	4
80	200	160	19	8
100	220	180	19	8
125	250	210	19	8
150	285	240	23	8
200	340	295	23	12

" n " number of holes

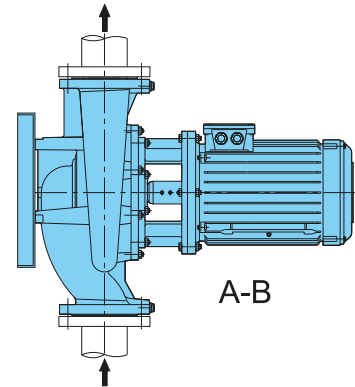


Installation Arrangements



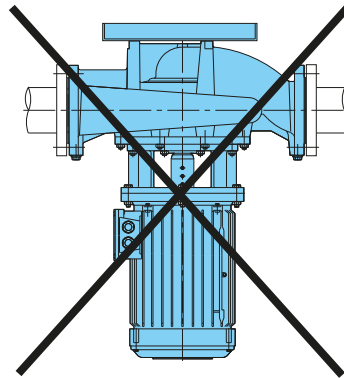
A-B-C

Standard installation type to horizontal pipe.
(on ground)



A-B

Please consult to Standart Pompa
incase of installation to vertical pipes.



The axis of motor below the horizontal
line is not admissible.

Note : A, B and C represent the groups in the field chart.